

Construction

Fixture housing is made of formed, cold rolled sheet steel. Dome shaped interior fixture housing.

Fixture Body Finish

Low-gloss, Easy-White finish (Tiger Drylac 449/11707 smooth flat) is standard, with custom colors available.

Fixture Carriage and Reflector

Carriage houses two 55-watt lamps. Reflectors are of formed aluminum sheet metal construction, featuring 97% reflectance.

Ballast

Ballasts are available in switched or in a variety of dimmable configurations. All ballasts are high-frequency electronic, with a Power Factor > .97, THD, 10% and a Class A sound rating. Ballasts are in the fixture housing. Power and control inputs are from the side.

Lamps

This Brightline fixture uses 55-watt compact fluorescent lamps, available in a variety of color temperatures and CRI ratings (see the Fixture Accessories and lamps datasheet for details). Studioline and Cinema Series lamps are optimized specifically for video camera applications.

Articulation

Rotate: Fixture carriage mounted on a sliding bracket allows for greater range of angular movement (+/- 50 degrees) on a single axis.

Motorized: Fixtures with motorized articulation are available with angular movement (+/- 50 degrees) on a single axis.

Accessories

A variety of control screens are available to shape the light beam pattern (see the Fixture Accessory and Lamps datasheet for details). White finish screens are standard, with black finish as an option. Prismatic lenses are available.

Fixture Dimensions and Weight

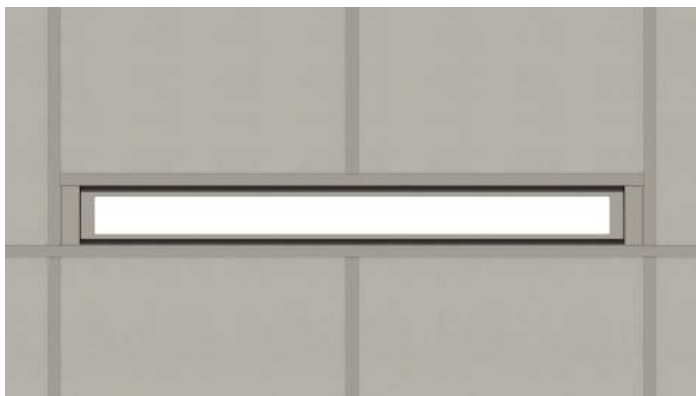
Inch: 47.75- x 5.75- x 5.37-in
(1212.85- x 146.10- x 136.45-mm)

Metric: 1195- x 145- x 136.45-mm
(47.05- x 5.71- x 5.37-in)

Fixture Weight: 21-lb (15.9-kg)

Electrical Certifications

UL, cUL, and CCEA* approved.



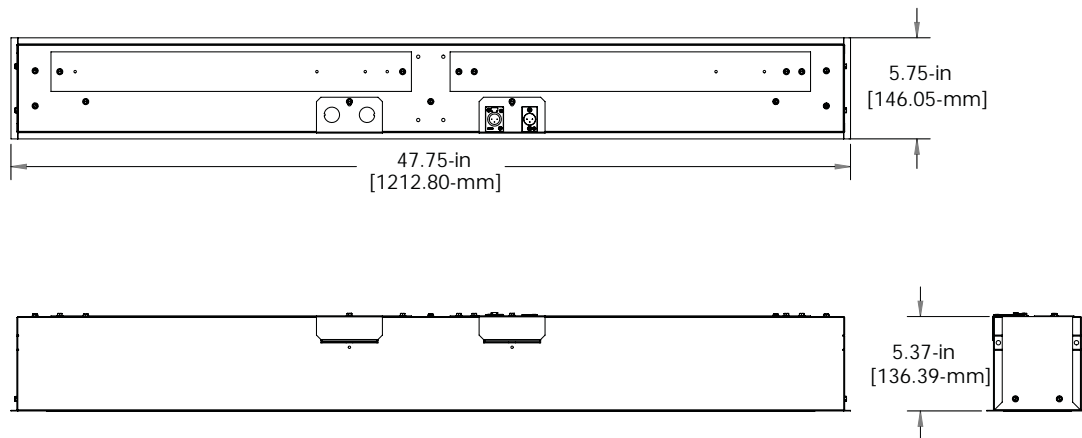
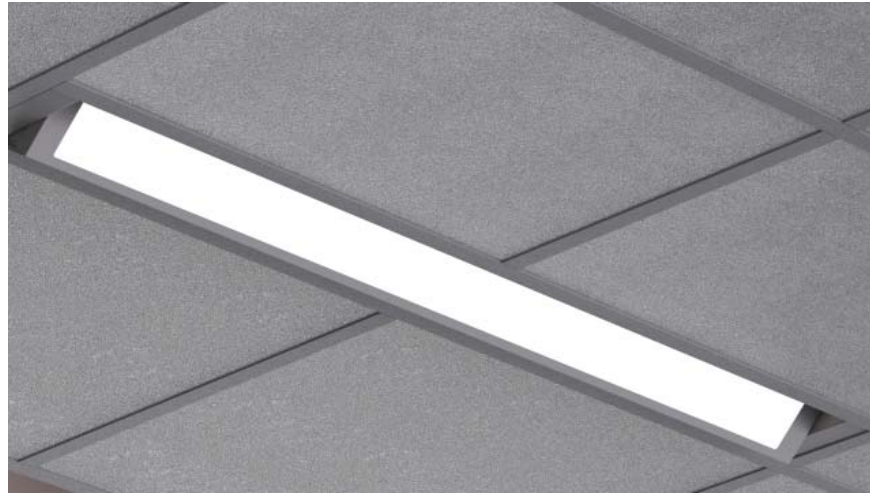
| Shipping Information |
|-------------------------------|
| Length: 48.50-in (1231.90-mm) |
| Width: 8.75-in (222.25-mm) |
| Height: 8.25-in (209.55-mm) |
| Weight: 23-lb (6.5-kg) |

*Note: CCEA certification provided by request; additional charges may apply.

US Patent No. 6,517,216. Other US and foreign patents pending.

580 Mayer Street - Building # 7 - Bridgeville, PA 15017 USA

Phone: 1.412.206.0106 - Fax: 1.412.206.0146



| | | | | | | | | | |
|----------------|------------------------------|---------------------|----------------|-----------------------|---------------------|-----------|-------------|---|----------------------|
| MT | | | | - | | - | | - | |
| | Length | Ballast Type | Voltage | | Articulation | | Size | | Certification |
| Micro-T | 2 = 2-Foot Fixture (595-mm) | A = 0 - 10V | 1 = 120V | R = Rotate & Contrast | I = Inch | PR = CCEA | | | |
| | 4 = 4-Foot Fixture (1195-mm) | E = Ecosystem | 2 = 230V | M = Motorized Rotate | M = Metric | | | | |
| | | P = Phase | 7 = 277V | | | | | | |
| | | N = Non-Dim | | | | | | | |
| | X = Digital | | | | | | | | |

Note: Phase-Dim Ballasts are not available in 230V.

Note: Custom Finish is available. Add a "-CF" to the end of the part number.

Note: Fixtures require Control Screens and Lamps; see Fixture Accessories and Lamps datasheet for options.

Note: CCEA Fixtures will have bare leads for control and power; all control cable to be provided by contractor.

580 Mayer Street - Building # 7 - Bridgeville, PA 15017 USA

Phone: 1.412.206.0106 - Fax: 1.412.206.0146