

# QuickClick



## Fast, safe & functional!

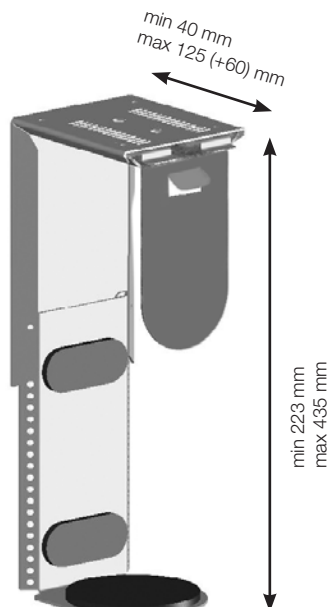
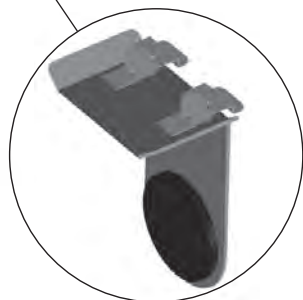
Elegant design and safe use for vertical assembly of small, medium and slim computers. QuickClick is adjusted very easily using the quick-lock "Ratchet Control", for absolutely secure locking.  
 Dimensions: Width min/max 40-125 mm, Height min/max 225-435 mm. Expansion Rail included for increased width to 185 mm.



Add a LiftSystem Sleigh, rotates 360° (427-WA15) and LiftSystem Rail (430-WA11) for slideable use.



Easy, unique and safe width adjustment.



### SPECIFICATIONS

- Made for the new generation computers.
  - Quick-lock "Ratchet Control"
  - Requires no extra assembly
  - Firm design
  - Premounted rubber pads
  - Registered design  
RCD 001785353
  - 427-1203 Silver  
427-1203W White  
427-1203B Black
- Accessories
- |          |                                   |
|----------|-----------------------------------|
| 427-WA15 | LiftSystem Sleigh                 |
| 430-WA11 | LiftSystem Rail,<br>length 400 mm |