


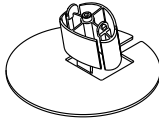


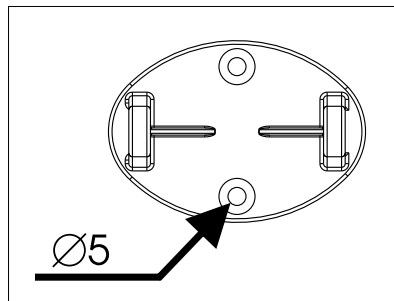
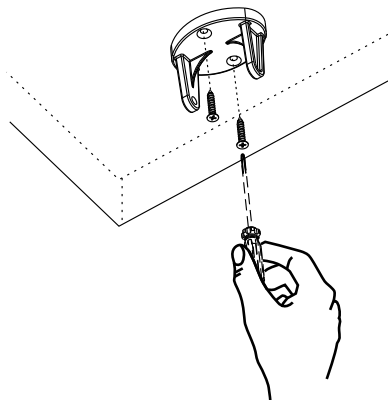
Cable Pipe, hanging

Stylish and practical cable tube. Can easily be shortened and extended up to 1252 mm. Each small duct adds about 56 mm to the length.

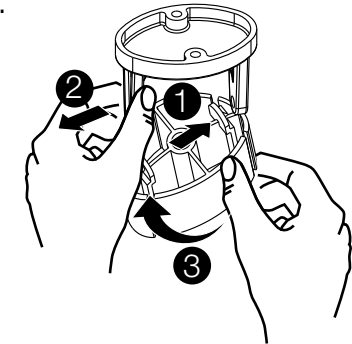
Part Check-List

①		x1	③		x1
②		x2	④		x1

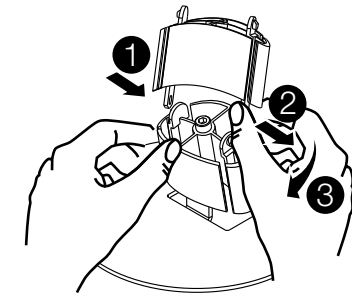
- 1** Fix the top bracket① under the desk using the screws② and a screwdriver (not provided). Take note that the table thickness is recommended to be thicker than 20 mm.



- 2** Begin to assemble the cable ducts③ to the top bracket①. Examine the picture below to properly connect them together. Continue until all of them are assembled.



- 3** Using the same method, connect the assembly to the weighted bottom unit④.



- 4** Organize and route the cables through the cable ducts③ four channels. If needed, remove the cable duct assembly from top bracket① and bottom unit④ to facilitate the process.

