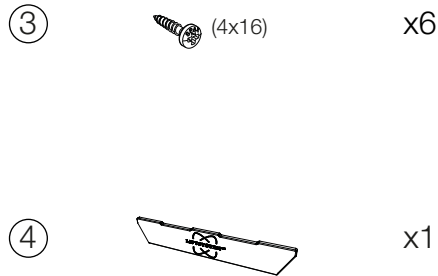
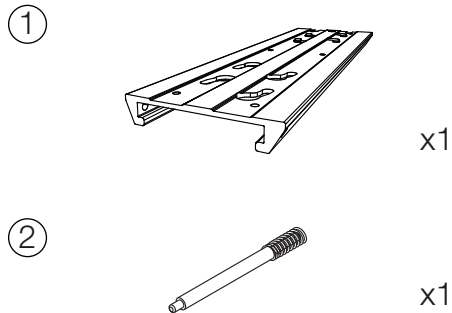


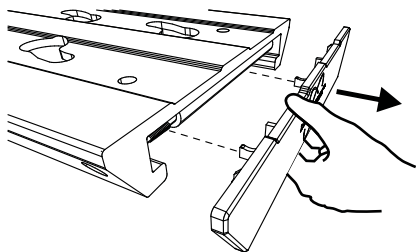
## Liftsystem Track

In order to achieve a correct mounting of LiftSystem Track, you are advised to read and follow the instructions step by step. If there are incomprehensible steps, please let us know and we will get back to you.

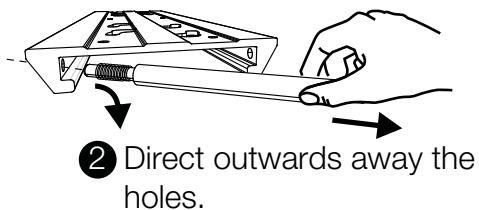
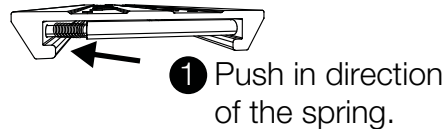
### Part Check-List



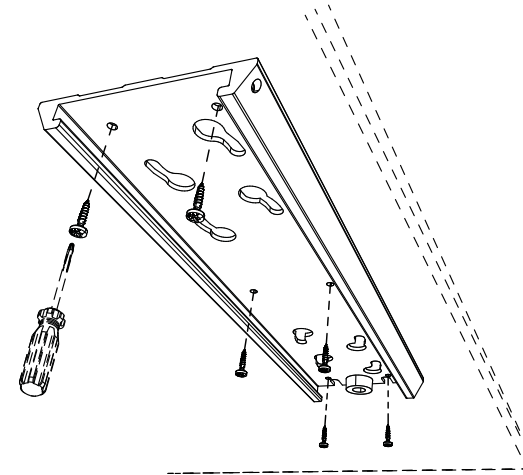
**1** Separate the LIFTSYSTEM™ cover **4** from the track **1** by simply gripping it from the bottom and pulling.



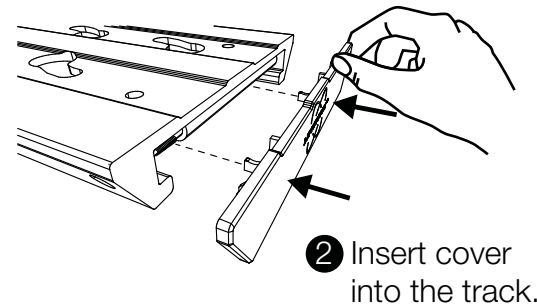
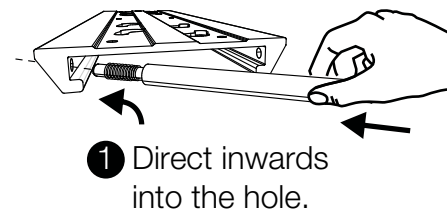
**2** Examine the illustration below and proceed with the removal of the spring pin **2**. Remove from holes in two steps:



**3** Position the track **1** to its planned position below the table and mount it using the screws **3**.



**4** Be sure to insert the sleigh module, (e.g Laptop holder), into the track, before putting the spring pin **2** and the LIFTSYSTEM™ cover **4** back to their respective positions.



**3** Done! The installation should be complete.

