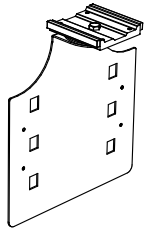


LiftSopi Recycling & Wastebin

In order to achieve a correct mounting of LiftSopi Recycling & Wastebin, you are advised to read and follow the instructions step by step. If there are incomprehensible steps, please let us know and we will get back to you.

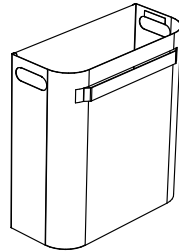
Part Check-List

①



x1

②



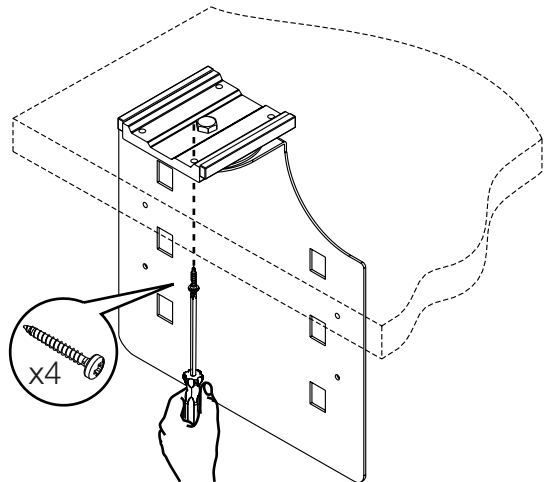
x1

③

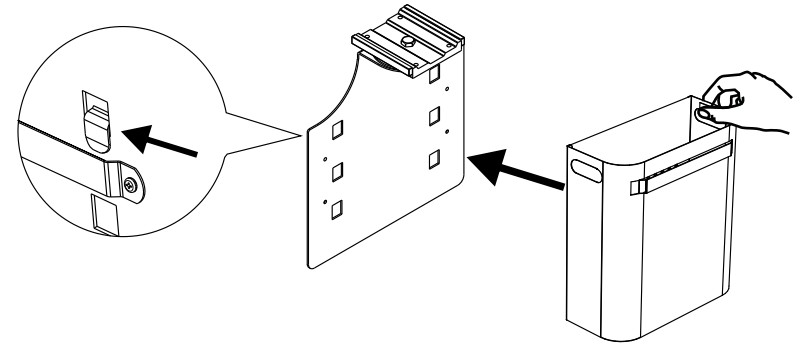


x4

- ① Position and mount the holder ① to the table using all wood screws ③.

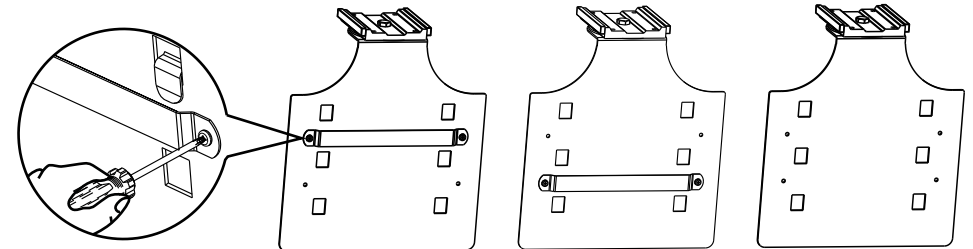


- ② Hook the waste bin ② to the uppermost slot of the hanger ① as seen in the illustration. The installation is then complete.



MODIFICATION

- The height of the waste bag holder can be adjusted to desired height, or completely removed.



ACCESSORIES

- To install SOPI Waste bags, simply hook it to the waste bag holder as seen below.

