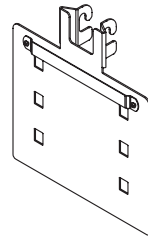


LU-22

Before assembly, please spend some time reading and follow the procedures step by step. Some panels are viewed differently from the exploded drawing below. This is for extra clarity.

Do not discard any of the packaging until you have checked all the parts and the package of fittings. If you are missing any of the parts, please contact the store from which you purchased your products. The staff will do their best to help you.

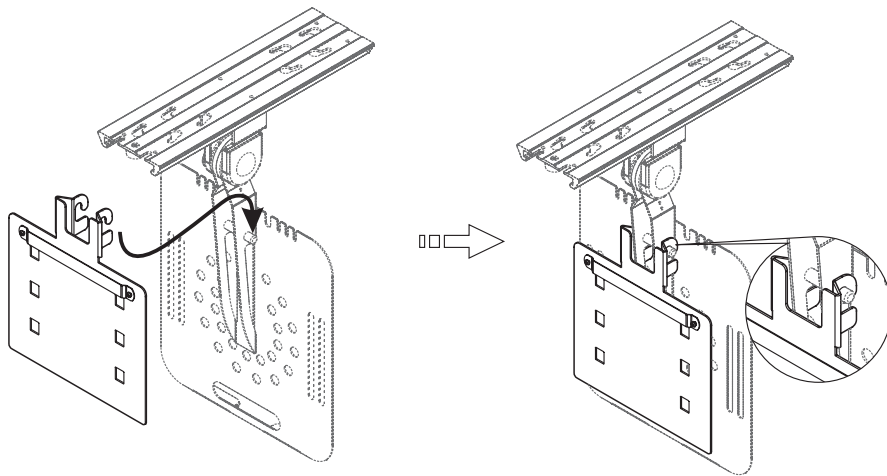
Check-List



X1

Assembly Guide

Step 1

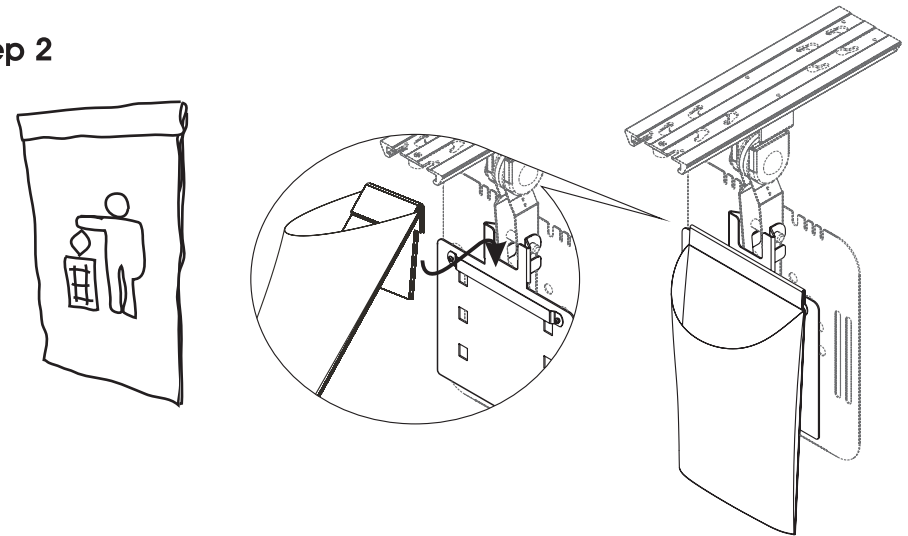


Caution:

Regular cleaning with a clean dry doth is usually sufficient, but for stubborn marks, wipe over gently with a clean damp doth. Never use strong detergents or abrasive cleaners as these may damage the surface finish of your furniture. There are many small components used in the construction of this unit. These loose items should be kept away from young children while assembling your unit.

Assembly Guide

Step 2



Step 3

