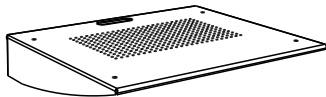


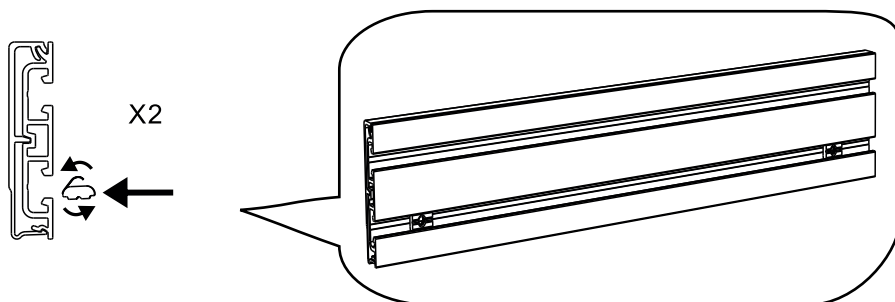


In order to achieve a correct mounting of Classic LapTop shelf, you are advised to read and follow the instructions step by step. If there are incomprehensible steps, please let us know and we will get back to you.

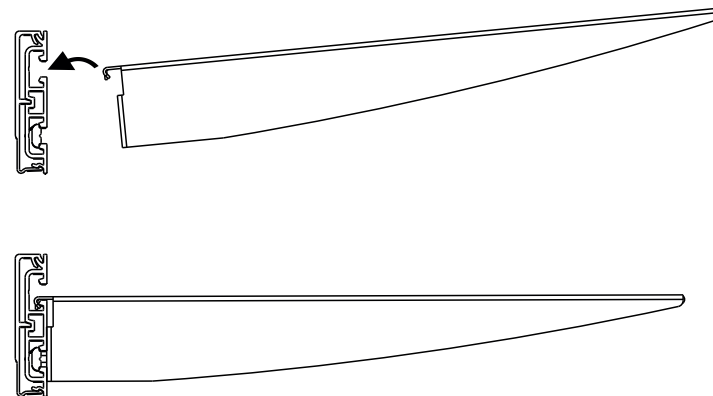
Part Check-List

1  X1	2  X2	3  (M6x10) X2
---	---	---

- 1** Place the sliding nuts **2** approximately 370 mm apart. Push them into the toolbar T-slot, then turn to make the spring face away from you.



- 2** Hook the shelf **1** to the upper toolbar T-slot. Leave hanging.



- 4** Align the screw holes of the sliding nuts **2** with each respective hole of the shelf **1**. Once aligned and hooked, mount the screws.

