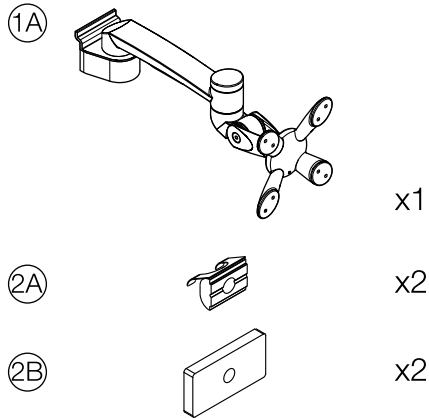


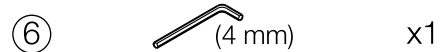
Monitor Arm LC18 for Conceptum
 In order to achieve a correct mounting of Monitor Arm LC18, you are advised to read and follow the instructions step by step. If there are incomprehensible steps, please let us know and we will get back to you.

Part Check-List

STEP 1



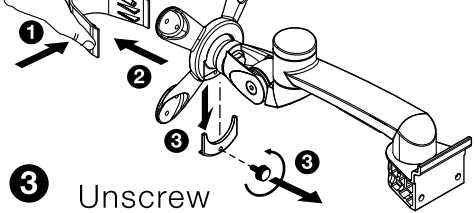
STEP 2



STEP 1

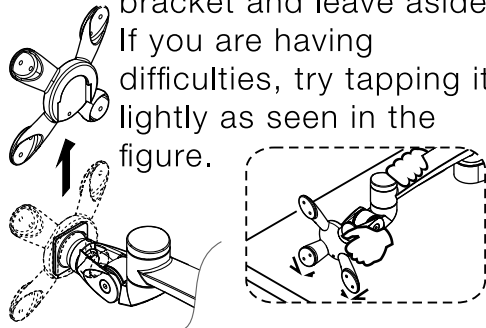
1 Grip firmly by the very ends of the cover.

2 Pull the cover off.



3 Unscrew knob and pull off the VESA-lock piece.

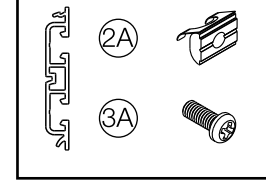
4 Release the VESA-bracket and leave aside. If you are having difficulties, try tapping it lightly as seen in the figure.



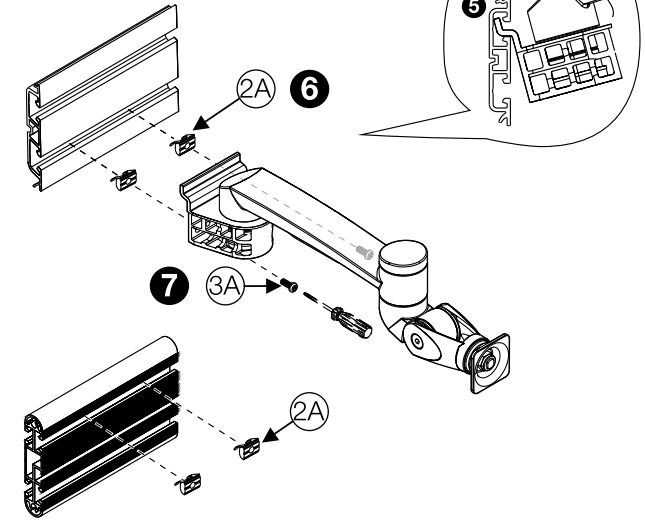
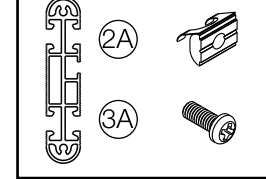
i Identify the correct nuts and screws using the boxes. Then, fixate the monitor arms to the desired position on the profile.

5 Hook the bracket into the track of your compatible aluminum profile.

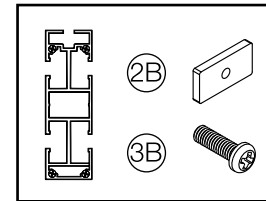
Conceptum M-Profile 436-MX



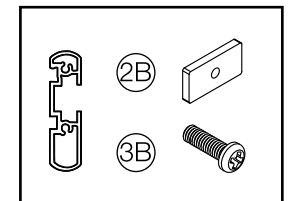
F-Profile 436-FX100



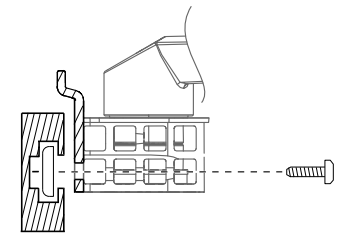
Other possible assemblies



Required nut is not included. Please come in contact with Kondator



Insert the nut with the blocky side towards yourself and the rounded side towards the aluminum profile for best grip (as illustrated to the left). Once inserted, make sure to center and align the components before fastening the screws (as illustrated to the right).

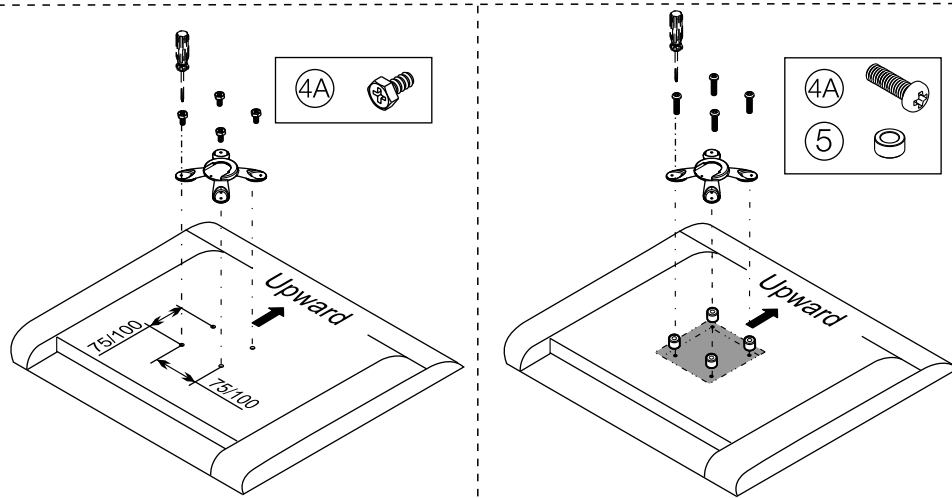
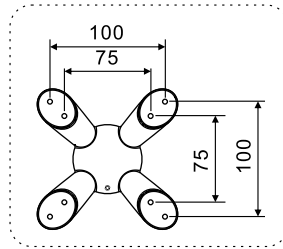


Assembly Guide

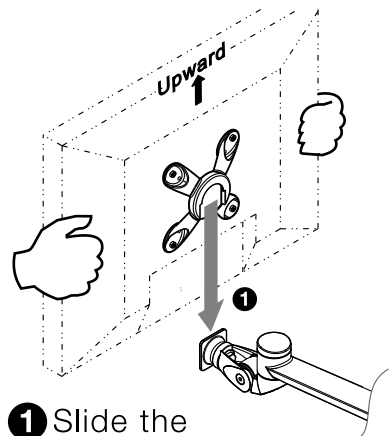
STEP 3

Place the monitor face down on a flat surface. Align the VESA plate holes with the holes on the back of the monitor. Attach using the correct screws for the desired monitor.

If the VESA mount fits with the monitor, proceed with the usage of (4A). In case it does not, assembly using the long screws (4B) and distance nuts (5). Secure the assembly with a screwdriver (not provided).



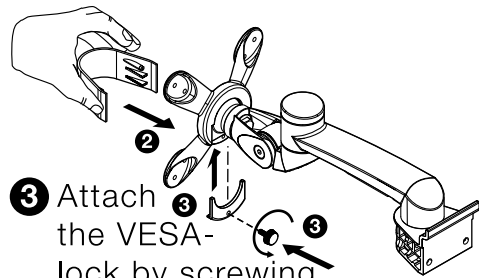
STEP 4



1 Slide the monitor onto the the arm.

2 Re-attach the cover to the bracket by sliding it on.

3 Attach the VESA-lock by screwing the knob back on.



www.kondator.se

Assembly Guide

Tension Adjustment

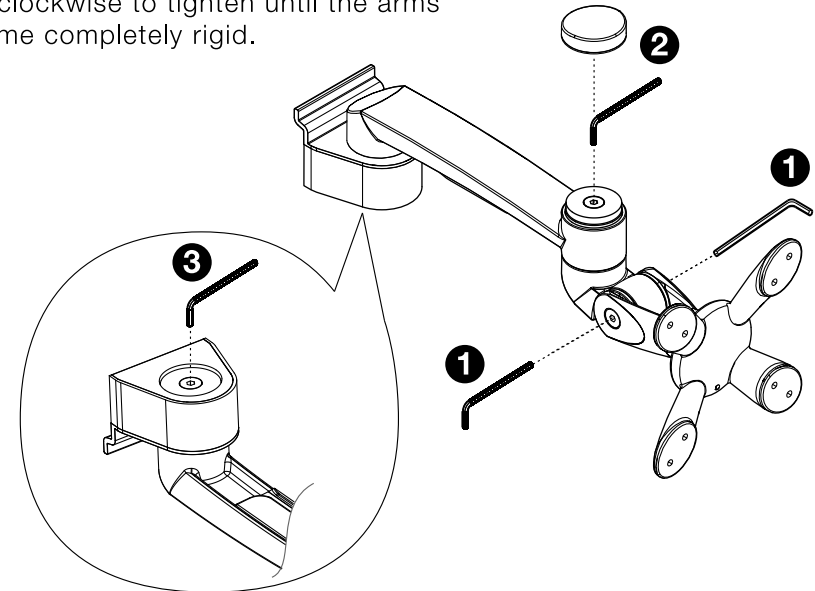
Caution:

Support and hold on to the arm while adjusting the tension.

Adjustments:

Use the Allen key (6) provided to adjust the tension in case the joint can't keep up with the weight of the monitor. 1 Turn the Allen key clockwise to adjust for heavier monitors; counter-clockwise for lighter monitors. If tightening the joint won't work, then untighten both screws completely without removing the screw and re-tighten it one screw at the time.

To keep the monitor arm completely rigid, proceed with deciding its permanent position and use Allen key to tighten all joints 2 and 3. Turn clockwise to tighten until the arms become completely rigid.



Recommendations:

- Maximum 14 kg (30.8 lbs).
- The products loading capacities are based on monitors' center of gravity less than 3 cm from the end of the VESA interface.
- All product specifications in catalogues are subject to change without notice.