

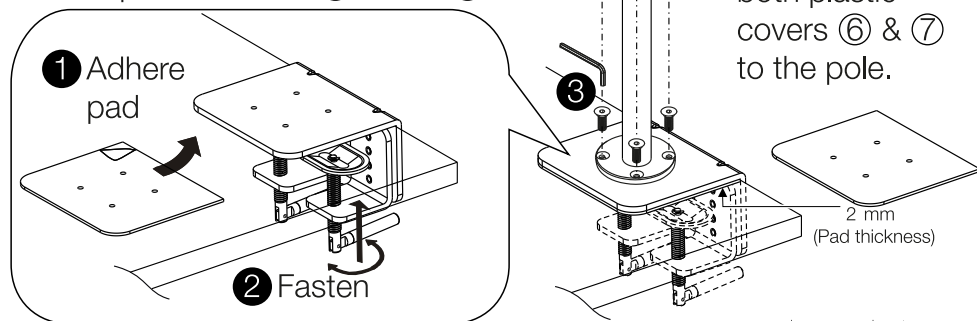
Monitor Arm OSLO - System 4

In order to achieve a correct mounting of this product, you are advised to read and follow the instructions step by step. If there are incomprehensible steps, please let us know and we will get back to you. **Note! All necessary parts are found in 4 separate boxes (see last page).**

Part Check-List

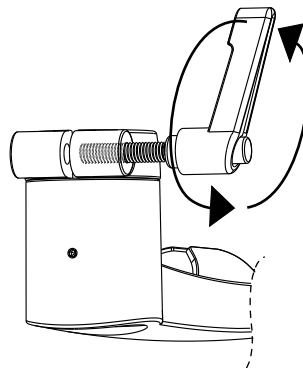
①		x1	⑦		x3
②		x1	⑧		x2
③		x1	⑨		x2
④		x4	⑩		x2
⑤		x1	⑪		x1
⑥		x1	⑫		x16
			⑬		x3
			⑭		x1

- Adhere pad to the bottom side of the clamp ①. Fasten clamp ② to the table using the handle. Mount the pole ③ on top using the screws ④ and Allen key ⑤. Complete assembly with plastic covers ⑥ & one ⑦.

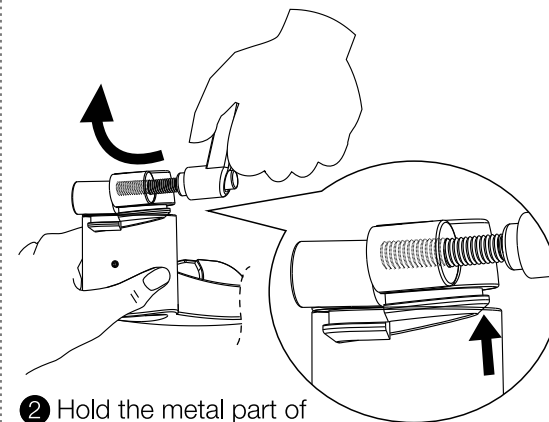


www.kondator.se

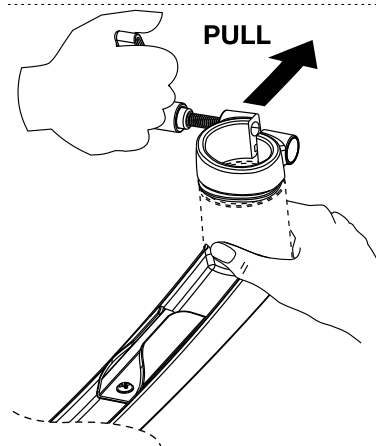
- The purpose of this step is to prepare the additional arms ⑧. The preparation is done by removing the black plastic clamp from the arm, as well as the black bushing. Please examine steps ① to ④ seen below before proceeding. It will facilitate the removal process.



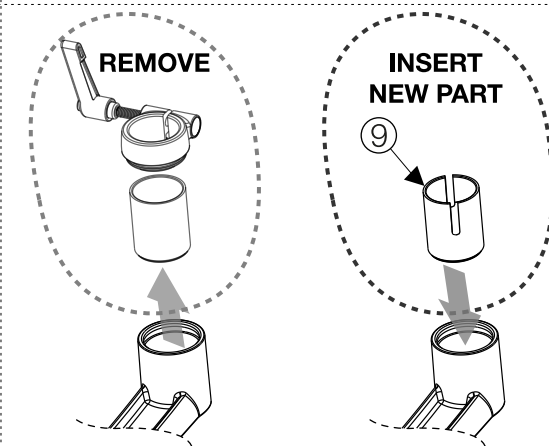
- Unscrew and position the handle bolt so that the bolt only has contact with one half of the plastic clamp.



- Hold the metal part of the arm with a firm grip. Use leverage to bend the lever upwards with as much force as possible. The bottom of the clamp will surface as seen in the zoomed-in illustration.

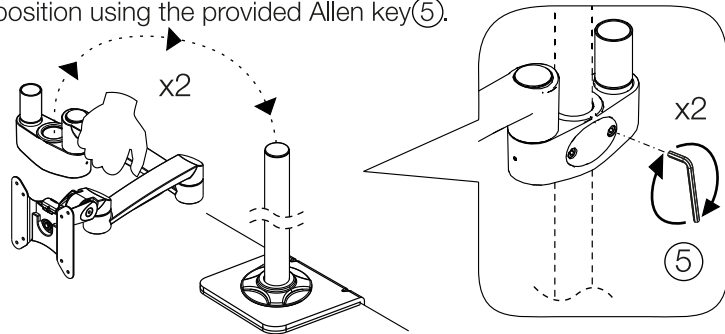


- As the bottom part of the black plastic surfaces; pull lever outwards until the clamp is completely loose.

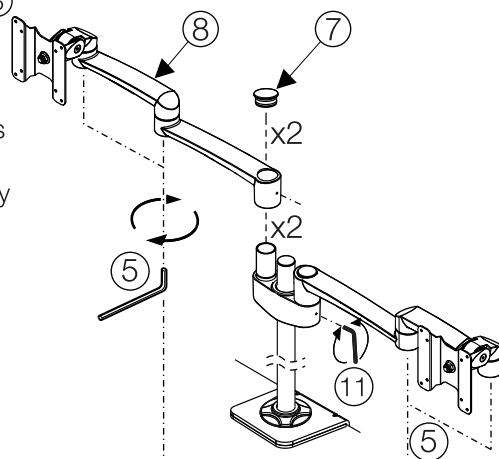


- Remove the black plastic clamp and replace the old bushing with the one provided in the carton box ⑨. Repeat process with the second arm ⑧.

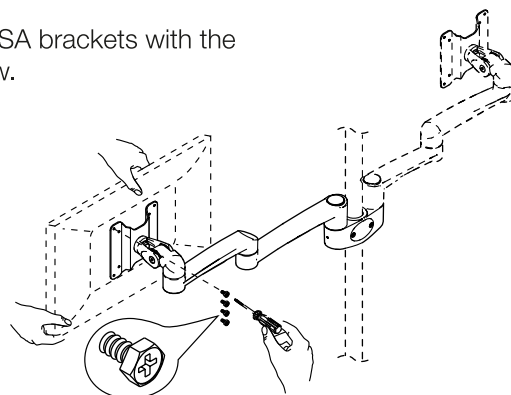
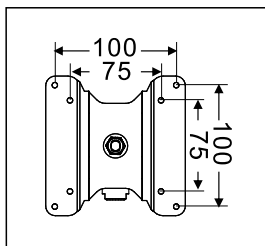
3 Insert both twin monitor bracket (10) into the pole. Adjust to desired height and fix their position using the provided Allen key (5).



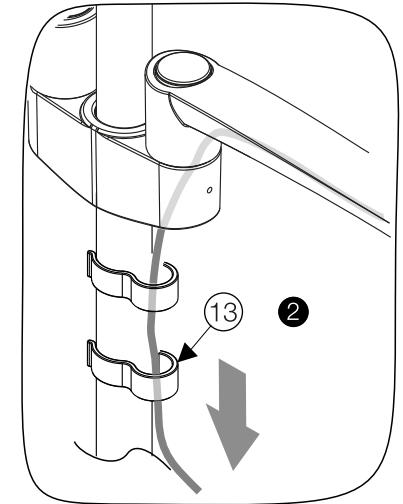
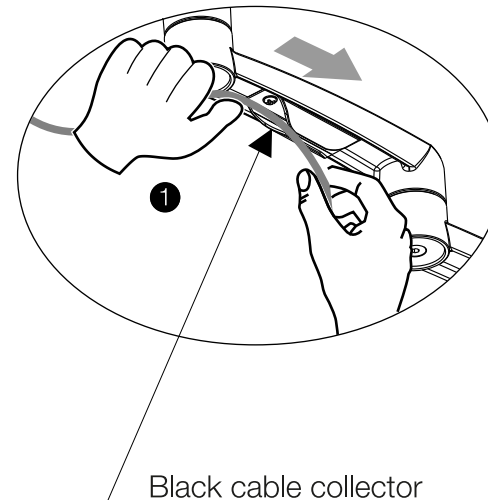
4 Insert the prepared monitor arms (8) from step 2. Then, attach the plastic covers (7) to cover the cavities. Once all pieces are set in place, tighten all eight small screws using the small Allen key (11). To make all joints and arms completely rigid, use Allen key (5).



5 Mount all LCD monitors to the VESA brackets with the provided screws (12) as seen below.



6 Finish installation by directing the cables from the LCD monitors through all black cable collectors. Lastly, direct the cable further down the pole and attach all cable clips (13) to keep them in place. See illustrations below.



SYSTEM OVERVIEW

Finished product	Following products are needed for the finished product	
438-LC29	2 x 438-LC15	Monitor arm OSLO, Silver
	2 x 438-LB27	Extra monitor arm OSLO, Silver
	1 x 438-501700	High table pole 700 mm, Silver
	1 x 438-201A	Twin table clamp, Silver