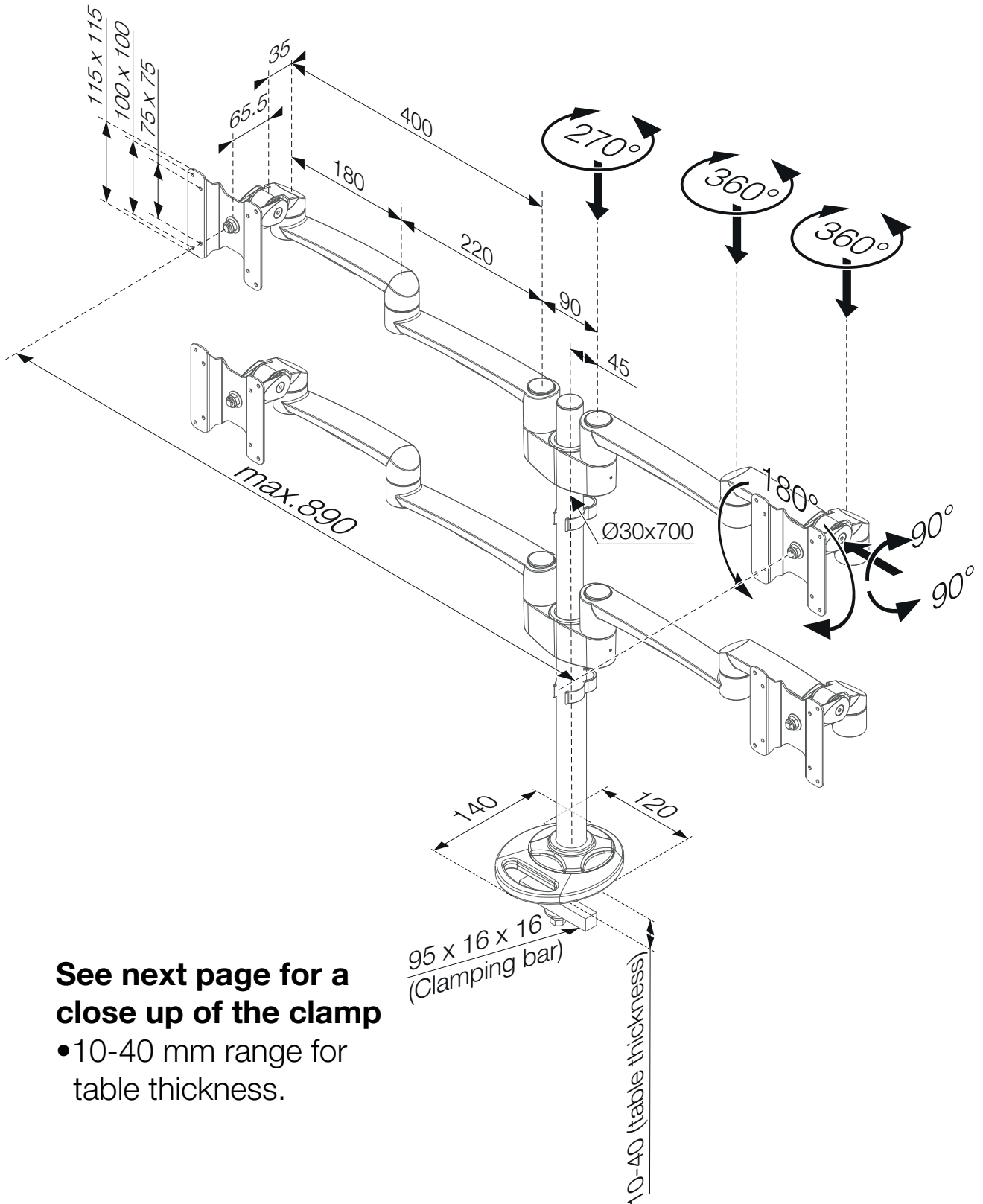




- 438-LC30
- 438-LC30W
- 438-LC30B

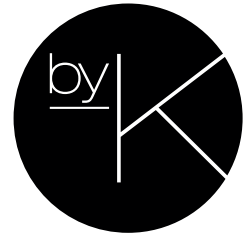
Monitor Arm Oslo - System 4 with grommet mount

Oriented View



See next page for a close up of the clamp

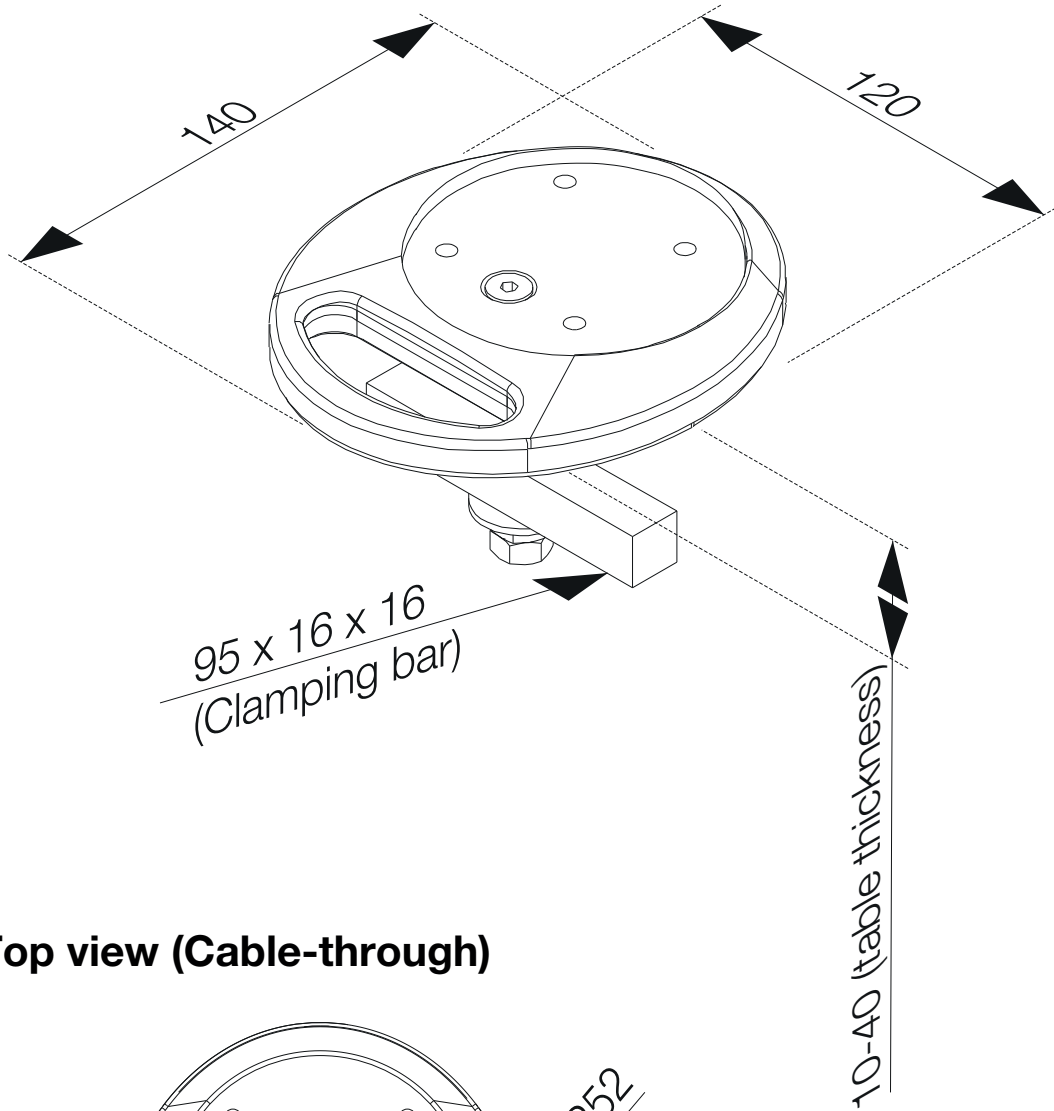
- 10-40 mm range for table thickness.



- 438-LC30
- 438-LC30W
- 438-LC30B

Monitor Arm Oslo - System 4 with grommet mount

Oriented View



Top view (Cable-through)

