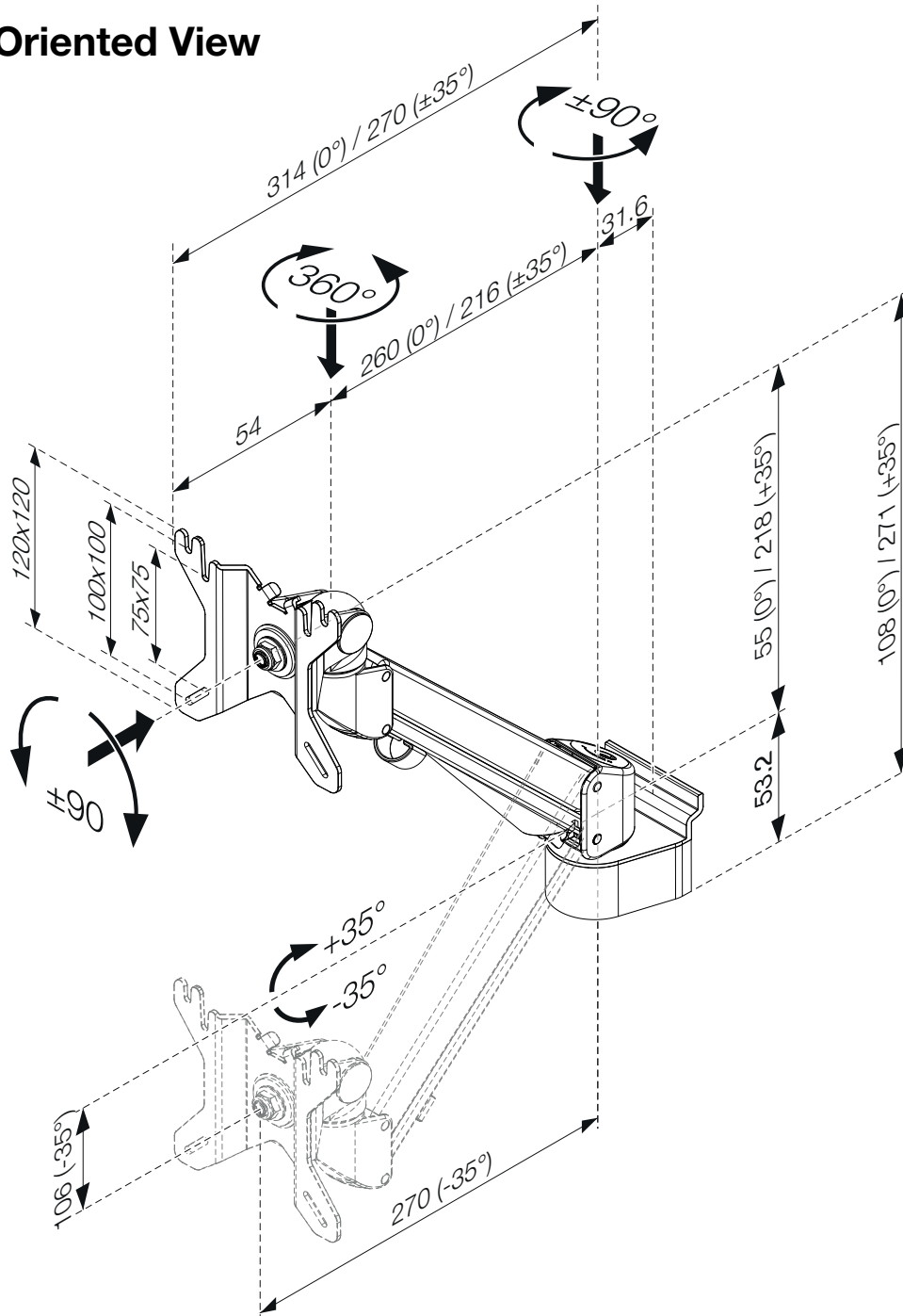




- 438-LC56
- 438-LC56W
- 438-LC56B

Monitor Arm STOCKHOLM Toolbar 8-14 kg, Gas Spring

Oriented View



See next page for a
close up of the bracket



- 438-LC56
- 438-LC56W
- 438-LC56B

Monitor Arm STOCKHOLM Toolbar 8-14 kg, Gas Spring

Oriented View (Conceptum Bracket)

