
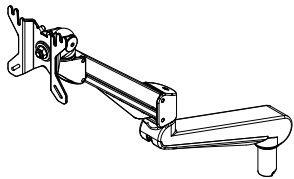




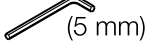

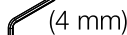

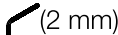

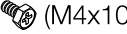




Monitor Arm Twin STOCKHOLM

Note! All necessary parts may be found in separate boxes.

Part Check-List

①		x1	③		x2
STANDARD CLAMP					
A1		x1			
ACCESSORY CLAMP*					
B1		x1*	④		x8**
B2		x1*	⑤		x1
B3		x1*	⑥		x1
B4		x1*	⑦		x1
B5		x2*	⑧		x8
B6		x1*	⑨		x2

*998-0068 In-Desk Clamp (silver) - Not included
 *998-0211 In-Desk Clamp (black) - Not included
 *998-0151 In-Desk Clamp (white) - Not included

Note! Might be pre-mounted**

STEP 1 FOR "STANDARD CLAMP"

- *Adhere pad ① to the bottom side of the clamp ①. Fasten clamp to the table using the handle. Consider re-positioning the clamp bracket in accordance to the table thickness using the guidelines below.

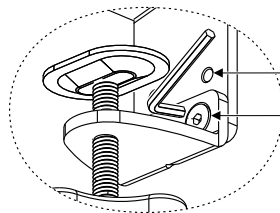
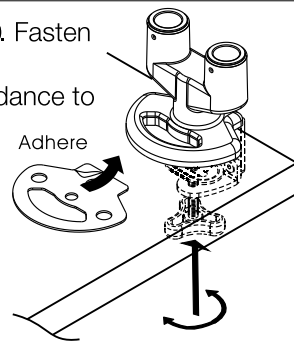


Table thickness guide
 0-36 mm (upper position)
 9-56 mm (lower position)

*If you do not intend to mount the final product to the edge of a table, then go to "IN-DESK CLAMP". See "ACCESSORIES", has to be bought separately.



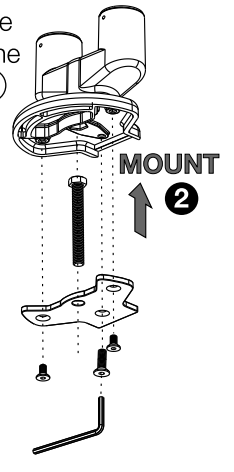
Adhere

STEP 1 FOR "ACCESSORY CLAMP"

- Use Allen Key ⑥ to loosen the three screws and remove the pre-assembled bracket.



- Use the same three screws to fasten the In-Desk bracket ③ and long bolt ②.



- Adhere pad ① to the bottom of the clamp, through the long bolt. Insert the re-assembled clamp through the hole in the table. Secure the clamp using all remaining parts ③-⑥. Be sure to tighten both nuts.

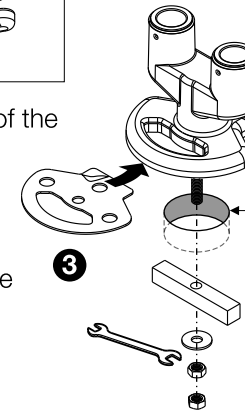


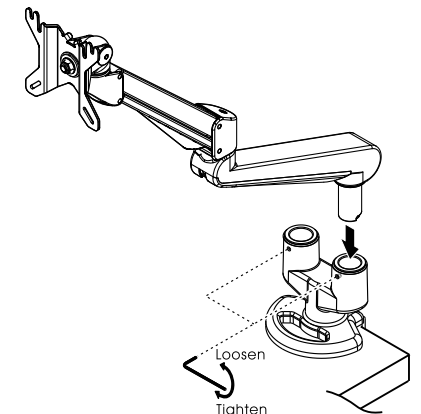
Table hole guide
 • 20-50* mm (diameter)
 • 0-36 mm (table thickness)

*If you intend to pass the cables through the hole, then Ø50 mm is appropriate.

STEP 2

Insert both monitor arms ③ into the clamp and fasten the two cup point socket screw ④ with Allen key ⑦. Adjust the tension of the rotation to your need.

To keep the arms completely rigid, fasten the small cup point socket screws as tight as possible while maintaining the intended position.



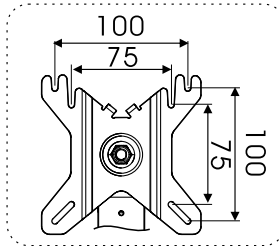
Assembly Guide

STEP 3 - 438-LC57

If the VESA mount fits with the monitor, proceed with the usage of screws (6A). (See left side illustration below).

In case it does not, assembly using the distance nuts (7) and long screws (6B). This is usually the case with screens that have a sunken VESA surface (see right side illustration below).

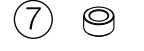
Secure the assembly with a screwdriver (not provided).



1 Mount both upper screws half-way into the threads of the monitor.

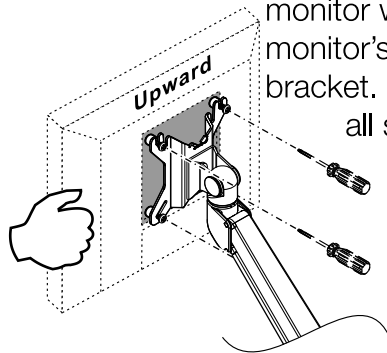
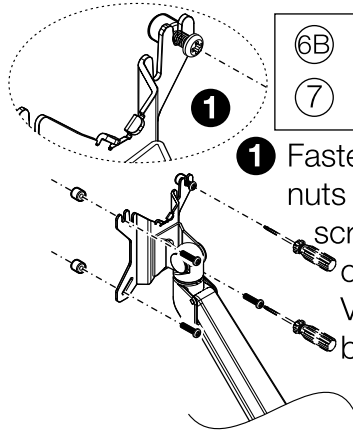
2 Slide the upper screws onto the tracks of the monitor's VESA bracket.

3 Fasten all four screws to the monitor arm.



1 Fasten all the nuts and screws onto the VESA bracket.

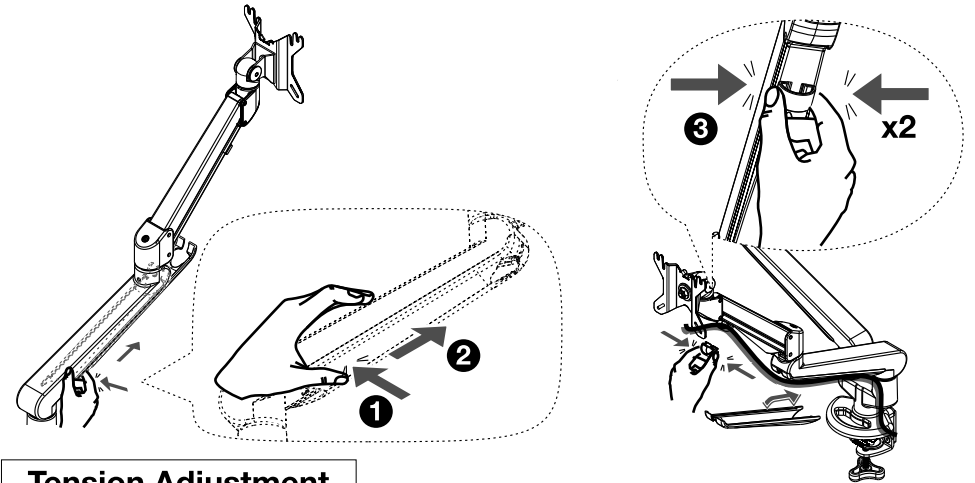
2 Grip firmly and position the monitor with the monitor's VESA bracket. Fasten all screws.



Assembly Guide

STEP 5

Unattach the cable collector and route the cables through. Once satisfied, re-attach the collector back into place. Proceed by continuing the routing through the cable clip.



Tension Adjustment

Adjustment:

Use the Allen key provided to adjust the tension to correspond to the weight of the desired monitor. Turn the Allen key (5) counter-clockwise to adjust for heavier monitors; clockwise for lighter monitors. Once the adjustment is done, the monitor should be experienced as weightless and the monitor should remain in any position without dropping nor rising.

Recommendations:

- 8-14 kg (17.6-30.8 lbs).
- The products loading capacities are based on monitors' center of gravity less than 3 cm from the end of the VESA interface.
- Loading capacity could be reduced if the monitor size is greater than 26 inches or if the thickness exceeds 5.5 cm.
- All product specifications in catalogues are subject to change without notice.

Caution:

Support and hold on to the arm while adjusting the tension.

When the joint loosens, use Allen key (5) to tighten the joint. Clockwise to tighten for heavier monitors; Counter-clockwise to loosen.

