

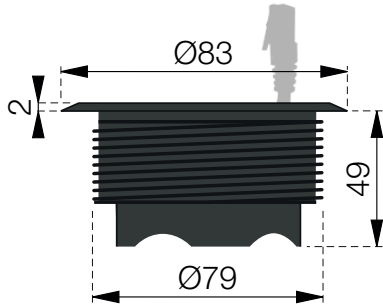


□ 935-PD10W-GST

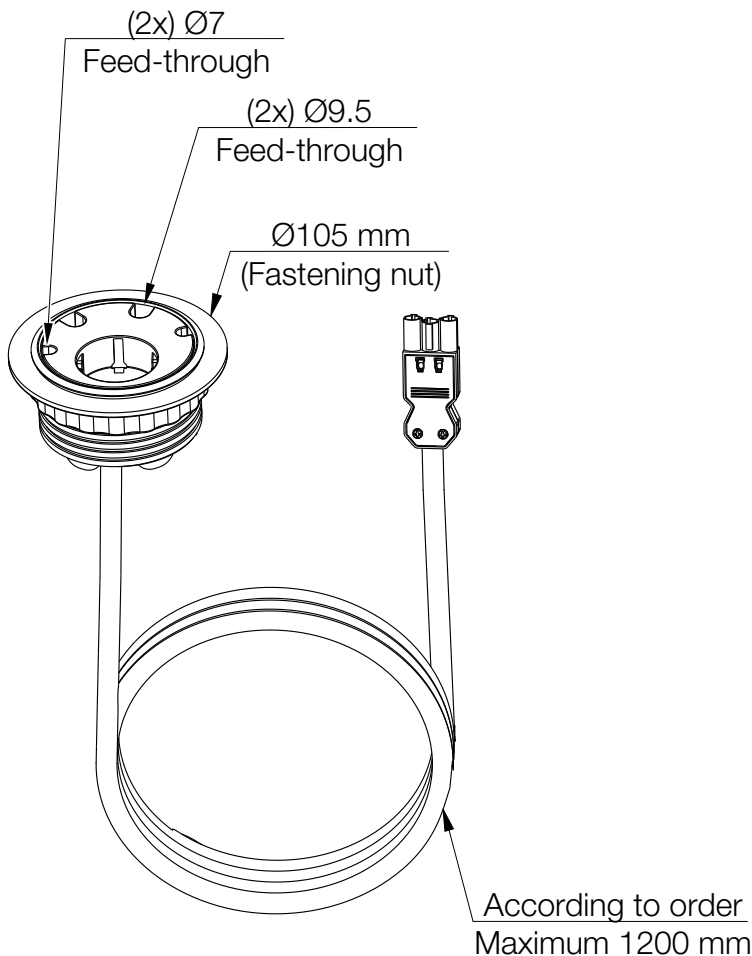
■ 935-PD10-GST

## Powerdot - 1 GST18i3, 4 Feed-throughs (2x Ø7 & 2x Ø9.5)

### Front view (Grommet)



### Oriented view (Grommet, nut & cable)



Maximum table thickness: 30 mm  
Recommended hole cut: Ø79 mm