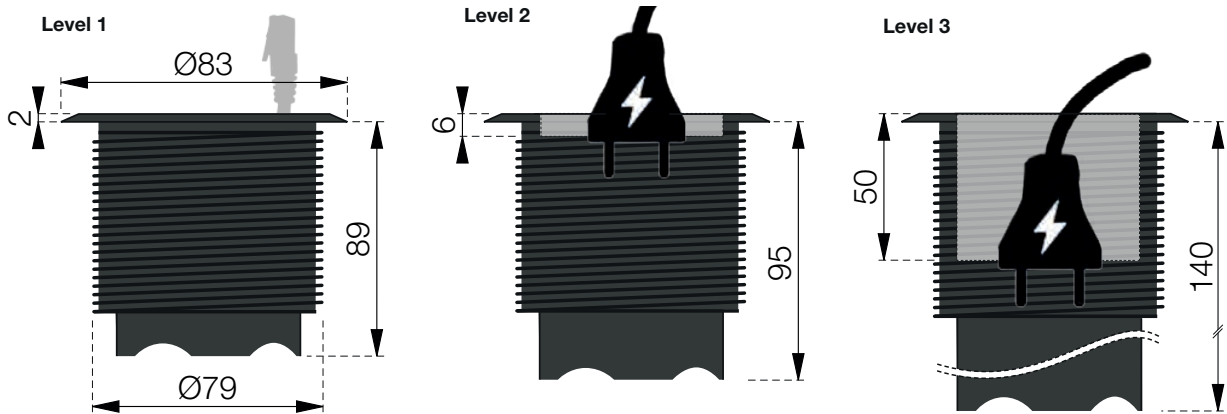


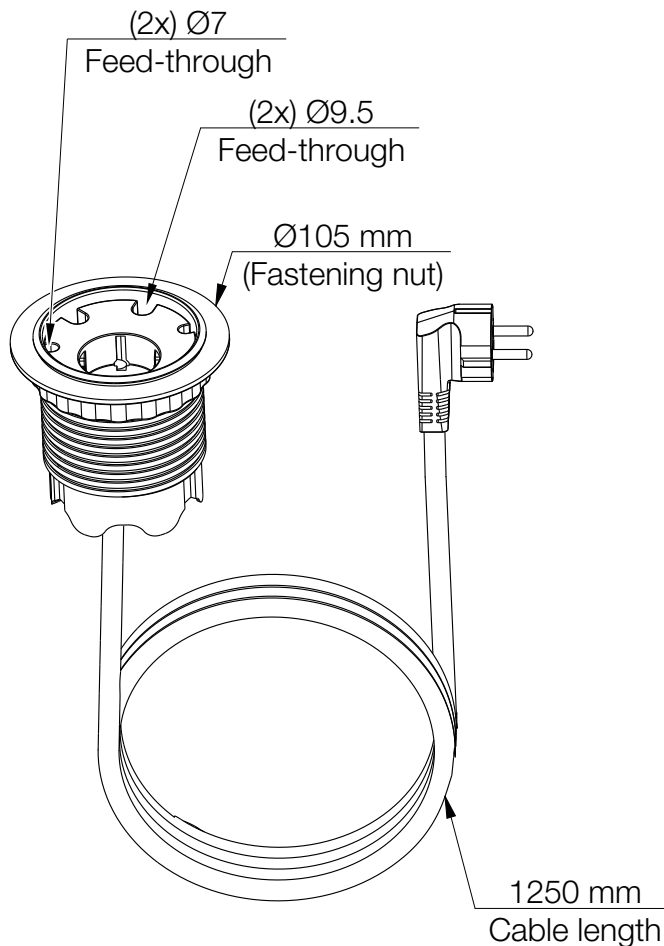


■ 935-PD11
**Powerdot 1 Power,
4 Feed-throughs (2x Ø7 & 2x Ø9.5)**

Front view (Grommet)



Oriented view (Grommet, nut & cable)



Maximum table thickness: 55 mm
Recommended hole cut: Ø79 mm

Revised
191106