

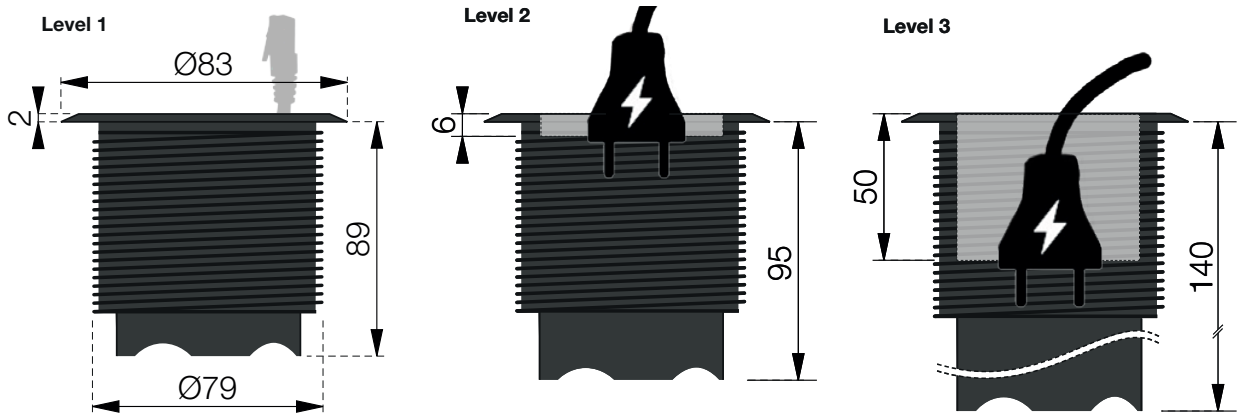


□ 935-PD13W-GST

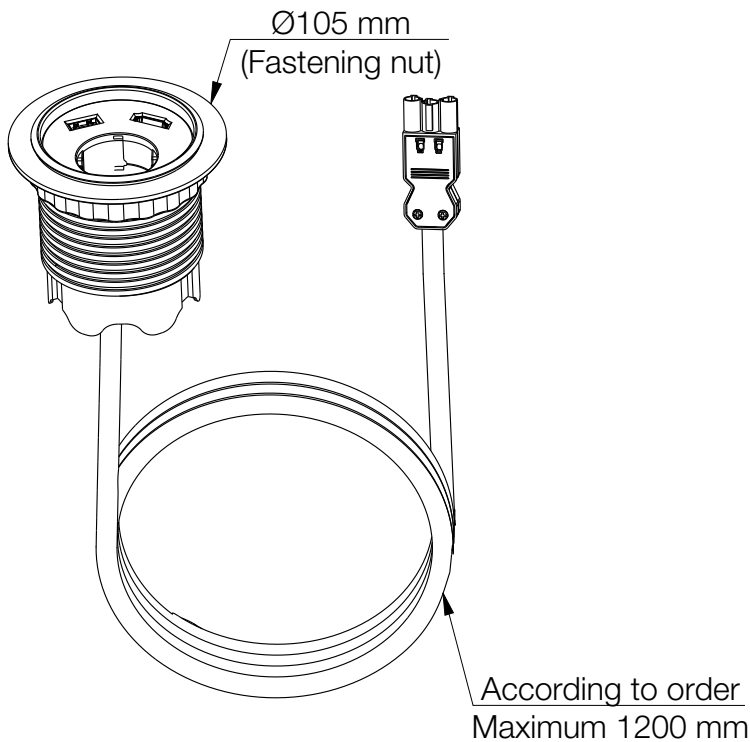
■ 935-PD13-GST

**Powerdot - 1 GST18i3, 1 HDMI,  
1 USB port**

**Front view (Grommet)**



**Oriented view (Grommet, nut & cable)**



Maximum table thickness:  
Recommended hole cut:

55 mm  
Ø79 mm

Revised  
200218