



Installation and Assembly: Universal Tilt Brackets for 13" - 37" (33 - 94 cm) Flat Panel Screens

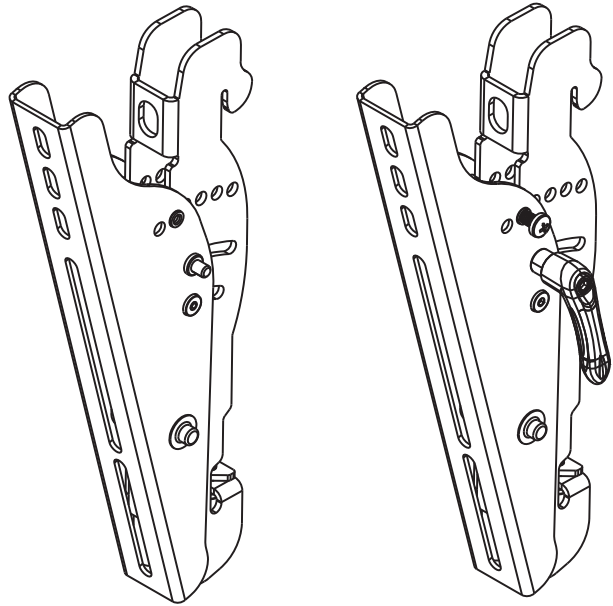
Models: ACC-DSV240, ACC-DSV240-P

Features:

- For virtually all 13" - 37" (33 - 94 cm) flat panel screens
- Universal tilt brackets easily hook onto the wall plate for fast installation
- Adjustable up to 15° of forward tilt and up to -5° backward tilt for optimal viewing angle
- One-touch tilt for effortless adjustment
- Easy locking handle locks the screen position into place without the use of tools
- Optional IncreLok feature offers fixed tilts at -5°, 0°, 5°, 10° and 15° increments

Accessories:

- DS-ACC-LDCM cable management accessory (optional)
- DS-VL-H024 24" wall plate (optional)
- DS-VL-H036 36" wall plate (optional)
- DS-VL-H048 48" wall plate (optional)
- DS-VL-H060 60" wall plate (optional)
- DS-VL-H072 72" wall plate (optional)



Maximum Load Capacity: 125 lb (57 kg)

▲ WARNING

- Do not begin to install your Peerless product until you have read and understood the instructions and warnings contained in this Installation Sheet. If you have any questions regarding any of the instructions or warnings, for US customers please call Peerless customer care at 1-800-865-2112, for all international customers, please contact your local distributor.
- This product should only be installed by someone of good mechanical aptitude, has experience with basic building construction, and fully understands these instructions.
- Make sure that the supporting surface will safely support the combined load of the equipment and all attached hardware and components.
- Never exceed the Maximum Load Capacity.
- Always use an assistant or mechanical lifting equipment to safely lift and position equipment.
- Tighten screws firmly, but do not overtighten. Overtightening can damage the items, greatly reducing their holding power.
- This product is intended for indoor use only. Use of this product outdoors could lead to product failure and personal injury.

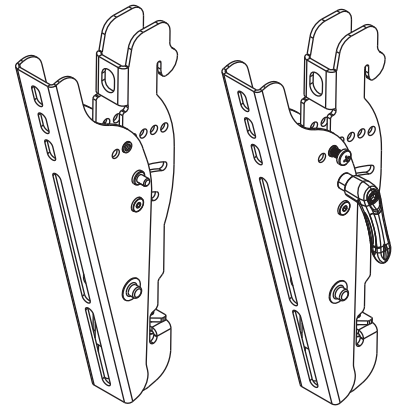
NOTE: Read entire instruction sheet before you start installation and assembly.

Before you begin, make sure all parts shown are included with your product.

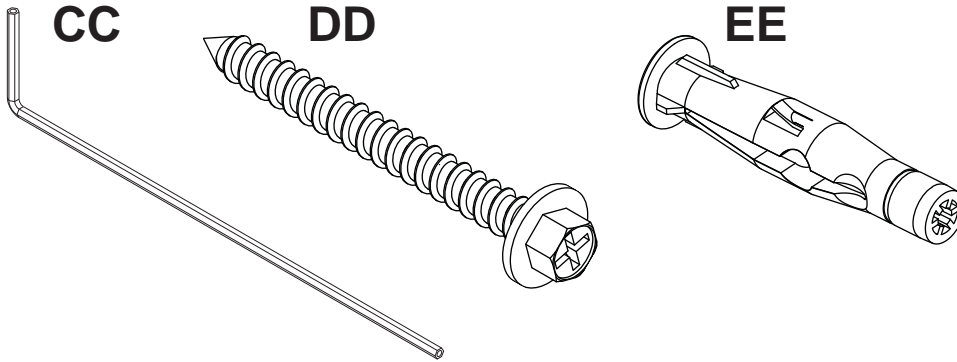
Parts List	Description	Qty.	ACC-DSV240	ACC-DSV240-P
			Part Number	Part Number
AA	left tilt bracket	1	201-1462	201-1461
BB	right tilt bracket	1	201-1464	201-1463
CC	4 mm allen wrench	1	560-1131	N/A
DD	#14 x 2.5 hex wood screw (not used)	2	5S1-015-C03	5S1-015-C03
EE	concrete anchor (not used)	2	590-0320	590-0320

AA

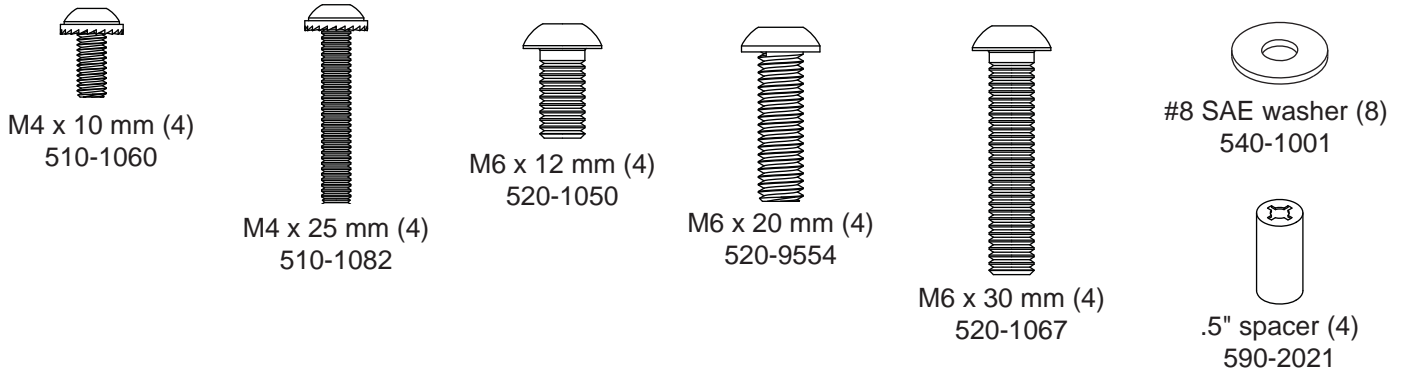
BB



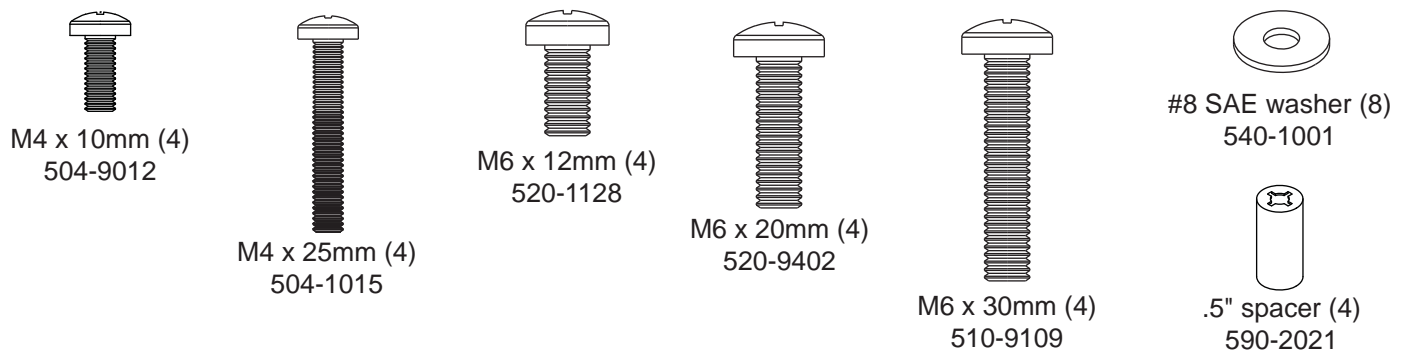
Parts may appear slightly different than illustrated.



Security Adapter Bracket Fasteners



Non-Security Adapter Bracket Fasteners



Installing Adapter Brackets

⚠ WARNING

- If screws don't get three complete turns in the screen inserts or if screws bottom out and adapter brackets are still not tightly secured, damage may occur to screen or product may fail. Contact customer care for correct hardware to use.

1 To prevent scratching the screen, set a cloth on a flat, level surface that will support the weight of the screen. Place screen face side down. Place and align adapter brackets (**AA & BB**) on back of screen to VESA hole pattern as shown in fig. 1.1.

***NOTE:** If mounting holes are not centered on back of screen, center brackets on back of screen as shown in fig. 1.2. Find the VESA® hole pattern below, and attach brackets to screen accordingly. Verify that all holes are properly aligned, and then tighten screws using 4 mm allen wrench (**CC**).

FOR VESA 75 MOUNTING PATTERN:

Attach adapter brackets (**AA & BB**) to back of screen using four M4 x 10 mm screws and four #8 SAE upper washers as shown in figure 1.3.

***NOTE:** If hole pattern is in a pocket, attach adapter brackets (**AA & BB**) to back of screen using four M4 x 25 mm screws, eight #8 SAE upper and lower washers, and four retaining spacers as indicated below.

FOR VESA 100 MOUNTING PATTERN:

Attach adapter brackets (**AA & BB**) to back of screen using four M4 x 10 mm screws and four #8 SAE upper washers as shown in figure 1.3.

***NOTE:** If hole pattern is in a pocket, attach adapter brackets (**AA & BB**) to back of screen using four M4 x 25 mm screws, eight #8 SAE upper and lower washers, and four retaining spacers as indicated below.

FOR VESA 200 MOUNTING PATTERN:

Attach adapter brackets (**AA & BB**) to back of screen using four M4 x 10 mm screws and four #8 SAE upper washers as shown in figure 1.3.

***NOTE:** If M4 x 10 mm screws gets less than three threads of engagement, attach adapter brackets (**AA & BB**) to back of screen using four M4 x 25 mm screws, eight upper and lower #8 SAE washers, and four retaining spacers as indicated below.

FOR VESA 200 x 200 MOUNTING PATTERN:

Attach adapter brackets (**AA & BB**) to back of screen using four M6 x 12 mm screws as shown in figure 2.3.

***NOTE:** If M6 x 12 mm screw gets less than three threads of engagement, attach adapter brackets (**AA & BB**) to back of screen using four M6 x 20 mm screws as indicated below.

If M6 x 20 mm screws get less than three threads of engagement, attach adapter brackets (**AA & BB**) to back of screen using four M6 x 30 mm screws as indicated below.

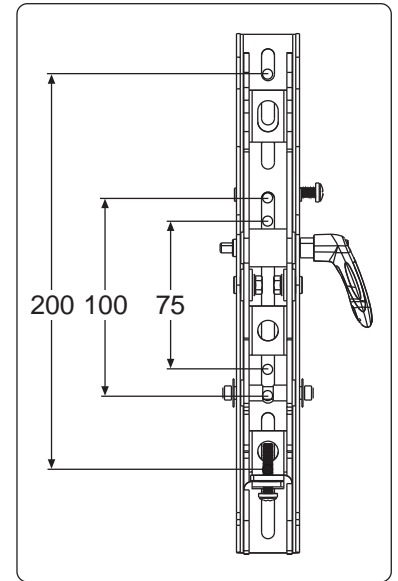
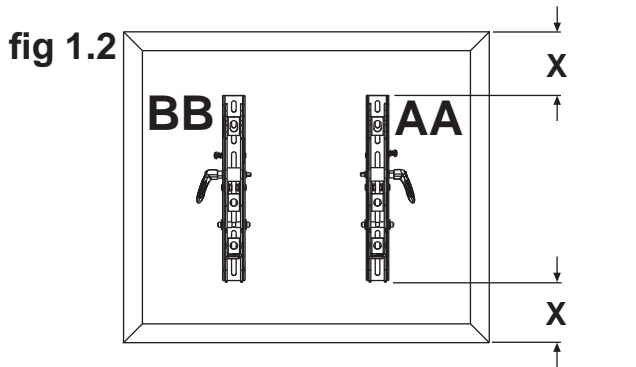


fig 1.1



NOTE: "X" DIMENSIONS SHOULD BE EQUAL.

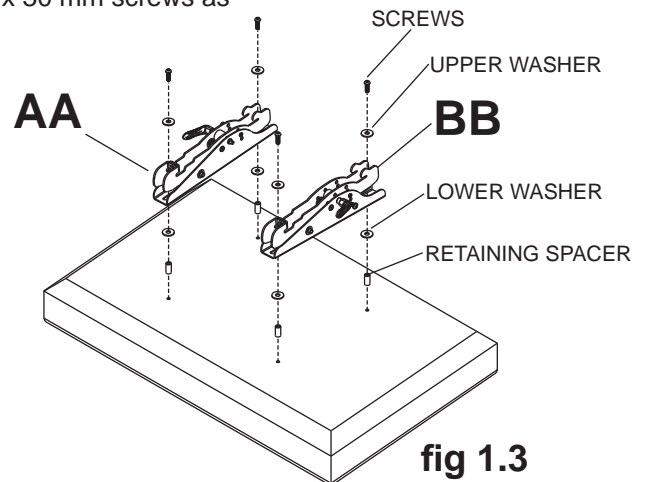


fig 1.3

Mounting and Removing Flat Panel Screen

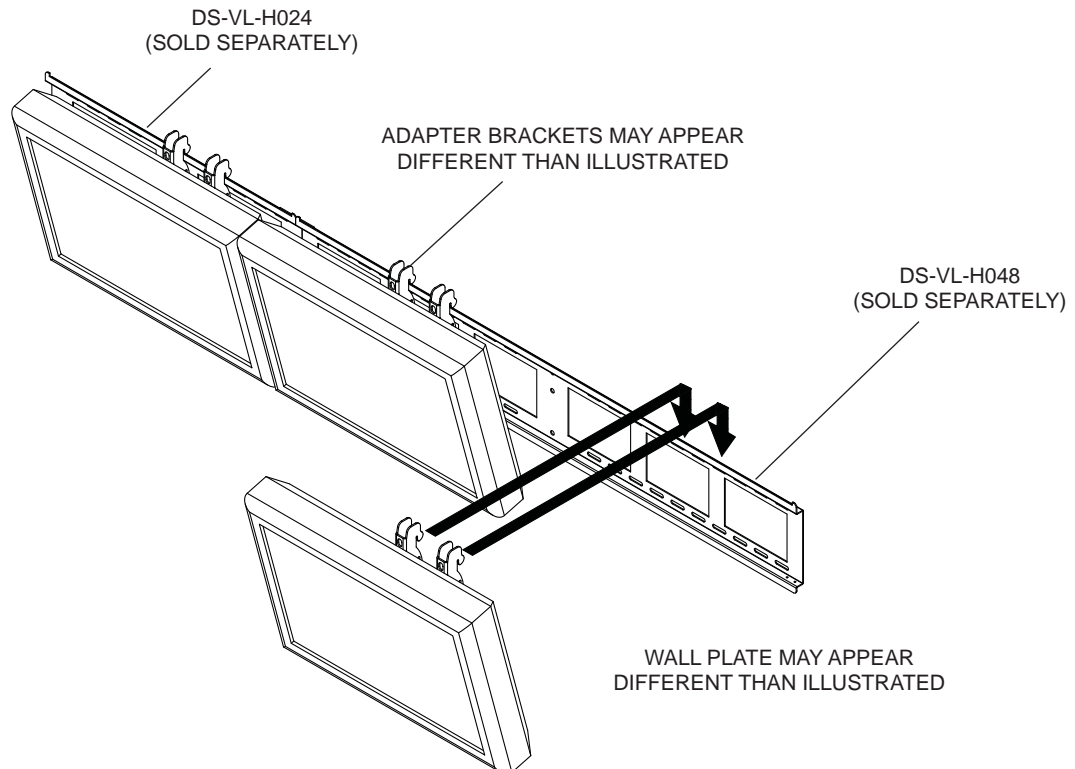
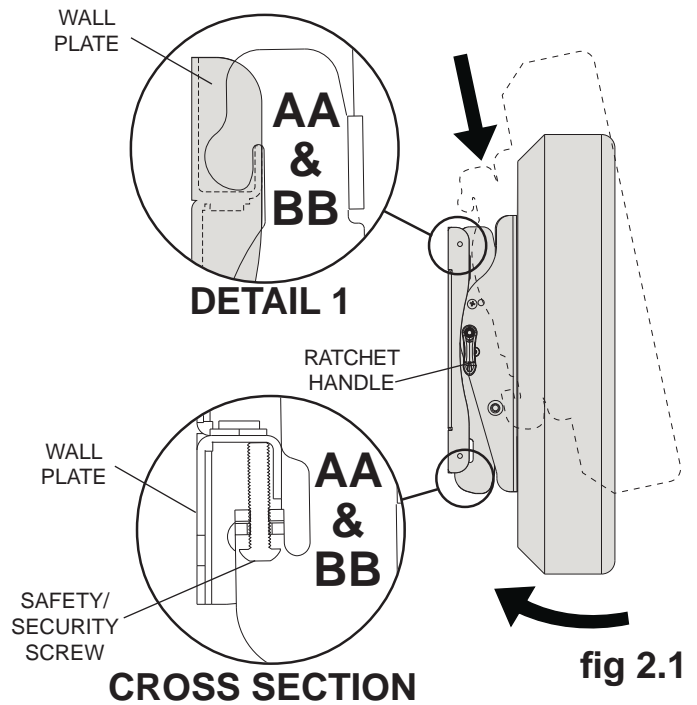
⚠ WARNING

- Always use an assistant or mechanical lifting equipment to safely lift and position the flat panel screen.
- Do not tighten screws with excessive force. Overtightening can cause damage to mount. Tighten screws to 40 in. • lb (4.5 N.M.) maximum torque.
- Be careful not to pinch fingers when pushing screen from the bottom.

2 **Tension Adjustment of Ratchet Handle:** Adjust tension in adapter brackets (**AA & BB**) by rotating ratchet handle. **NOTE:** If obstruction prevents ratchet handle from rotating, pull handle out while turning will allow handle to reposition without tightening. Release and turn handle to tighten or loosen.

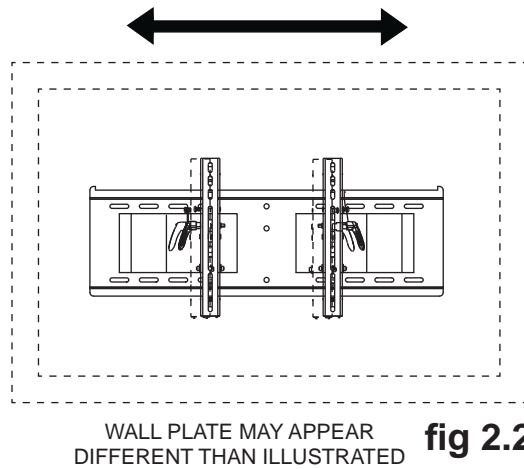
Mounting Screen: Ratchet handle **must** be in the up or down position or interference will occur while hooking adapter brackets to wall plate. Slowly hook adapter brackets (**AA & BB**) onto wall plate and swing screen down as shown in fig. 2.1. Adapter bracket hooks must fully engage wall plate as shown in detail 1. 4 mm allen wrench (**CC**), turn safety/security screws on adapter brackets (**AA & BB**) clockwise till screw tip securely contacts wall plate as shown in cross section.

Installing Multiple Wall Plates and Screens: Multiple wall plates (sold separately) and adapter brackets can be used to create multiple screen displays.



Screen Adjustment: Screen can be adjusted horizontally by loosening safety/security screws on adapter brackets (**AA & BB**) three full turns. Adjust screen as shown in figure 2.2. Tighten safety/security screws on adapter brackets using 4 mm allen wrench (**CC**) till screw tip securely contacts wall plate as shown in cross section.

Removing Screen: To remove screen from mount, loosen safety screws, swing screen away from mount, and lift screen off of mount.



Adjusting the Tilt Angle of the Flat Panel Screen

3 For preset tilt angles use Increlok™ and for custom tilt angle use ratchet handle.

INCRELOK™: The screen can be locked into a pre-set tilt position of -5°, 0°, 5°, 10° or 15°. Use locator hole to find tilt position hole and tilt screen to align holes. Tighten IncreLok™ tilt locking screws on both adapter brackets to lock tilt as shown in detail 2.

Ratchet Handle: Loosen ratchet handle (refer to step 3 for tension adjustment of handle). Push or pull from top or bottom of screen to adjust tilt as shown in figure 3.1. The tilt can be adjusted to a maximum of 15° forward or 5° backward.

