

DS-VL-H models
ACC-DSV models

Digital Menu Board Kit

For 20" to 65" displays

Designed to provide a great look for an infinite number of display possibilities, the Peerless Digital Menu Board Kit allows for the combination of multiple wall plates and vertical rails that ultimately creates a virtually seamless in-line display appearance at any desired height. A simple 3-step installation saves time and eliminates tedious measurements while assuring the placement of multiple displays is easily adjusted across the horizontal arrangement. The mount offers flat or tilt viewing options for ideal screen spotting position. Tampering and theft is prevented with included security hardware option. Available Cable Management Accessory assists in finishing a clean look for a truly sleek and clutter-free installation.



TV size: 20"-65"



Max load: up to 350lb (158.8kg)

FEATURES

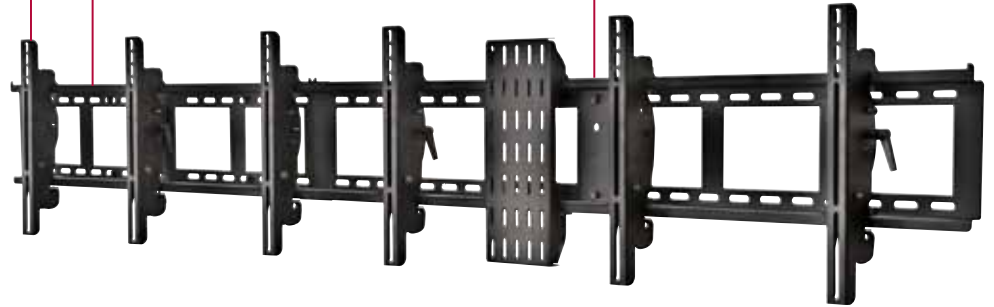
- Enables the installation of multiple displays onto one mounting system
- Tilt displays to -5, 0, 5, 10 and 15 degrees
- Horizontal adjustment to create a seamless appearance
- Portrait or landscape orientation
- Includes all necessary mounting hardware
- Integrated security options available

INFINITE POSSIBILITIES

Create any combination of wall plates and vertical rails forming a limitless linear array of displays

NO MEASURING

Install multiple displays onto one mounting system with virtually no measuring required



Configuration Shown:
DS-VL-H048 and DS-VL-H036
and ACC-DSV329 with
accessory DS-ACC-LDCM



Configuration Shown:
DS-VL-H060 with ACC-DSV240



Configuration Shown:
DS-VL-H060 with ACC-DSV449

Model Numbers

ACC-DSV240-P	Non-security vertical rails for up to 240mm	ACC-DSV240	Security vertical rails for up to 240mm	DS-VL-H018	Horizontal Wall Plate 18"
ACC-DSV329-P	Non-security vertical rails for up to 329mm	ACC-DSV329	Security vertical rails for up to 329mm	DS-VL-H024	Horizontal Wall Plate 24"
ACC-DSV449-P	Non-security vertical rails for up to 449mm	ACC-DSV449	Security vertical rails for up to 449mm	DS-VL-H036	Horizontal Wall Plate 36"
ACC-DSV503-P	Non-security vertical rails for up to 503mm	ACC-DSV503	Security vertical rails for up to 503mm	DS-VL-H048	Horizontal Wall Plate 48"
ACC-DSV745-P	Non-security vertical rails for up to 745mm	ACC-DSV745	Security vertical rails for up to 745mm	DS-VL-H060	Horizontal Wall Plate 60"
				DS-VL-H072	Horizontal Wall Plate 72"

Product Specifications

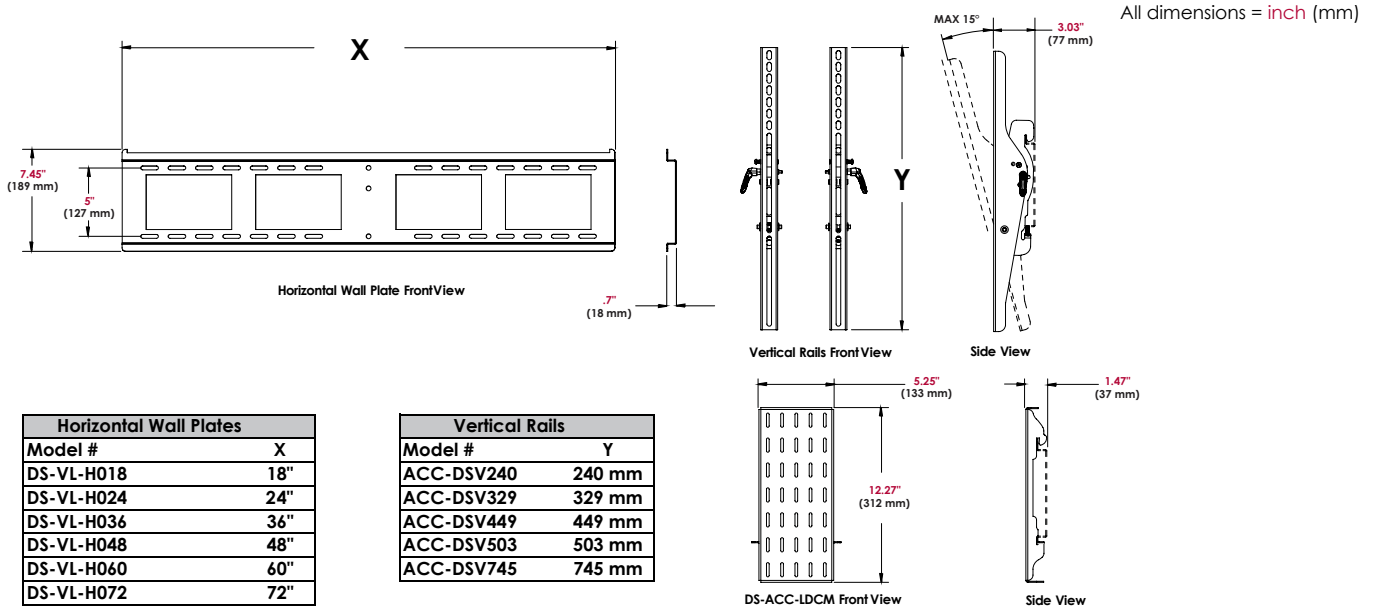
	DIMENSIONS (W x H x D)	PRODUCT WEIGHT	LOAD CAPACITY	FINISH	AVAILABLE COLORS
Vertical Rails					
ACC-DSV240(-P)	1.25" x 10.30" x 2.55" (31.75 x 261.62 x 64.77mm)	4.92lb (2.23kg)	125lb (56kg)	Scratch resistant fused epoxy	Black
ACC-DSV329(-P)	1.25" x 13.50" x 2.49" (31.75 x 342.9 x 63.25mm)	5.10lb (2.31kg)	150lb (38kg)		
ACC-DSV449(-P)	1.25" x 18.50" x 2.40" (31.75 x 469.9 x 60.96mm)	5.84lb (2.65kg)	175lb (79kg)		
ACC-DSV503(-P)	1.25" x 20.62" x 2.89" (31.75 x 523.75 x 73.41mm)	8.92lb (4.05kg)	250lb (113.4kg)		
ACC-DSV745(-P)	1.25" x 30.25" x 2.82" (31.75 x 768.35 x 71.63mm)	11.12lb (5.04kg)	350lb (158.8kg)		
Horizontal Wall Plates					
DS-VL-H018	18.00" x 7.50" x .70" (457.2 x 190.5 x 17.78mm)	2.23lb (1.01kg)	350lb (158.8kg)	Varies by order	1
DS-VL-H024	24.00" x 7.50" x .70" (609.6 x 190.5 x 17.78mm)	2.76lb (1.25kg)	350lb (158.8kg)		
DS-VL-H036	36.00" x 7.50" x .70" (914.4 x 190.5 x 17.78mm)	4.02lb (1.82kg)	350lb (158.8kg)		
DS-VL-H048	48.00" x 7.50" x .70" (1219.20 x 190.5 x 17.78mm)	5.12lb (2.32kg)	350lb (158.8kg)		
DS-VL-H060	60.00" x 7.50" x .70" (1524 x 190.5 x 17.78mm)	6.39lb (2.90kg)	350lb (158.8kg)		
DS-VL-H072	72.00" x 7.50" x .70" (1828.8 x 190.5 x 17.78mm)	7.82lb (3.55kg)	350lb (158.8kg)		
Cable Management Accessory					
DS-ACC-LDCM	5.25" x 12.27" x 1.27" (2.38 x 5.57 x .58mm)	1.74lb (.79kg)			

Package Specifications

	PACKAGE SIZE (L x W x H)	PACKAGE SHIP WEIGHT	PACKAGE UPC CODE	PACKAGE CONTENTS	UNITS IN PACKAGE
Vertical Rails					
ACC-DSV240(-P)	12.63" x 10.13" x 3.5" (320.80 x 257.30 x 88.90mm)	5.32lb (2.41kg)	735029271666	Varies by order	1
ACC-DSV329(-P)	21.13" x 10.13" x 3.5" (536.70 x 257.30 x 88.90mm)	6.07lb (2.75kg)	735029271673		
ACC-DSV449(-P)	21.13" x 10.13" x 3.5" (536.70 x 257.30 x 88.90mm)	7.26lb (3.29kg)	735029271680		
ACC-DSV503(-P)	32.5" x 8.75" x 4.75" (825.5 x 222.25 x 120.65mm)	7.99lb (3.62kg)	735029271697		
ACC-DSV745(-P)	32.5" x 8.75" x 4.75" (825.5 x 222.25 x 120.65mm)	8.9lb (4.04kg)	735029271703		
Horizontal Wall Plates					
DS-VL-H018	20" x 10" x 1.75" (508 x 254 x 44.44mm)	4.5lb (2.04kg)	735029275008	Varies by order	1
DS-VL-H024	40" x 8" x .75" (1016 x 203.2 x 19.05mm)	5.5lb (2.49kg)	735029271710		
DS-VL-H036	40" x 8" x .75" (1016 x 203.2 x 19.05mm)	6.7lb (3.04kg)	735029271727		
DS-VL-H048	64" x 8" x .75" (1625.6 x 203.2 x 19.05mm)	7.9lb (3.58kg)	735029271734		
DS-VL-H060	64" x 8" x .75" (1625.6 x 203.2 x 19.05mm)	9.1lb (4.13kg)	735029271741		
DS-VL-H072	73" x 8.5" x 4.5" (1854.19 x 215.89 x 114.3mm)	14.01 (6.35kg)	735029271758		
Cable Management Accessory					
DS-ACC-LDCM	14.25" x 6.75" x 3" (361.95 x 171.45 x 76.19mm)	2.1lb (.95kg)	735029271802		

Accessories

DS-ACC-LDCM: Cable Management Accessory for the Digital Menu Board Kit



ARCHITECTS SPECIFICATIONS

The Wall Plates and Vertical Rails shall be a Peerless-AV models DS-VL-H0%, and ACC-DSV%% and shall be located where indicated on the plans. It shall feature scratch resistant black fused epoxy finish. Assembly and installation shall be done according to instructions provided by the manufacturer.

Peerless Industries, Inc. ■ 2300 White Oak Circle ■ Aurora, IL 60502 ■ (800) 865-2112 ■ (630) 375-5100 ■ Fax: (800) 359-6500 ■ peerless-av.com

Visit www.peerless-av.com to see the complete line of AV solutions from Peerless-AV, including flat panel mounts, projector mounts, carts/stands, furniture, cables, screen cleaners and a full assortment of accessories.