

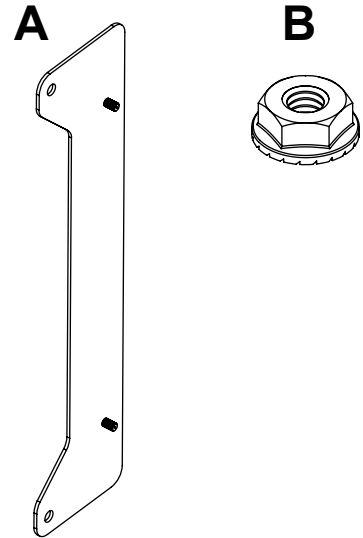
Installation and Assembly: VESA 800 x 400 Adapter Brackets for DS-VW665 and DS-VW765-LAND Video Wall Mounts

Models: ACC-DSVW8X4

Before you begin, make sure all parts shown are included with your product.

Parts List

Description	Qty.	Part #
A adapter plate	2	145-T1694
B 1/4-20 serrated flanged lock nut	4	530-1021



Parts may appear slightly different than illustrated.

- NOTE:** Adapter plates (**A**) orientation as shown.
Secure adapter plates (**A**) to front of adapter brackets (not supplied) using four 1/4-20 serrated flanged lock nuts (**B**) as shown in figure 1.2.
NOTE: Use Instruction sheet and hardware supplied with the mount to install display to adapter plates (**A**).

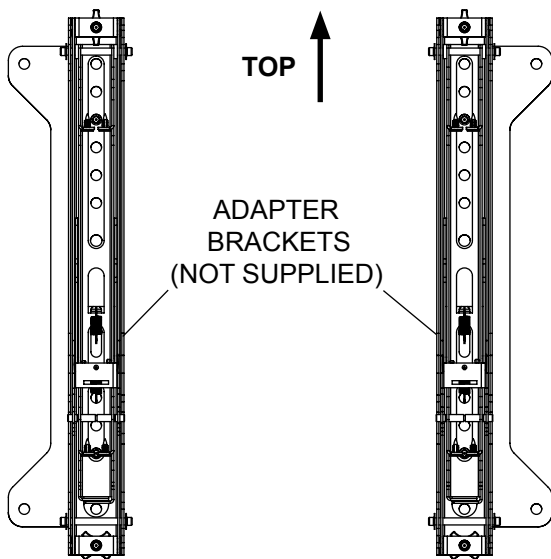


FIGURE 1.1

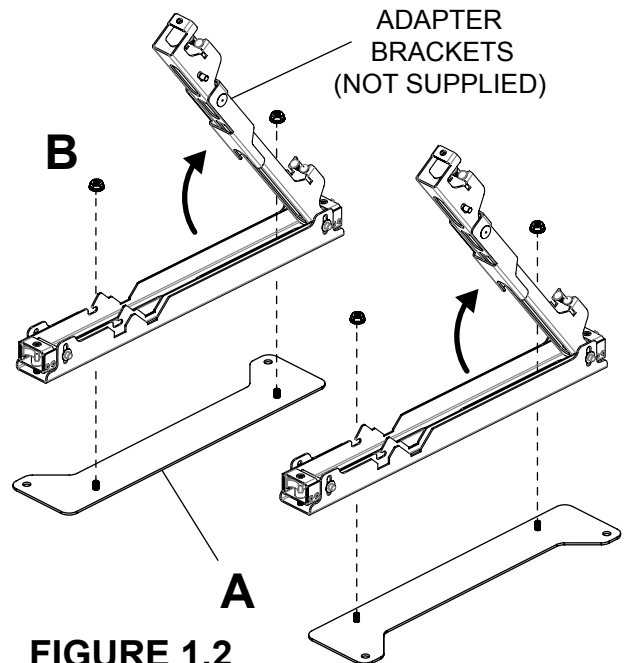


FIGURE 1.2