

ACC-DSVW8X4

VESA® 800x400mm Adapter Bracket

for DS-VW665 and DS-VW765-LAND Video Wall Mounts



Increase your mounts' compatibility with the ACC-DSVW8X4 by Peerless-AV. This low cost adapter rail solution for displays with VESA® 800 x 400mm mounting patterns allows the display to be mounted with the DS-VW765-LAND and DS-VW665 video wall mounts. This ultra thin design minimizes the depth by only adding .10" to the back of the display. In addition, keeping the adapter rails located near the corners of the display allows the mount to independently fine tune each corner for precision alignment, giving your video wall a seamless appearance.



Max load: 125lb (57kg)

FEATURES

- Adapter plate solution for digital signage displays with the VESA® 800 x 400mm mounting pattern
- Maximizes the width of the adapter rails to keep the depth adjustment near the corners of the display
- Ultra thin design adds only 0.10" of depth to the display
- Attaches to the adapter rail at the VESA® 300 mounting pattern
- Compatible with DS-VW765-LAND and DS-VW665 Video Wall Mounts



- **INCREASED COMPATIBILITY**
For displays with VESA® 800 x 400mm mounting patterns



Attaches to the adapter rail at the VESA® 300 mounting pattern



RoHS
2002/95/EC

MADE IN
USA

CLICK: peerless-av.com

CALL: 800.865.2112

FAX: 800.359.6500

peerless-AV®

ACC-DSVW8X4 VESA® 800x400mm Adapter Bracket for DS-VW665 and DS-VW765-LAND Video Wall Mounts

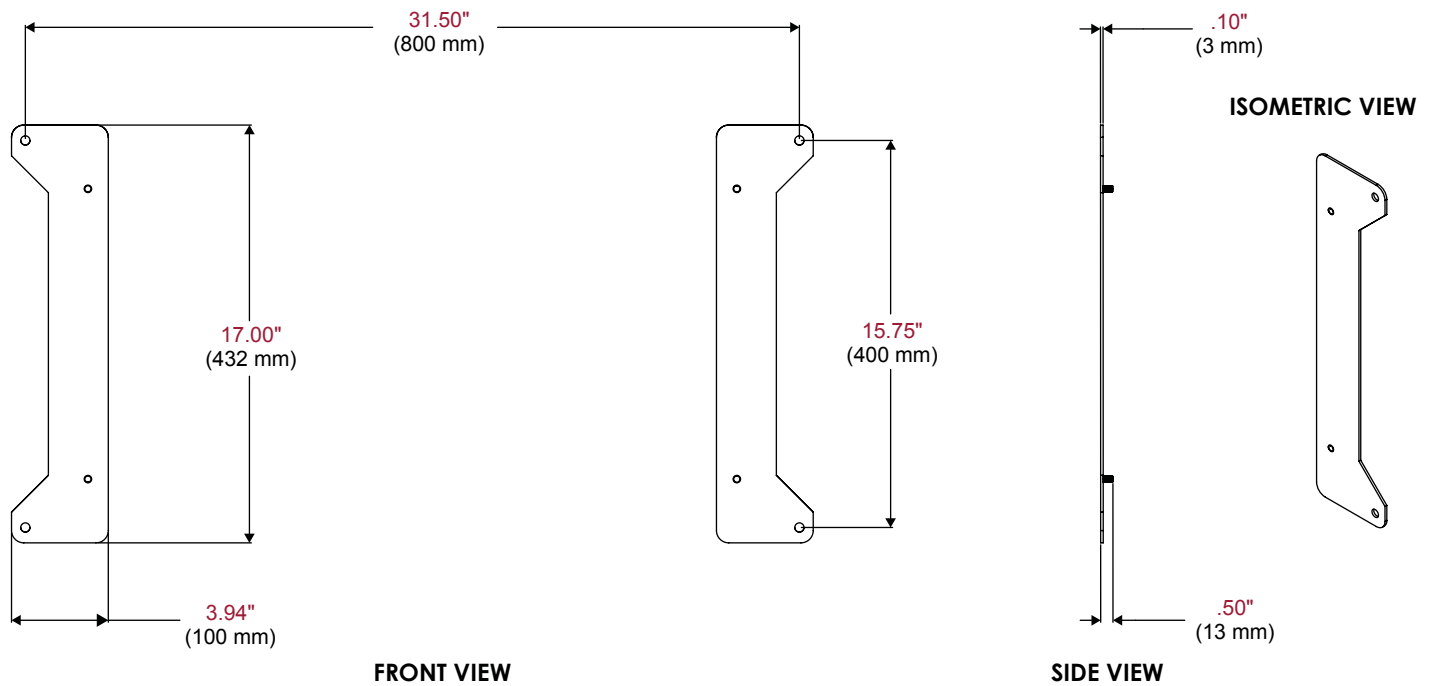
Product Specifications

	DIMENSIONS (W x H x D)	PRODUCT WEIGHT	LOAD CAPACITY	FINISH	AVAILABLE COLORS
ACC-DSVW8X4	3.9" x 17.0" x .5" (99 x 432 x 13mm)	2lb (1kg)	125lb (57kg)	Powder Coat	Black

Package Specifications

	PACKAGE SIZE (L x W x H)	PACKAGE SHIP WEIGHT	PACKAGE UPC CODE	PACKAGE CONTENTS	UNITS IN PACKAGE
ACC-DSVW8X4	24.5" x 6.0" x 1.38" (622 x 152 x 35mm)	3.1lb (1kg)	735029291565	Adapter set and hardware	1

All dimensions = inch (mm)



ARCHITECTS SPECIFICATIONS

The VESA® 800x400mm Adapter Bracket shall be Peerless model ACC-DSVW8X4 and shall be located where indicated on the plans. It shall be constructed of heavy gauge steel. The finish shall be scratch resistant black fused epoxy. Assembly and installation shall be done according to instructions provided by the manufacturer.