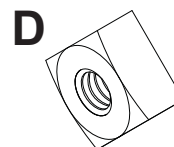
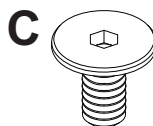
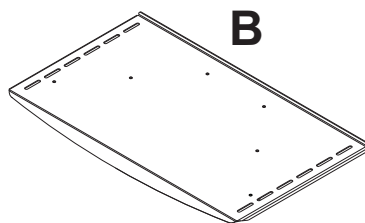
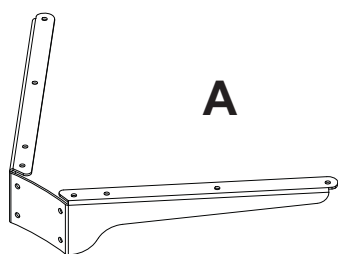
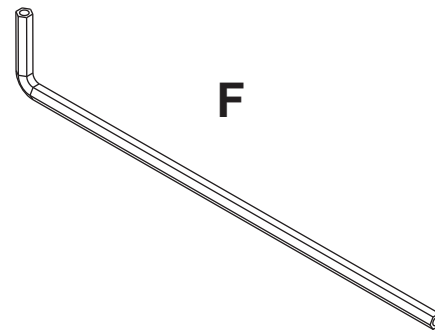


Before you begin, make sure all parts shown are included with your product.

Parts List

Description	Qty.	Part #
A shelf support	1	201-1158
B metal shelf	1	009-1225
C 1/4-20 x 12mm decorative screw	4	520-2325
D 1/4-20mm nut	4	530-1050
F 4mm allen wrench	1	560-9646
G nylock nut	6	530-1038



NOTE: If you are adding new shelf to an already assembled product, reverse steps up to the shelf installation step (removing screen and adapter plate from cart) following the main instruction sheet.

- Loosely attach four 1/4-20 x 12mm decorative screws (C) and 1/4-20 nuts (D) to shelf support (A).

NOTE: Refer to main instruction sheet for max shelf height.

- Slide shelf support (A) onto upright so that 1/4-20mm nuts (D) slide into slots of upright as shown in figure 2.1 and detail 1. Slide shelf support to desired position, level, then tighten 1/4-20 x 12mm screws (C) using 4 mm allen wrench (F).

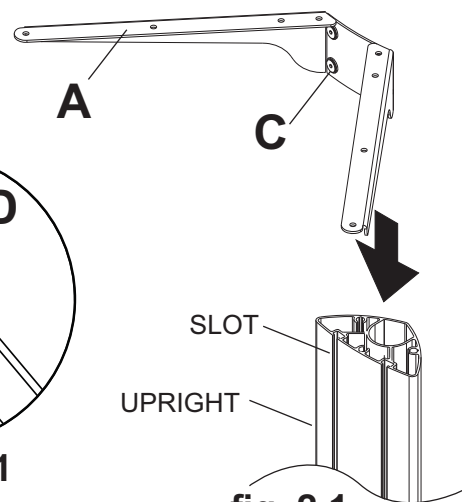
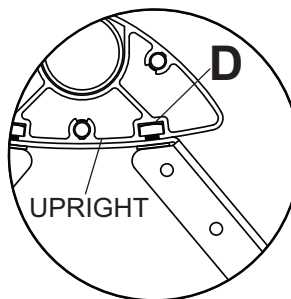
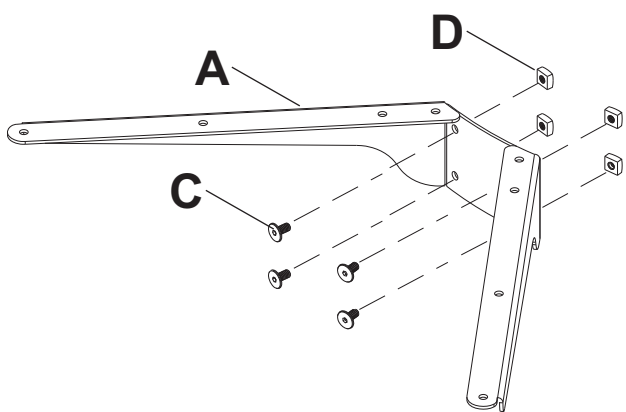


fig. 2.1

3

Attach shelf (B) to shelf support (A) using six 8/32 nylock nuts (G) as shown below.

