

**Installation and Assembly - Anti-Vibration Ceiling Mount**

Models: ACC 840  
ACC 845

This product is to be used in combination with model PJC 100 Projector Mount.



**IMPORTANT!** Read entire instruction sheet before you start installation and assembly.

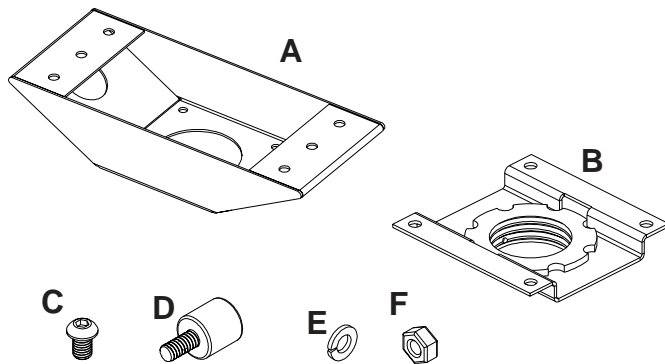
Before you start check the parts list below to make sure all of the parts shown are included.

**WARNING**

- Installer must verify that the wall will safely support four times the combined weight of projector mount and video projector.

**Parts List**

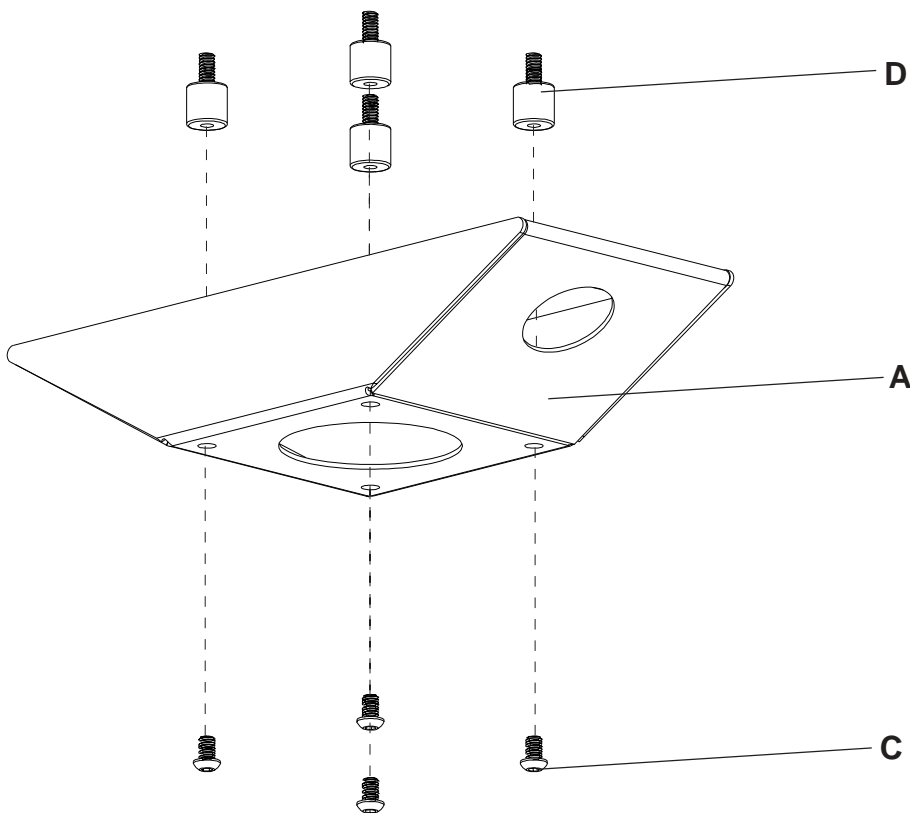
Description	Qty.	Part Number
A ceiling mount bracket	1	055-1173
B support bracket	1	055-1174
C 1/4-20 x 3/8" socket bolt	4	520-2015
D rubber mount	4	560-1135
E split washer	4	540-9402
F 1/4-20 hex head nut	4	530-9302



Note: Actual parts may appear slightly different than illustrated.

**1**

Fasten four rubber mounts (D) to ceiling bracket (A) using four 1/4-20 socket bolts (C).



2

Place support bracket (B) on top rubber mounts (D) then fasten using four split washers (E) and four 1/4-20 nuts (F). **Note: Make sure that open end of support bracket is faced outward.**

