

Installation and Assembly - Lightweight Cathedral Ceiling Plate for Projectors

Model: ACC 912



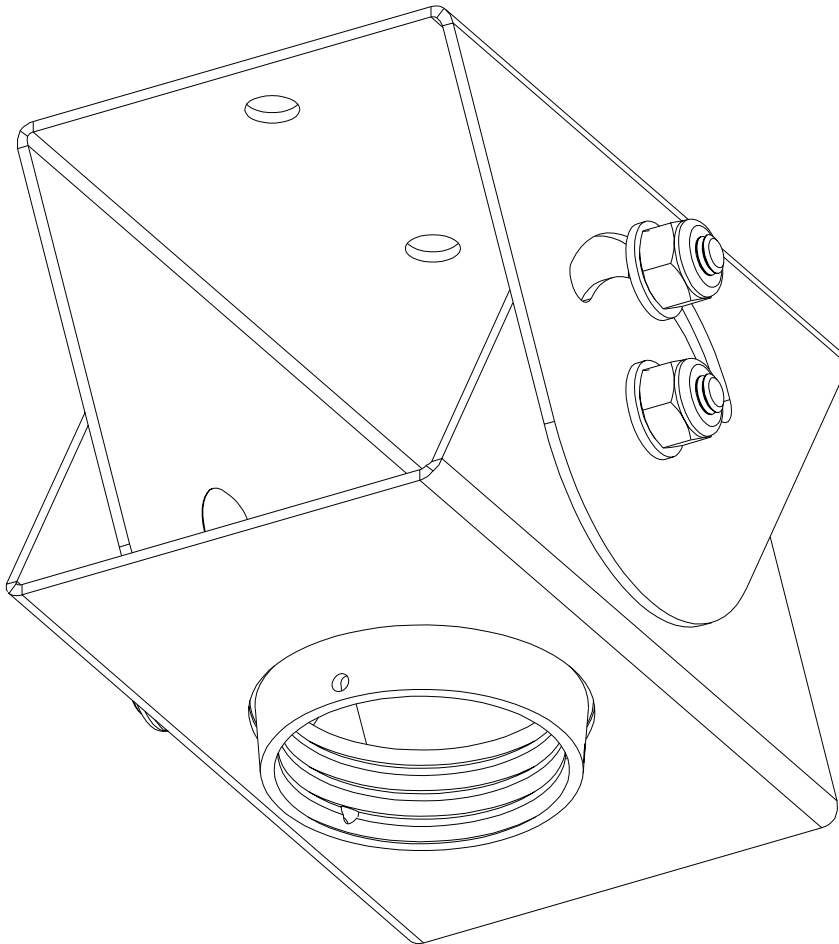
This product is intended for use with UL Listed products and must be installed by a qualified professional installer.

Maximum Load Capacity:
75 lb (34 kg)

Read instruction sheet before you start installation and assembly.

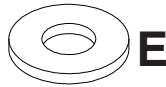
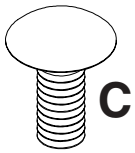
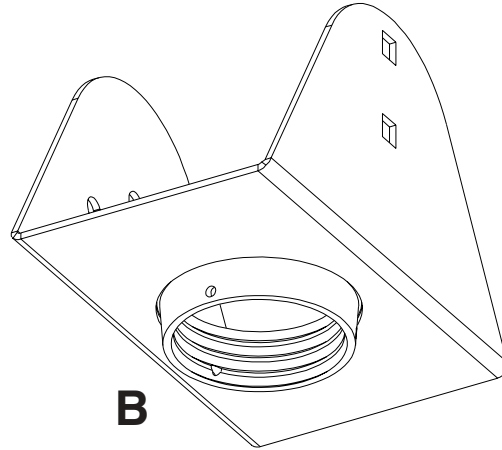
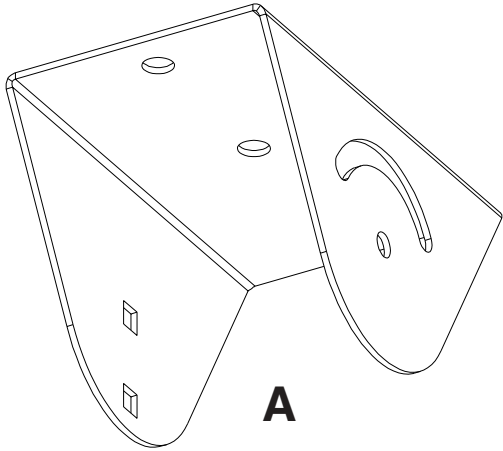
⚠ WARNING

- Installer must verify that the ceiling will safely support four times the combined weight of all attached equipment and hardware.



Parts List

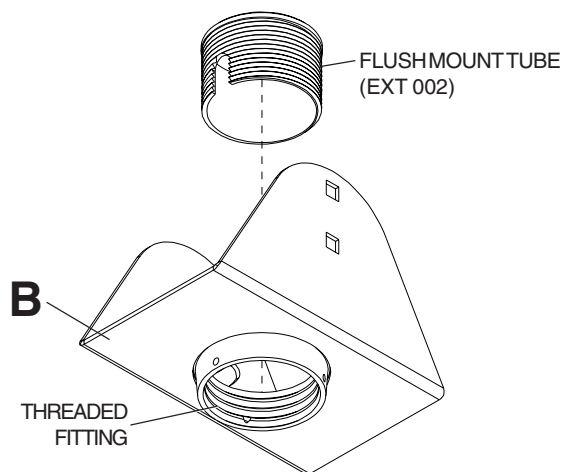
Description	Qty.	Part #
A upper ceiling bracket	1	055-1484
B lower ceiling bracket	1	055-1486
C 1/4-20 x 5/8" carriage bolt	4	520-1175
D 1/4-20 nylock nut	4	530-9413
E 1/4" ID x 3/4" OD washer	4	540-9401
F #14 x 2.5" hex head wood screw	2	5S1-015-C04
G M5 x .8 x 10 mm phillips self-tapping screw	1	520-9250



Flush Mount Tube Application (EXT 002 required)

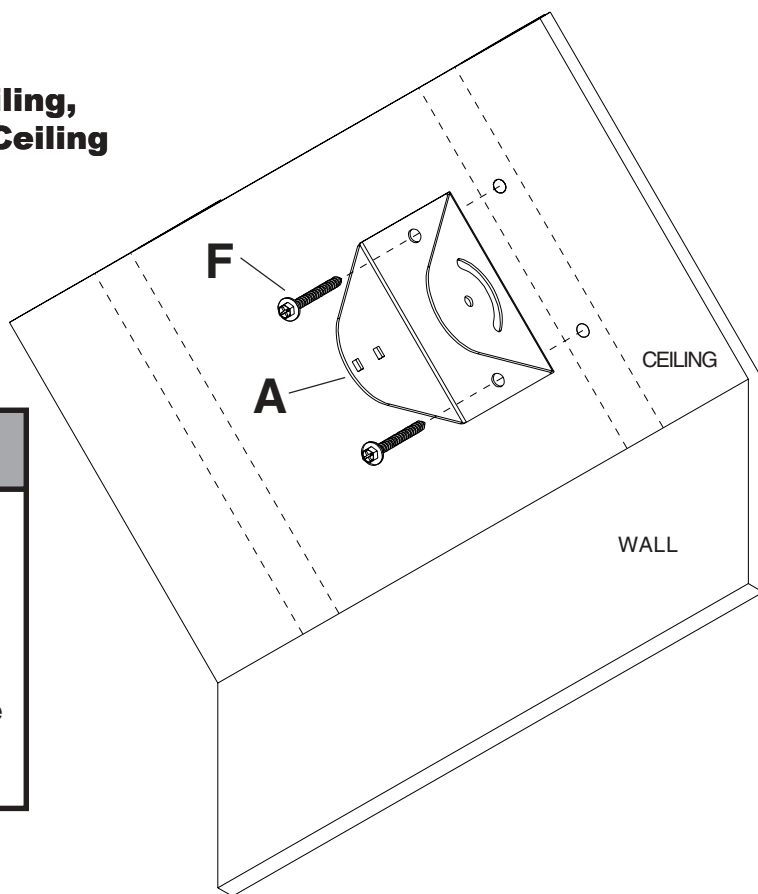
1 **Note:** Skip this step if you are installing an extension column.

Insert flush mount tube from the top, and thread flush mount tube into threaded fitting of lower ceiling bracket (B).



Installation to Wood Joist Finished Ceiling, Exposed Wood Joists, or Wood Beam Ceiling

2 Drill two 5/32" (4 mm) dia. holes to a minimum depth of 2.5" (64 mm). Attach upper ceiling bracket (A) with two #14 x 2.5" (6 mm x 65 mm) wood screws (F).



⚠ WARNING

- Tighten wood screws so that ceiling plate is firmly attached, but do not overtighten. Overtightening can damage the screws, greatly reducing their holding power.
- Never tighten in excess of 80 in. • lb (9 N.M.).
- Make sure that mounting screws are anchored into the center of the joist. The use of an "edge to edge" stud finder is highly recommended.

Installation to Concrete Ceiling

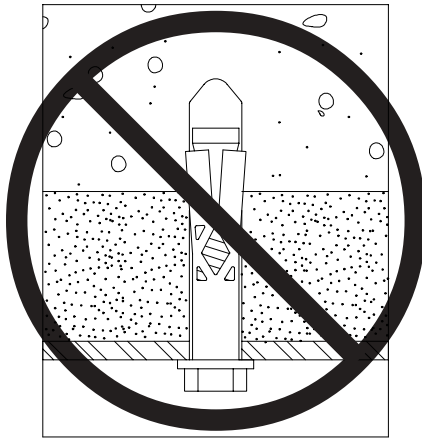
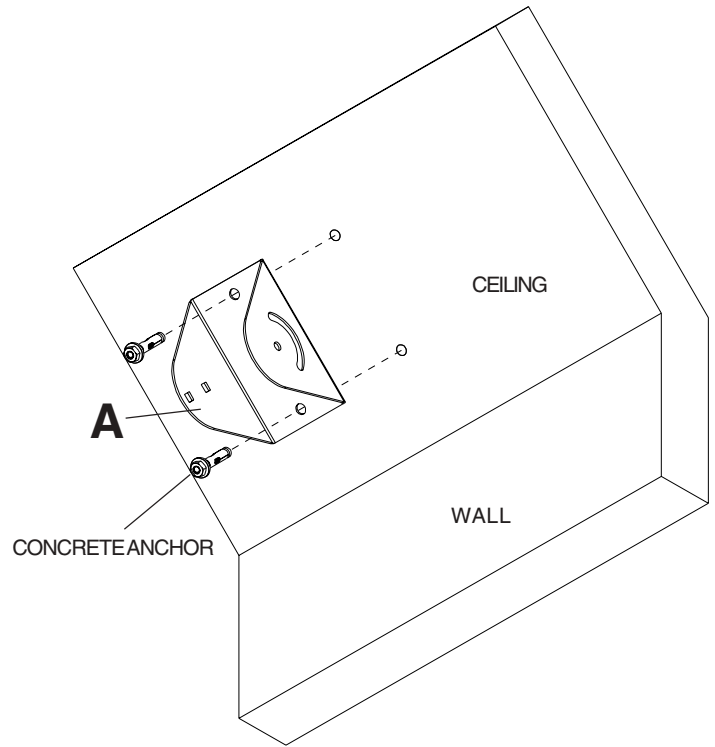
- 3** Drill two 5/16" (8 mm) dia. holes to a minimum depth of 1-3/4" (45 mm). Attach upper ceiling bracket (**A**) using concrete expansion anchors (ACC 200) as shown. Tighten to 80 in. • lb (9 N.M.) maximum torque.

⚠ WARNING

- Tighten concrete anchor bolts firmly, but do not overtighten. Overtightening can damage the bolts, greatly reducing their holding power.
- Never tighten in excess of 80 in. • lb (9 N.M.).

⚠ WARNING

- Always attach concrete expansion anchors directly to load-bearing concrete.
- Never attach concrete expansion anchors to concrete covered with plaster, drywall or other finishing material.



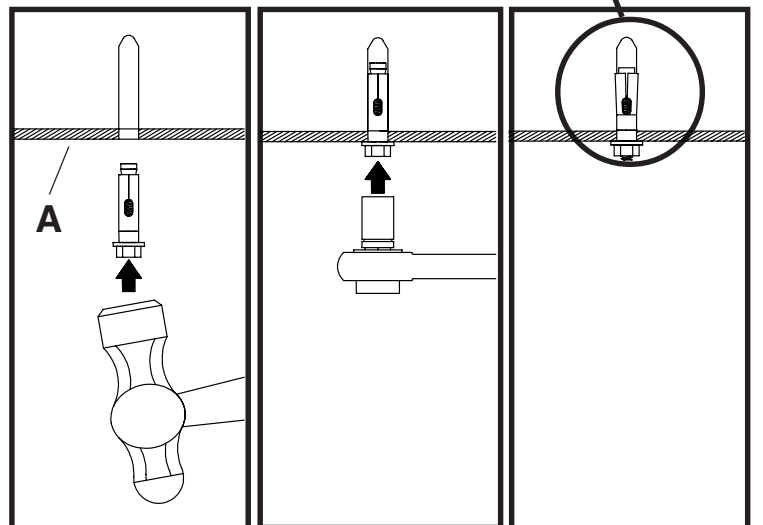
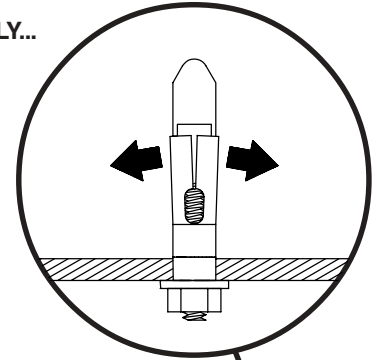
CUTAWAY VIEW

FOR PRODUCT SAFETY USE ONLY...

RAWL™ #5005 OR HILTI™ HL814 CONCRETE ANCHORS [.312 x 1.625 (8 mm x 41 mm)]. **ORDER ACCESSORY FASTENER KIT #ACC 200**

CONCRETE ANCHOR INSTALLATION

Cross Section: Attachment to a concrete ceiling.



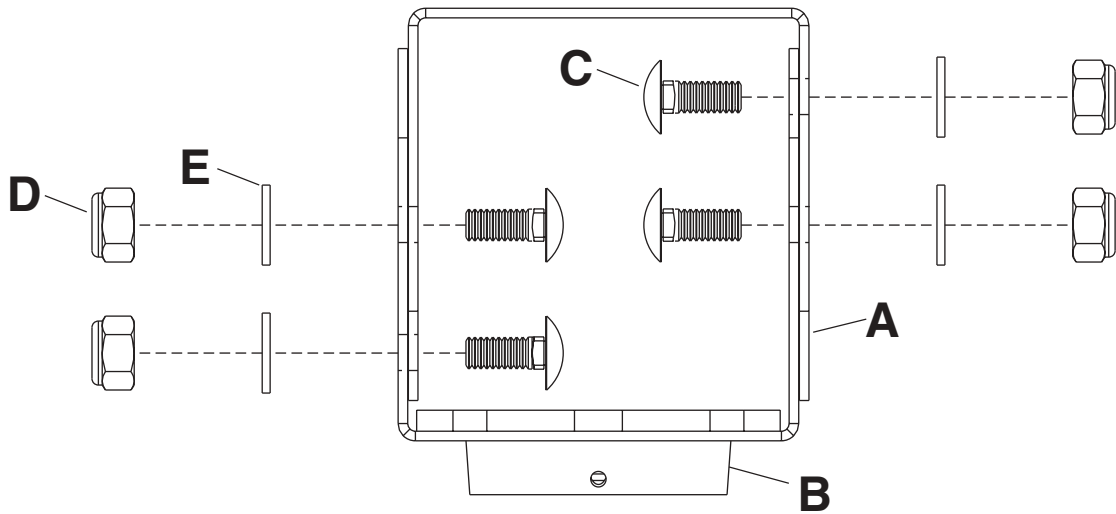
STEP 1: Hammer in concrete anchor.

STEP 2: Tighten to 80 in. • lb (9 N.M.) maximum torque to expand anchors.

4

Attach upper ceiling bracket (A) to lower ceiling bracket (B) by inserting four carriage bolts (C) through holes of ceiling brackets (A & B). Fasten bolts (C) with four washers (E) and nylock nuts (D) as shown.

Note: Adjust lower ceiling bracket (B) until it is level before tightening nuts (D).



1-1/2" Extension Column Application (EXT or ADJ series)

5

Screw extension column into lower ceiling bracket (B) and align slot of extension column with one of the holes in lower ceiling bracket (B). Thread M5 x 10 mm self-tapping screw (G) through lower ceiling bracket (B) into extension column as shown in detail 1.

Note: 3/4" extension column (FLP series) can be used in place of the EXT or ADJ series. Two pipe reducers (ACC 913) are required for installing the 3/4" column.

