

ACCXT300

SMARTMOUNT XT™

## Video Conferencing Shelf Accessory

Compatible with Peerless-AV™ SAX755PU, SAX762PU and SAX772PU mounts

It's never been easier to integrate video conferencing into any setting thanks to the Video Conferencing Shelf Accessory from Peerless-AV™. It fits virtually any video conferencing camera and offers the choice of mounting it above or below the display. There won't be any worries about camera position, as it provides simple height adjustment for the perfect camera position. All while providing a clean, fully integrated style that looks great anywhere from the boardroom to the classroom.



Max load: 10lb (4.5kg)

### FEATURES

- Universal, fits virtually any video conference cameras
- Compatible with Peerless-AV SAX755PU, SAX762PU and SAX772PU mounts
- Simple height adjustment provides perfect camera positioning
- Mounts above or below the display
- Low profile design keeps the low profile aspect of today's slim mounts
- Cable management slot keeps cables and cords neatly organized



Shown attached to Peerless-AV SAX762PU mount

RoHS



INTEGRATED  
PARTNER  
PROGRAM

Contact your Peerless-AV sales representative for more information

CLICK: [www.peerless-av.com](http://www.peerless-av.com)

CALL: 800.865.2112

FAX: 800.359.6500

peerless-AV™

**ACCXT300** SmartMountXT™ Video Conferencing Shelf Accessory compatible with Peerless-AV SAX755PU, SAX762PU and SAX772PU mounts

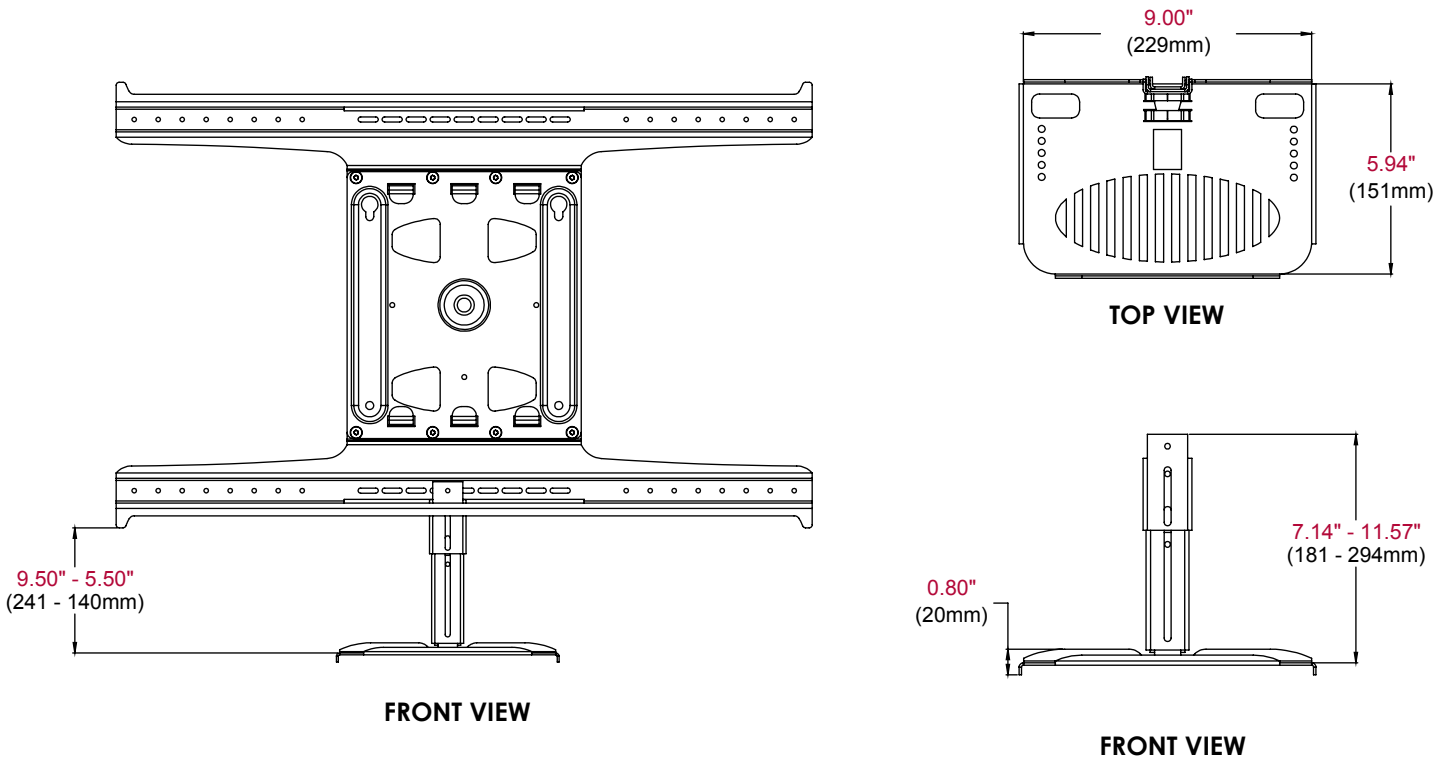
Product Specifications

	DIMENSIONS (W x H x D)	PRODUCT WEIGHT	LOAD CAPACITY	FINISH	AVAILABLE COLORS
ACCXT300	9.00" x 7.14"-11.57" x 5.94" (229 x 181-294 x 151mm)	1.55lb (0.7kg)	10lb (4.5kg)	Powder coat	Black

Package Specifications

	PACKAGE SIZE (W x H x D)	PACKAGE SHIP WEIGHT	PACKAGE UPC CODE	PACKAGE CONTENTS	UNITS IN PACKAGE
ACCXT300	6.375" x 3.25" x 13.56" (162 x 83 x 344mm)	2.2lb (1.0kg)	735029279945	Universal video conferencing shelf mount, mount attachment hardware, installation instructions	1

All dimensions = inch (mm)



ARCHITECTS SPECIFICATIONS

The SmartMountXT™ Video Conferencing Shelf Accessory shall be a Peerless-AV model ACCXT300 and shall be located where indicated on the plans. It shall feature scratch resistant black fused epoxy finish. Assembly and installation shall be done according to instructions provided by the manufacturer.

Peerless Industries, Inc. ■ 2300 White Oak Circle ■ Aurora, IL 60502 ■ (800) 865-2112 ■ (630) 375-5100 ■ Fax: (800) 359-6500 ■ [www.peerless-av.com](http://www.peerless-av.com)

Visit [www.peerless-av.com](http://www.peerless-av.com) to see the complete line of AV solutions from Peerless-AV, including flat panel mounts, projector mounts, carts/stands, furniture, cables, screen cleaners and a full assortment of accessories.