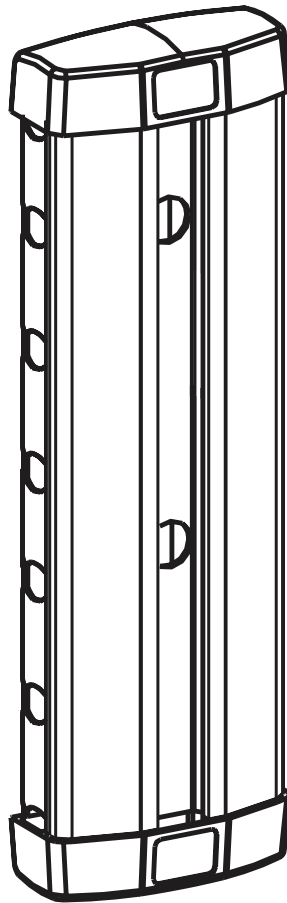




Installation and Assembly:

Cable Management Column

Models: ACWAC1/BK, ACWAC1/SI



Features:

- Fully compatible with A/V Component Shelf (sold separately)
- Perfect for concealing cables out of sight for a clean, stylish look
- 12" (305 mm) column provides ample space for multiple cables
- Designed for low-profile installation at only 1.5" (38 mm) depth from the wall

Visit Peerless at www.peerless-av.co.uk

NOTE: Read entire instruction sheet before you start installation and assembly.

⚠ WARNING

- Do not begin to install your Peerless product until you have read and understood the instructions and warnings contained in this Installation Sheet. If you have any questions regarding any of the instructions or warnings, for US customers please call Peerless customer care at 1-800-865-2112, for all international customers, please contact your local distributor.
- This product should only be installed by someone of good mechanical aptitude, has experience with basic building construction, and fully understands these instructions.
- Make sure that the supporting surface will safely support the combined load of the equipment and all attached hardware and components.
- If mounting to wood wall studs, make sure that mounting screws are anchored into the center of the studs. Use of an "edge to edge" stud finder is highly recommended.
- Always use an assistant or mechanical lifting equipment to safely lift and position equipment.
- Tighten screws firmly, but do not overtighten. Overtightening can damage the items, greatly reducing their holding power.
- This product is intended for indoor use only. Use of this product outdoors could lead to product failure and personal injury.
- This product was designed to be installed on the following wall construction only;

WALL CONSTRUCTION

HARDWARE REQUIRED

- | | |
|--------------------|--|
| • Wood Stud | Included |
| • Wood Beam | Included |
| • Solid Concrete | Included |
| • Cinder Block | Included |
| • Metal Stud | Do not attach except with Peerless Metal Stud Accessory Kit; ACC215
Contact Customer Service for Peerless metal stud accessory kit. |
| • Brick | Contact Qualified Professional |
| • Other or unsure? | Contact Qualified Professional |

Tools Needed for Assembly

- stud finder ("edge to edge" stud finder is recommended)
- phillips screwdriver
- drill
- 5/16" (8 mm) bit for concrete and cinder block wall
- 5/32" (4 mm) bit for wood stud wall
- level

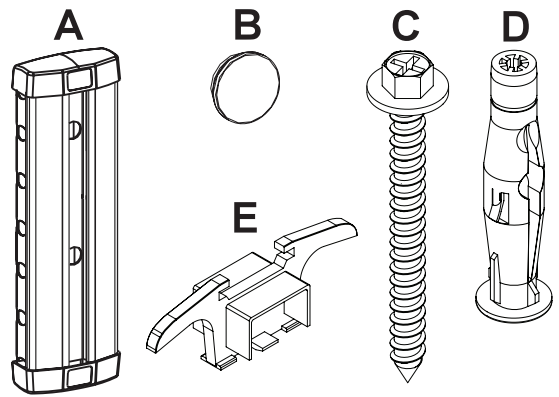
Table of Contents

Parts List.....	3
Installation to Wood Stud Wall.....	3
Installation to Solid Concrete or Cinder Block	4
Cable Management	5
Attaching Additional Column.....	5

Before you begin, make sure all parts shown are included with your product.

Parts may appear slightly different than illustrated.

Parts List				
Description	Qty.	ACWAC1/BK	ACWAC1/SI	
A column	1	083-1035	083-4035	
B rubber cap	2	560-1741	560-1741	
C #14 x 2.5" wood screw	2	5S1-015-C03	5S1-015-C03	
D concrete anchors	2	590-0320	590-0320	
E column connector	1	590-1331	590-1331	



Installation to Single Wood Stud Wall

1 **NOTE:** If installing A/V Component Shelf (sold separately) or additional Cable Management Columns remove end caps before installation.

Column (A) can be mounted to a single stud. Use a stud finder to locate the edges of the stud. Use of an edge-to-edge stud finder is highly recommended. Based on their edges, draw a vertical line down the stud's center. Place column (A) on wall as a template. Level column and mark the center of the two mounting holes as shown in figure 1.1. Make sure that the center mounting holes are on the stud center lines. Drill two mounting holes 5/32" (4 mm) dia. by 2.5" (64 mm) deep. Secure column (A) with two #14 x 2.5" wood screws (C) as shown in figure 1.2.

Tighten fasteners then cover #14 x 2.5" wood screws (C) with rubber caps (B).

Skip to step 3

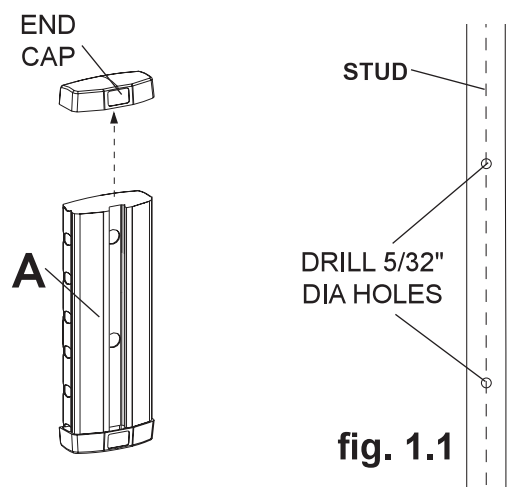


fig. 1.1

⚠ WARNING

- Installer must verify that the supporting surface will safely support the combined load of the equipment and all attached hardware and components.
- Tighten wood screws so that column is firmly attached, but do not overtighten. Overtightening can damage the screws, greatly reducing their holding power.
- Never tighten in excess of 80 in. • lb (9 N.M.).
- Make sure that mounting screws are anchored into the center of the stud. The use of an "edge to edge" stud finder is highly recommended.
- Hardware provided is for attachment of mount through standard thickness drywall or plaster into wood studs. Installers are responsible to provide hardware for other types of mounting situations.

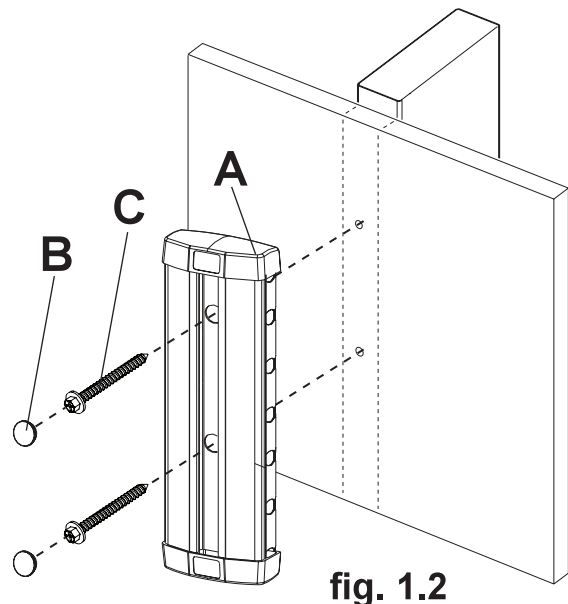


fig. 1.2

Installation to Solid Concrete or Cinder Block

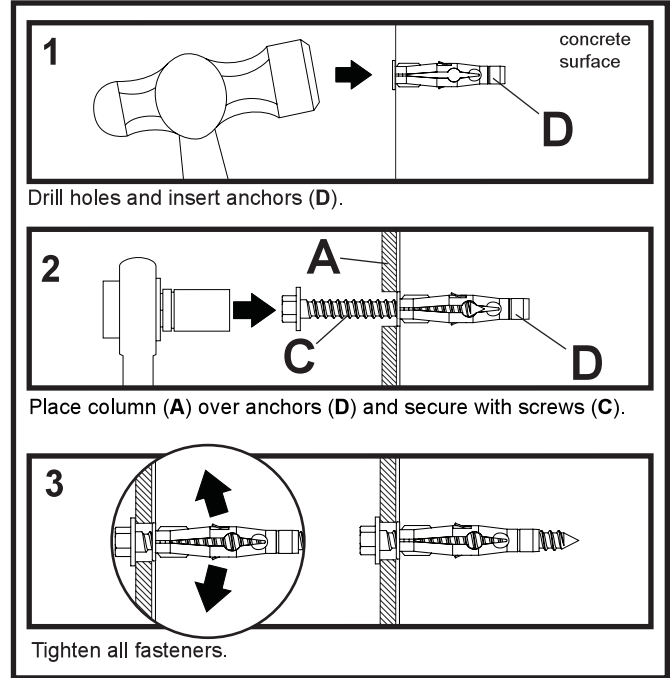
⚠ WARNING

- When installing Peerless wall mounts on cinder block, verify that you have a minimum of 1-3/8" (35 mm) of actual concrete thickness in the hole to be used for the concrete anchors. Do not drill into mortar joints! Be sure to mount in a solid part of the block, generally 1" (25 mm) minimum from the side of the block. Cinder block must meet ASTM C-90 specifications. It is suggested that a standard electric drill on slow setting is used to drill the hole instead of a hammer drill to avoid breaking out the back of the hole when entering a void or cavity.
- Concrete must be 2000 psi density minimum. Lighter density concrete may not hold concrete anchor.
- Installer must verify that the supporting surface will safely support the combined load of the equipment and all attached hardware and components.

2 **NOTE:** If installing A/V Component Shelf (sold separately) or additional Cable Management Columns remove end caps before installation.

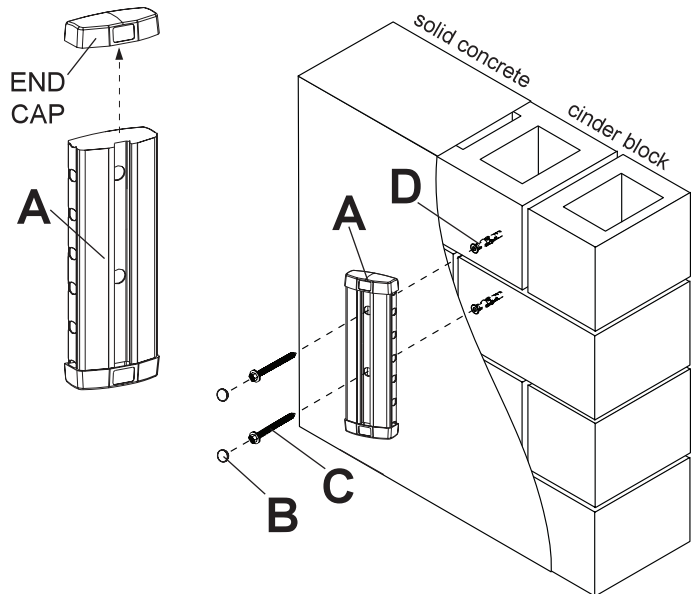
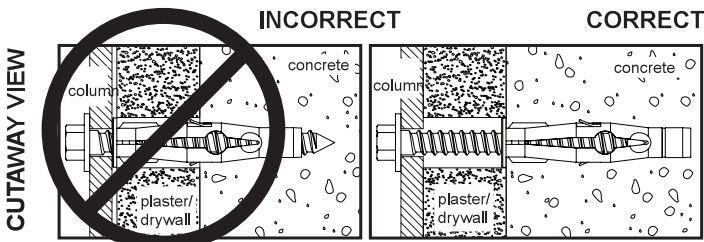
Make sure that column (A) is level, use it as a template to mark two mounting holes. Drill two 5/16" (8 mm) dia. holes to a minimum depth of 2.5" (64 mm). Insert anchors (D) in holes flush with wall as shown. Place column (A) over anchors and secure with two #14 x 2.5" screws (C).

Tighten fasteners then cover #14 x 2.5" wood screws (C) with rubber caps (B).



⚠ WARNING

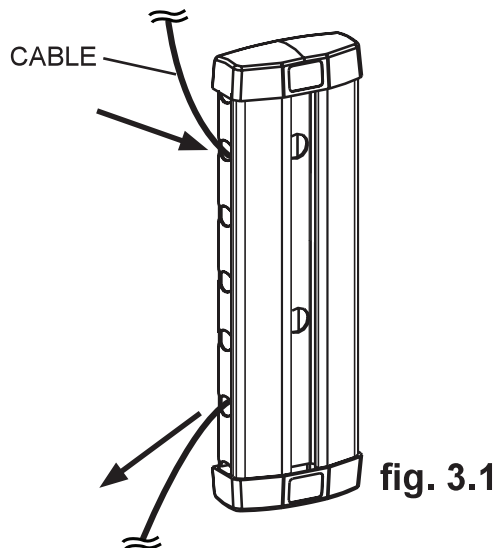
- Tighten screws so that column is firmly attached, but do not overtighten. Overtightening can damage screws, greatly reducing their holding power.
- Never tighten in excess of 80 in. • lb (9 N.M.).
- Always attach concrete expansion anchors directly to load-bearing concrete.
- Never attach concrete expansion anchors to concrete covered with plaster, drywall, or other finishing material. If mounting to concrete surfaces covered with a finishing surface is unavoidable, the finishing surface must be counter bored as shown below. Be sure concrete anchors do not pull away from concrete when tightening screws. If plaster/drywall is thicker than 5/8" (16 mm), custom fasteners must be supplied by installer.



Cable Management

- 3** Cables can be routed along the side interior of the column as shown in figure 3.1.

NOTE: For best system performance, route the power cables separately from the signal cables.



Attaching Additional Cable Management Columns

- 4** Attach column connector (E) to mounted column (A). Then attach additional column (sold separately) to column connector (E) as shown in figure 4.1.

See step 1 or 2 to secure additional column (sold separately) to wall.

