



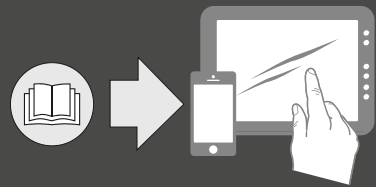
# ASA 214

## Antenna Splitter

Quick Guide  
Kurzanleitung  
Guide rapide  
Guida rapida  
Guía de inicio rápido  
Guia rápido  
Beknopte handleiding  
Krótka instrukcja obsługi  
Snabbguide

Kort vejledning  
Pikaohje  
Γρήγορος οδηγός  
Kisa Kılavuz  
Краткая инструкция  
快速指南  
快速使用指南  
クイックガイド  
퀵 가이드

**SENNHEISER**



**Sennheiser Documentation App**



or online at  
[www.sennheiser.com/download](http://www.sennheiser.com/download)

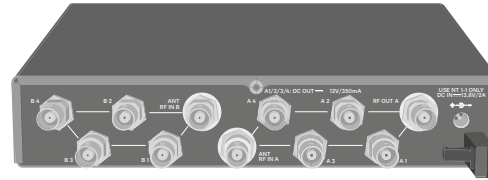
ASA 214\_

Sennheiser electronic GmbH & Co. KG

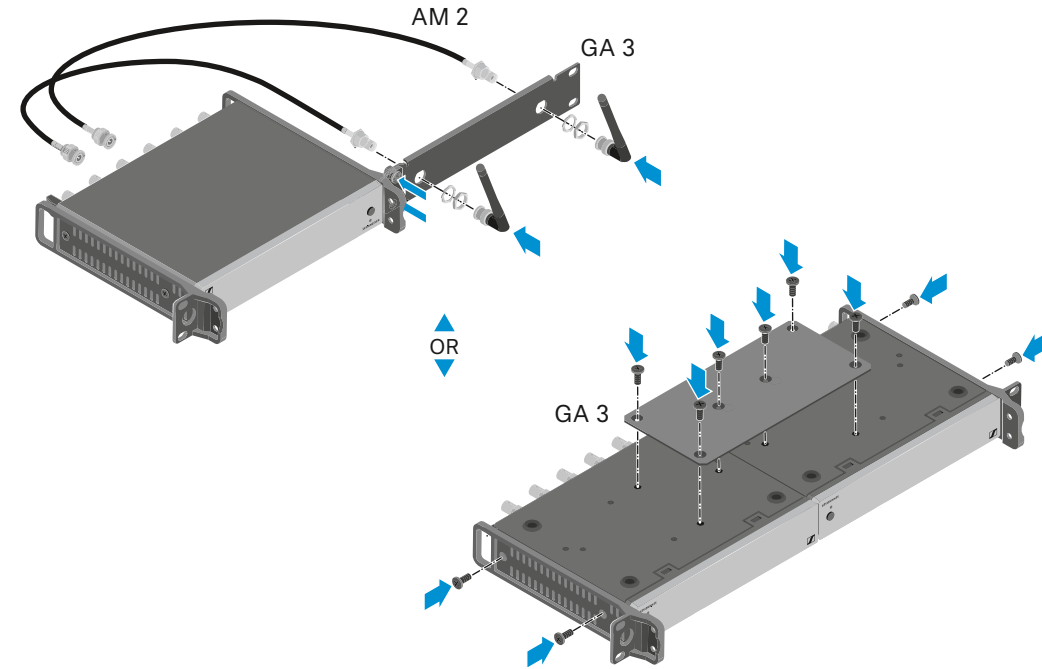
Am Labor 1, 30900 Wedemark, Germany  
[www.sennheiser.com](http://www.sennheiser.com)

Publ. 03/18, 578663/A02

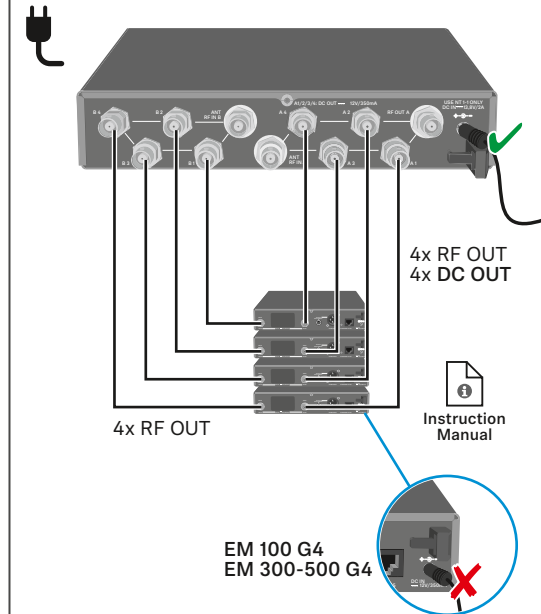
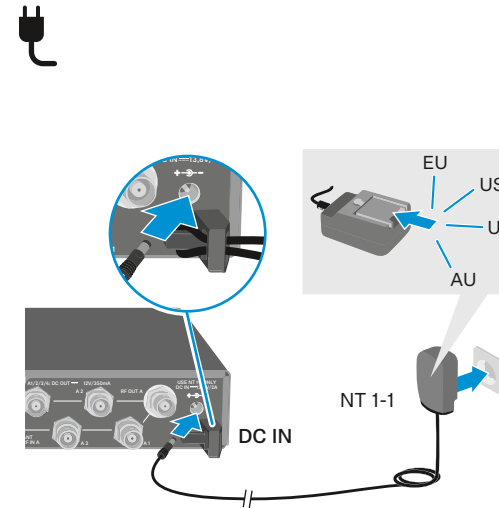
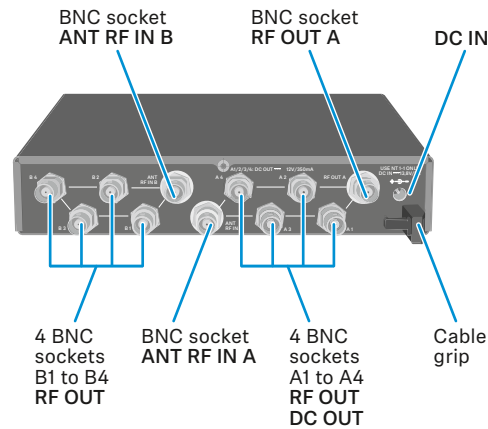
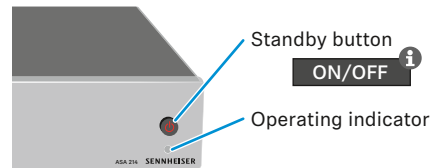
### ASA 214



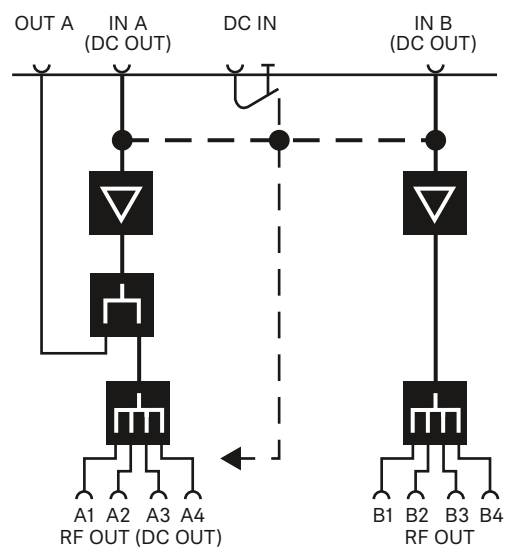
### Setup



### Operating elements

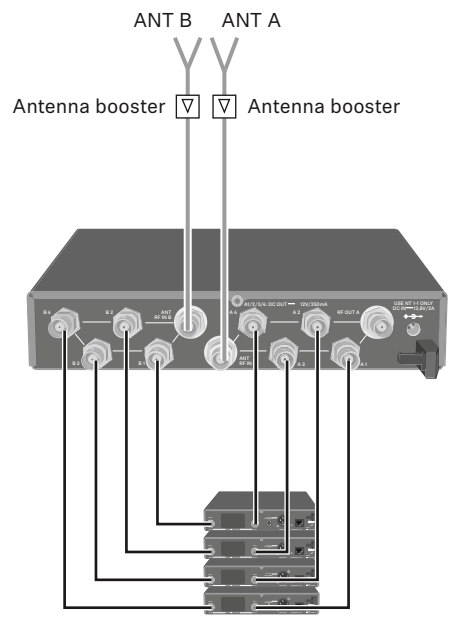


**Block diagram**

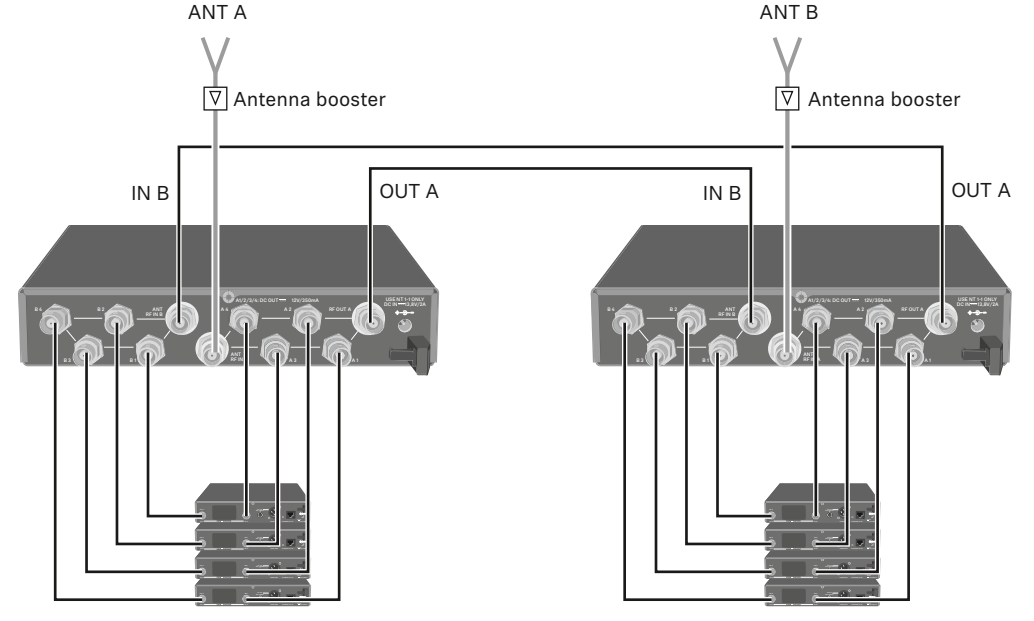


**Connecting devices**

**A: Connecting the receivers**



**B: Linking two 4-channel systems**



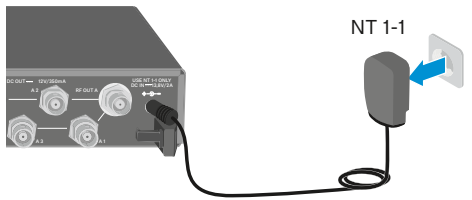
**ON/OFF**

**ON/Standby**

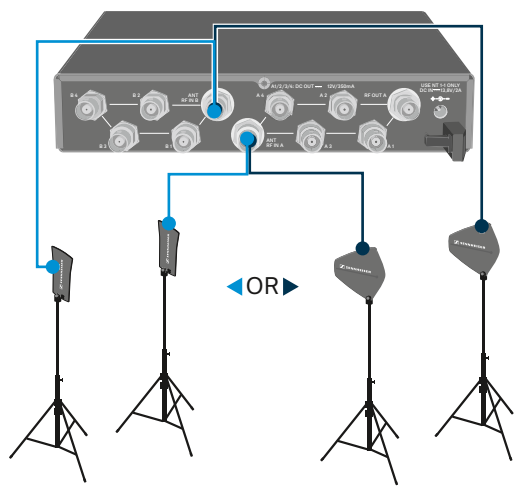


	ASA 214
short	on
long	standby

**OFF**



Remote antennas, maximum cable lengths and antenna boosters → Instruction Manual



**C: Two antennas supply an 8-channel system**

