



KEY FEATURES

- High Power passive portable Line Array element
- 6 x 3.5" neodymium transducers with waterproof cones
- 180W continuous power – 360W program power
- Line Array dispersion characteristics
- Acoustic transmission line back loading design, resulting in clean mid-bass reproduction and natural cardioid behaviour
- Wide horizontal dispersion through Front Diffraction Waveguide (FDW)
- Fast, easy-to-use integrated suspension system
- Aluminium frame structure
- Designed for mobile and installed applications
- Black or white finish

TECHNICAL SPECIFICATIONS

SYSTEM

System's Acoustic Principle	Line Array Element Short Transmission Line Back Loading Acoustic Diffractor
Frequency Response ($\pm 3\text{dB}$)	200 Hz - 16 kHz (Processed)
Nominal Impedance	32 Ohms
Horizontal Coverage Angle	100°
Sensitivity (5.66V)	102 dB SPL @ 1m*
Maximum (peak) SPL	124 dB SPL @ 1m*

TRANSDUCERS

Type	6 x 3.5" (88mm) Neodymium magnet woofers, 1" (25mm) VC
Cone	Waterproof Cone
Voice Coil Type	Ventilated voice coil

INPUT CONNECTIONS

Connector Type	Neutrik® speakON® NL4 x 2 (1+/1- signal IN & LINK ; 2+/2-thru)
----------------	--

POWER HANDLING

Continuous AES Pink Noise Power	180 W
Program Power	360 W

ENCLOSURE & CONSTRUCTION

Width	107 mm
Height	626 mm (without flying system) 673 mm (with flying system)
Depth	193 mm
Enclosure Material	Aluminium
Paint	High resistance, water based paint, black or white finish
Flying system	Aluminum Fast Link structure with dedicated pins
Net Weight	6.6 kg / 13.8 lbs (without flying system) 8.7 kg / 19.1 lbs (with flying system)

*measured @4 m and scaled @1 m

APPLICATIONS

- Portable system for live bands
- Installed system for theatres, clubs, houses of worship, conference rooms
- Portable AV system for corporate events
- High performance mobile DJ system



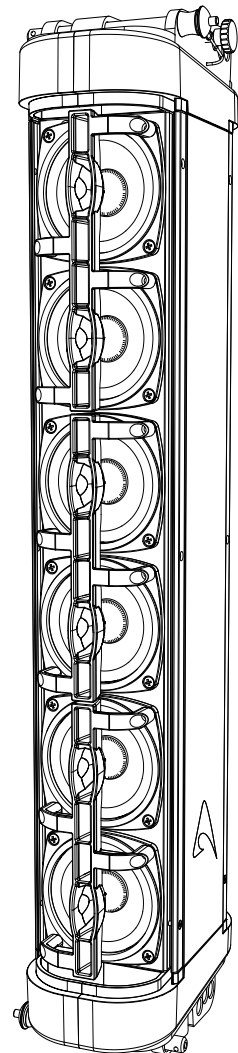
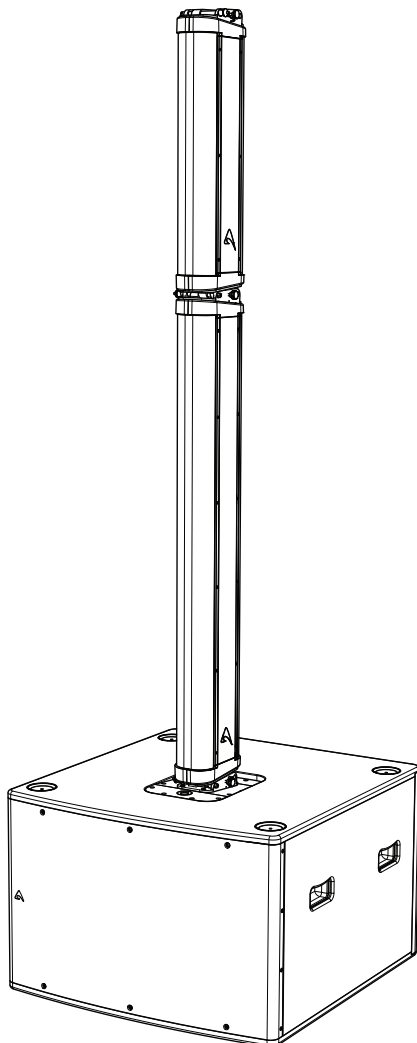
DESCRIPTION

The AX6C Line Array is a passive system equipped with six 3.5" neodymium transducers with waterproof cones, designed for portable and permanently installed applications where high power and clarity are needed. The aluminum frame box structure ensures lightweight and strength, while the shape features a back-loaded transmission line design that delivers clean mid-bass reproduction and natural cardioid behaviour. A Front Diffraction Waveguide (FDW) delivers wide horizontal dispersion, making the system flexible and adaptable to many different applications.

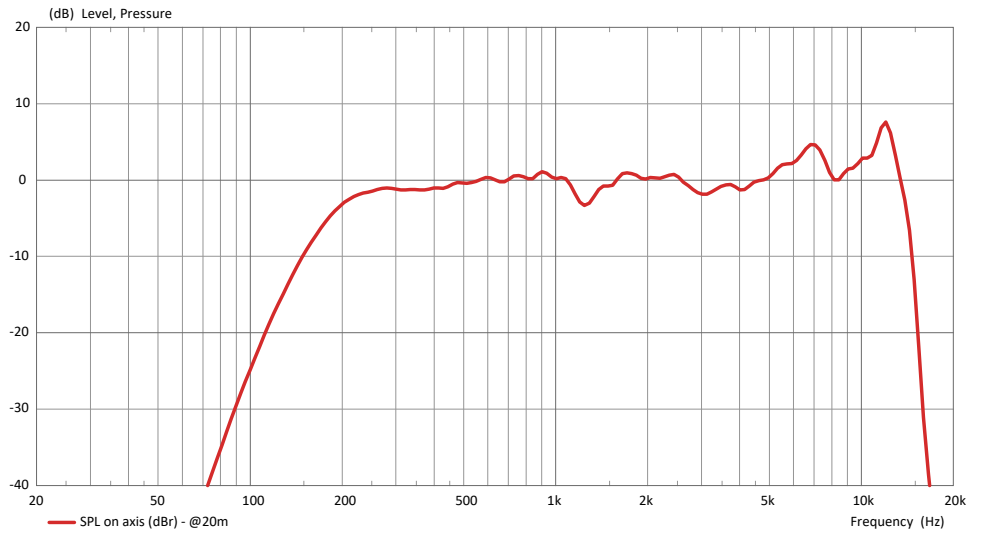
THE SYSTEM

The AX6C line array module has been designed to be used as a stand-alone or multiple column system in fixed installations, frontfill, or under balcony applications, and for low-profile stage monitoring solutions. It can also be combined with AX12C and AX12LF columns in multiple column systems in different configurations.

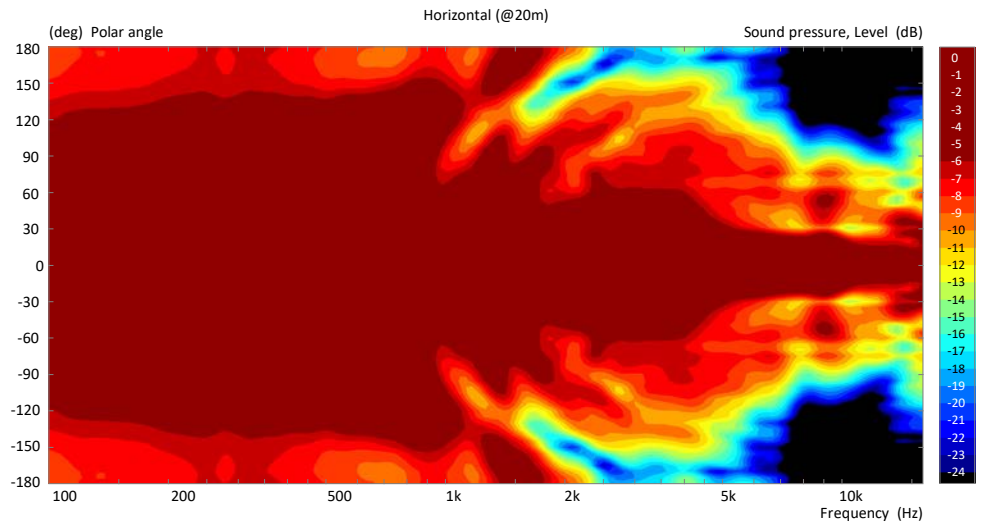
The AX6C can be driven by the SW2100A processed active subwoofer or by QC Series Class D processed amplifiers. Up to eight AX6C modules (or different combinations of AX6C and AX12C) can be driven by one channel of the SW2100A subwoofer or of a QC amplifier. Different presets for different combinations are available for the built-in CORE DSP, which can be also remotely controlled using PRONET AX software.



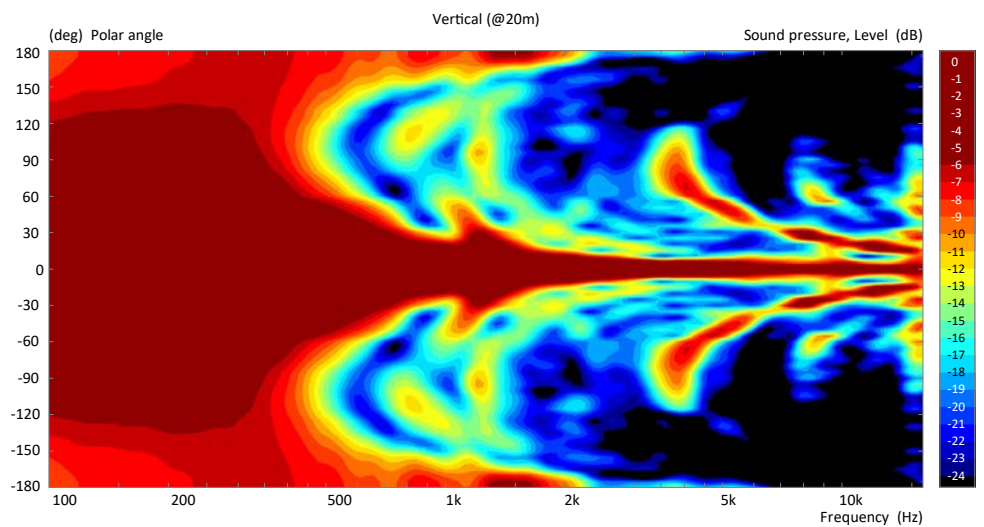
AX6C frequency response



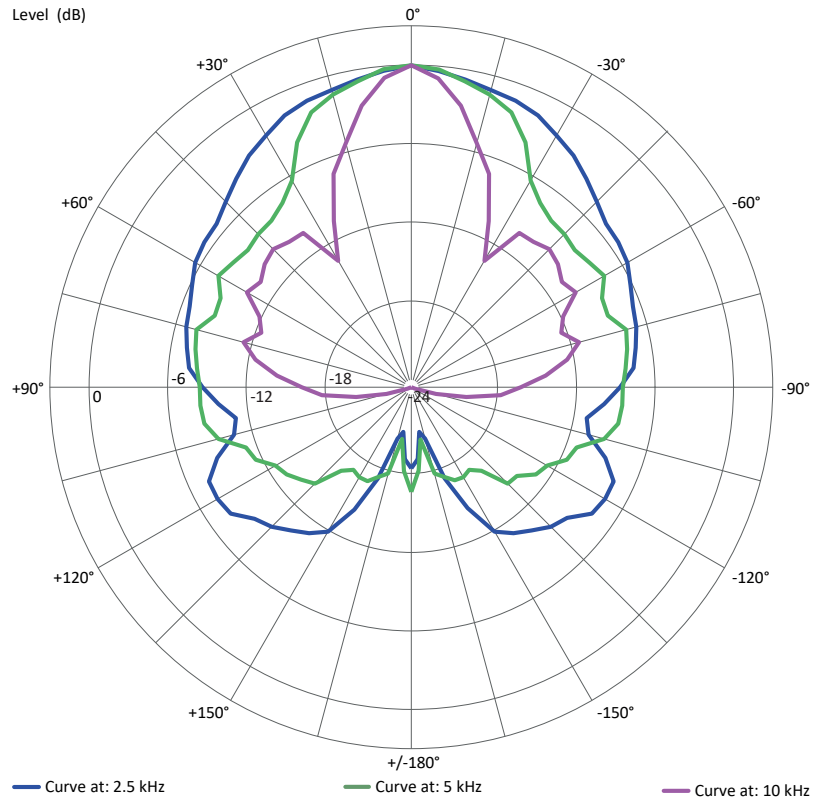
AX6C HORIZONTAL directivity map



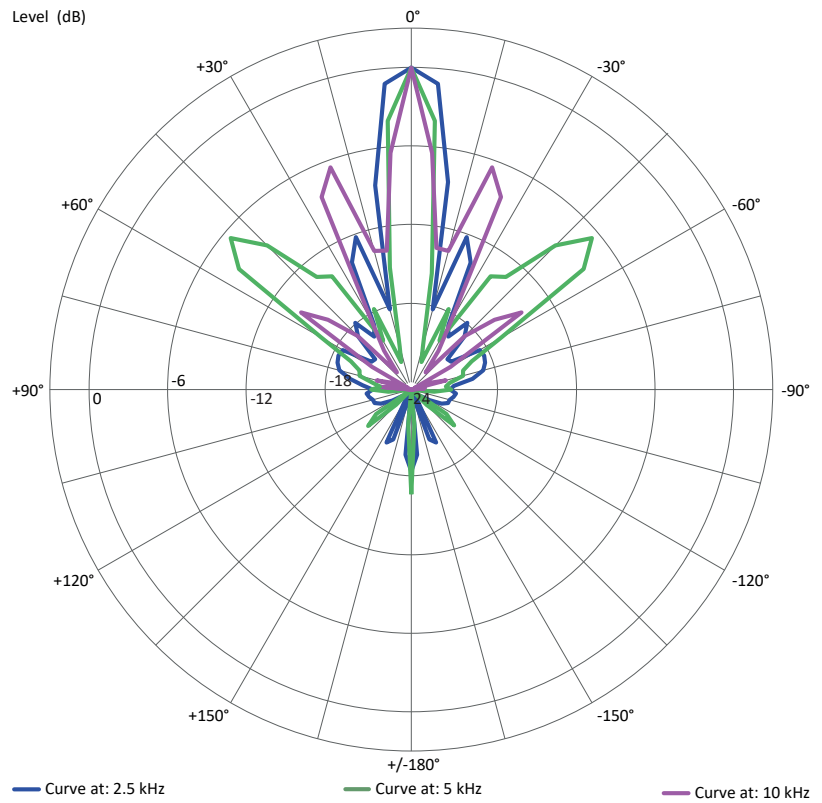
AX6C VERTICAL directivity map



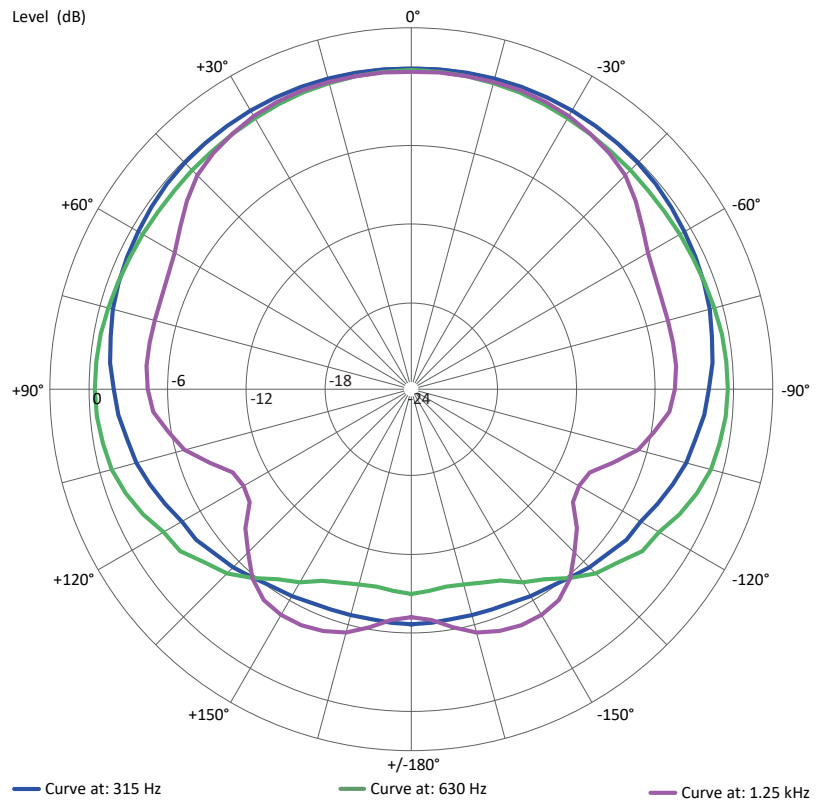
AX6C HF HORIZONTAL polar diagram



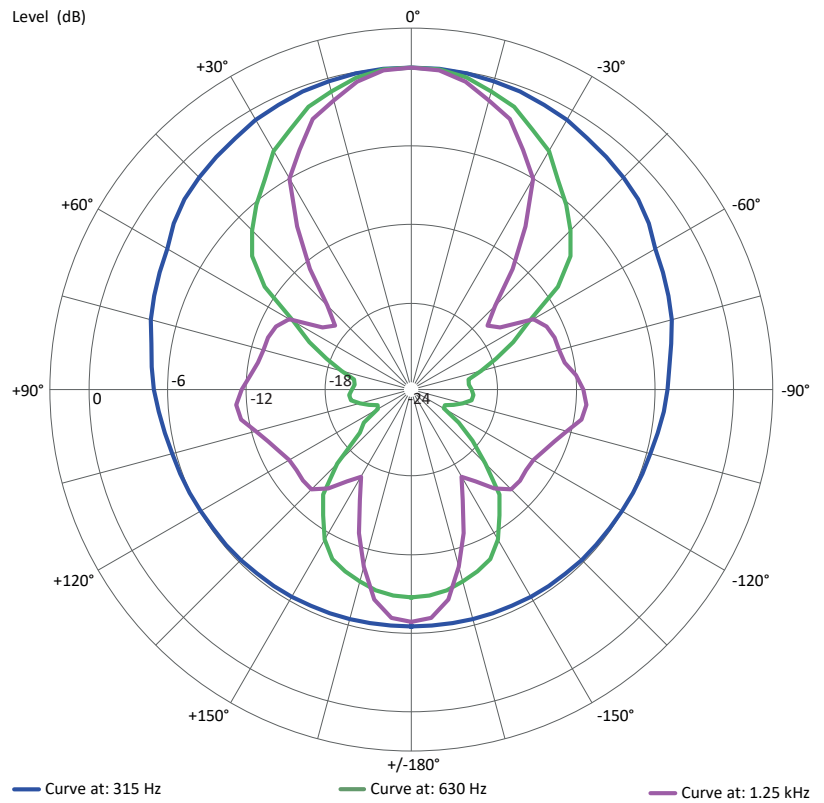
AX6C HF VERTICAL polar diagram



AX6C LF HORIZONTAL polar diagram



AX6C LF VERTICAL polar diagram

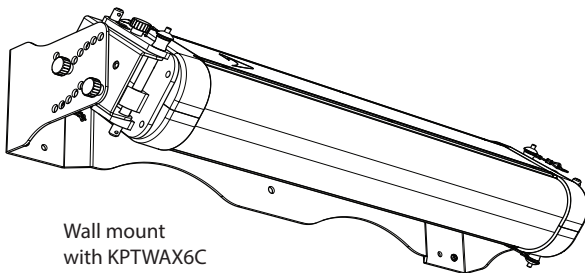


RIGGING HARDWARE AND ACCESSORIES

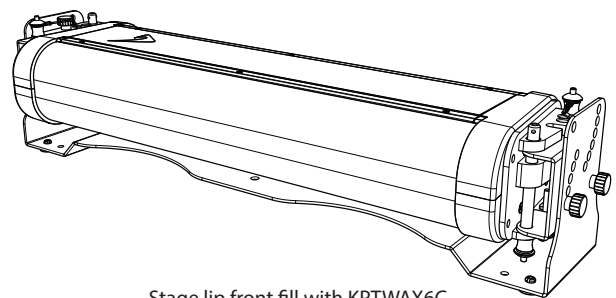
Thanks to the elegant mechanical design the AX6C can be easily transported, while the integrated suspension system makes its deployment very fast and simple. Each unit comes with two aluminum brackets and four pins that allows multiple array elements to be easily combined either together, with the AX12C, or with the matching SW2100A subwoofer. The brackets allow inter-cabinet angles of 0° and 2°.

A complete range of accessories for transport, installation and connections are available.

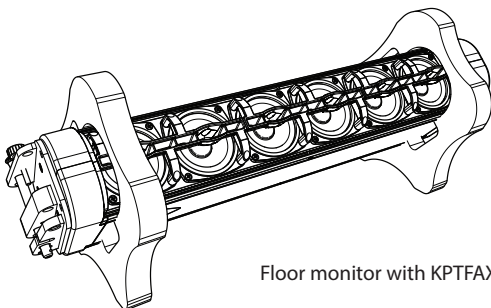
KPTAX12C	Flybar for suspending up to 8 units
KPTWAX6C	Bracket for wall, ceiling, or floor mounting
KPTWAX12C	Wall bracket for up to 4 units
KPTFAXC	Foam adapters for stage monitor or frontfill application
KPTFAX12C	Floor stand
KPTPOLEAX12C	Pole adapter
AXCASE12PT	Flight case for six AX6C
COVERAX6C	Cover / carry bag for single AX6C
PLG716	Galvanised steel shackle
ESO2500LU025	25cm 4x4mm speakON™ linking cable



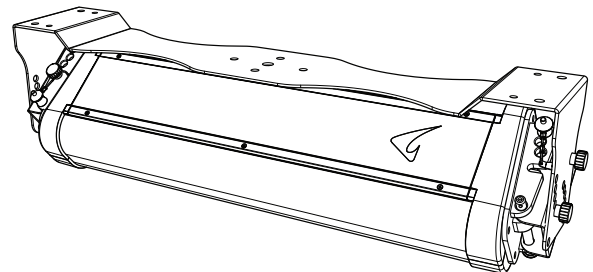
Wall mount
with KPTWAX6C



Stage lip front fill with KPTWAX6C



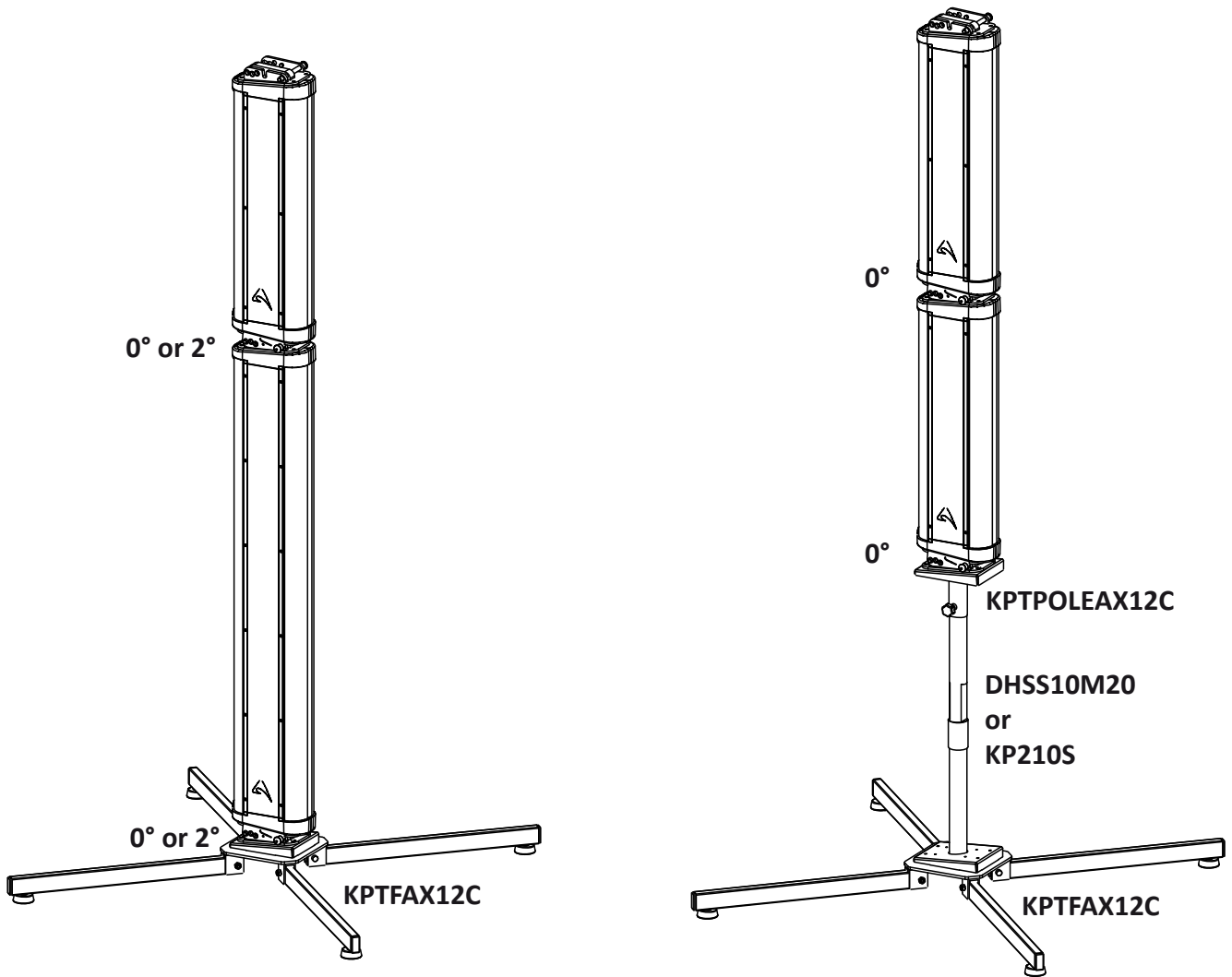
Floor monitor with KPTFAXC



Ceiling mount with KPTWAX6C

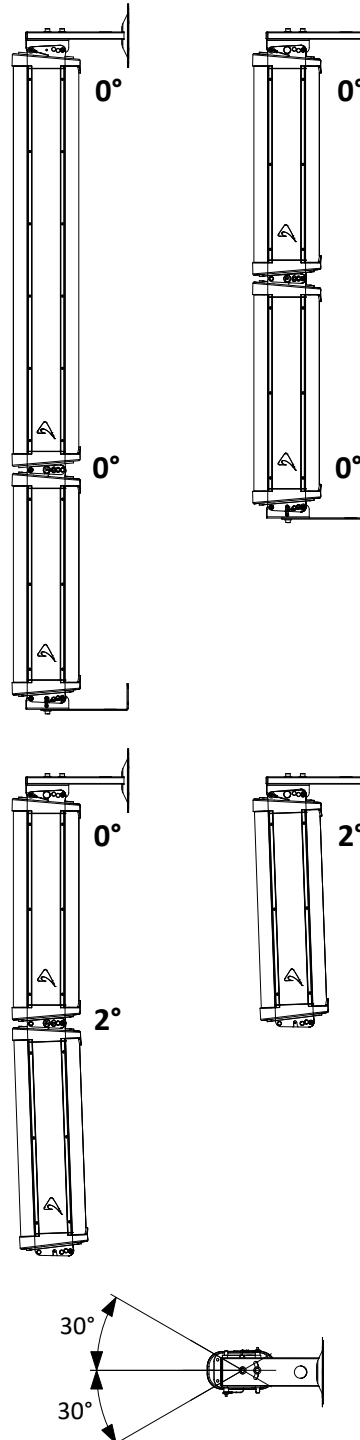
RIGGING HARDWARE AND ACCESSORIES

The AX6C columns can be floor mounted using the KPTFAX12C floor stand in various configurations: one AX6C column on top of an AX12C, or two AX6C columns using DHSS10M20 or KP210S extenders with a KPTPOLEAX12C pole adapter.



RIGGING HARDWARE AND ACCESSORIES

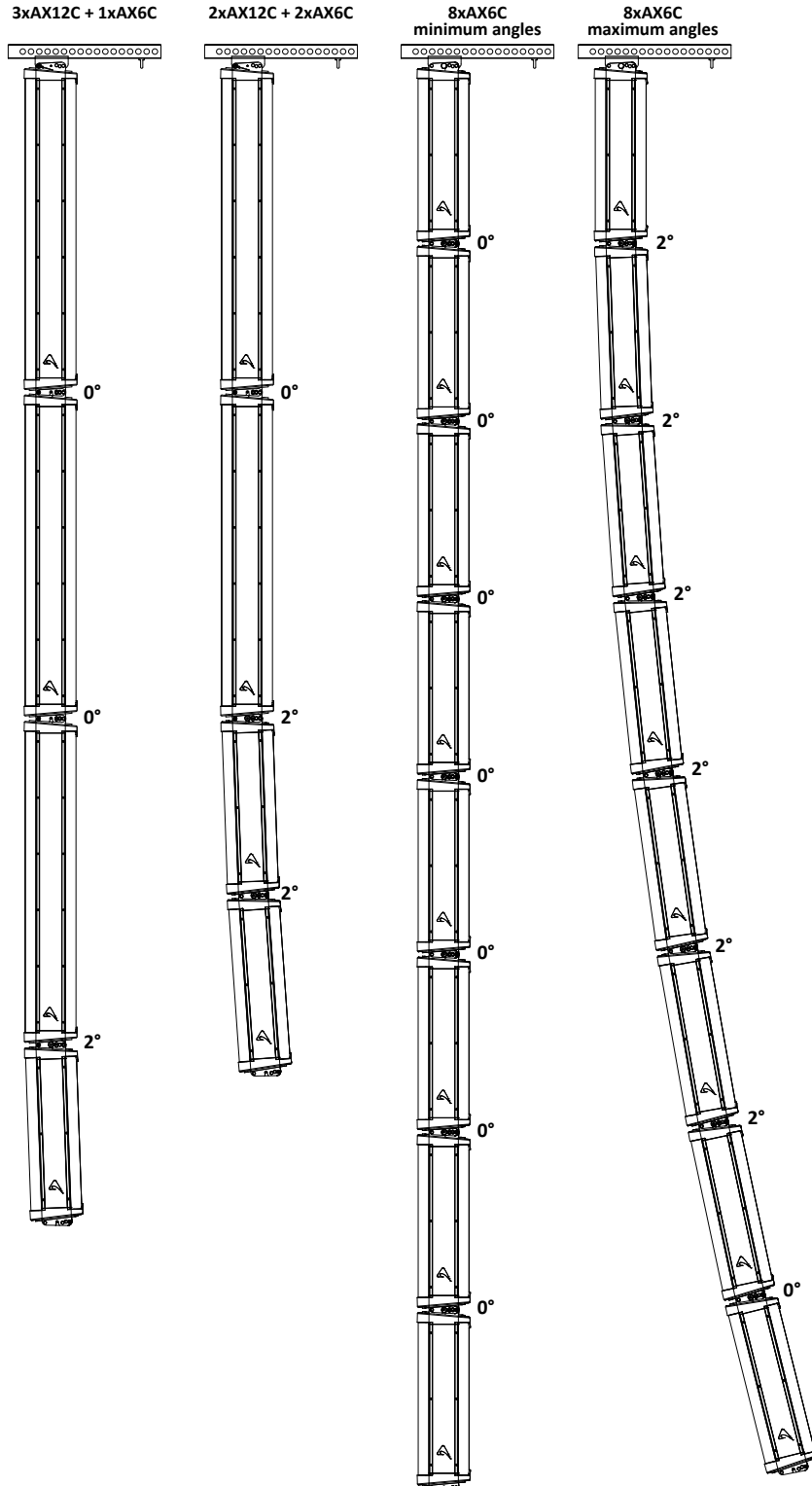
The AX6C is easily adapted for wall mounting either on its own or in a combination with AX12C columns using the separate top and bottom sections of the KPTWAX12C wall bracket. Horizontal aiming angles of up to 30° either side of central can be applied.

KPTWAX12C + AX6C AIMING OPTIONS

RIGGING HARDWARE AND ACCESSORIES

Various combinations of suspended AX12C columns are possible using the KPTAX12C flybar with inter-cabinet angles of up to 2°.

AX6C AND AX12C WITH KPTAX12C - SUSPENDING AND AIMING OPTIONS



ENGINEERING DRAWING

