

B-MIS38426



**Mounting Pattern**  
100 x 100mm



**Max Load**  
60lb  
(27.2kg)

# 1x2 Bolt Down Desktop Mount

FOR 43" & 49" SAMSUNG SUPER ULTRA-WIDE CURVED MONITORS

Peerless-AV's 1x2 Bolt Down Desktop Mount offers a secure, functional and convenient mounting solution for for the 43" and 49" Samsung Super Ultra-Wide Curved Monitors, ideal for desk traders, control rooms and gaming applications. The unique design allows (2) 43" or (2) 49" Samsung monitors to be stacked in a 1x2 layout, with up to 360° swivel, to maximize functionality and the ability to view multiple sources simultaneously. A convenient quick release function allows the user to service each monitor individually, which minimizes work flow disruptions. Completing this swivel mount is an internal cable management system and decorative base that delivers a stylish and clutter free installation.

- Dedicated to work with Samsung Super Ultra-Wide Curved Monitors (CJ890 Series)

43": LC43J890DKNXZA

49": C49J890DKN

LC49HG90DMNXZA

C49HG90DMN

- Internal cable management allows cables to be routed through the mount and into the mounting surface for a clean and clutter free installation
- Base bolts down for safety and security
- Security screws included to deter tampering and theft
- Decorative base is aesthetically pleasing and hides desktop mounting hardware
- Up to 360° swivel



#### QUICK DISCONNECT DESIGN

Pull pin design allows the user to service each monitor individually, which minimizes workflow disruptions



Freestanding Desktop Stand Available  
(FS-MIS38426)



**RoHS**

Please visit [peerless-av.com/en-us/patents](http://peerless-av.com/en-us/patents) for patent information.

✉ [info@peerless-av.com](mailto:info@peerless-av.com)

🌐 [peerless-av.com](http://peerless-av.com)

**peerless-AV**<sup>®</sup>  
Driving Technology Through Innovation

B-MIS38426 1x2 Bolt Down Desktop Mount for 43" & 49" Samsung Super Ultra-Wide Curved Monitors

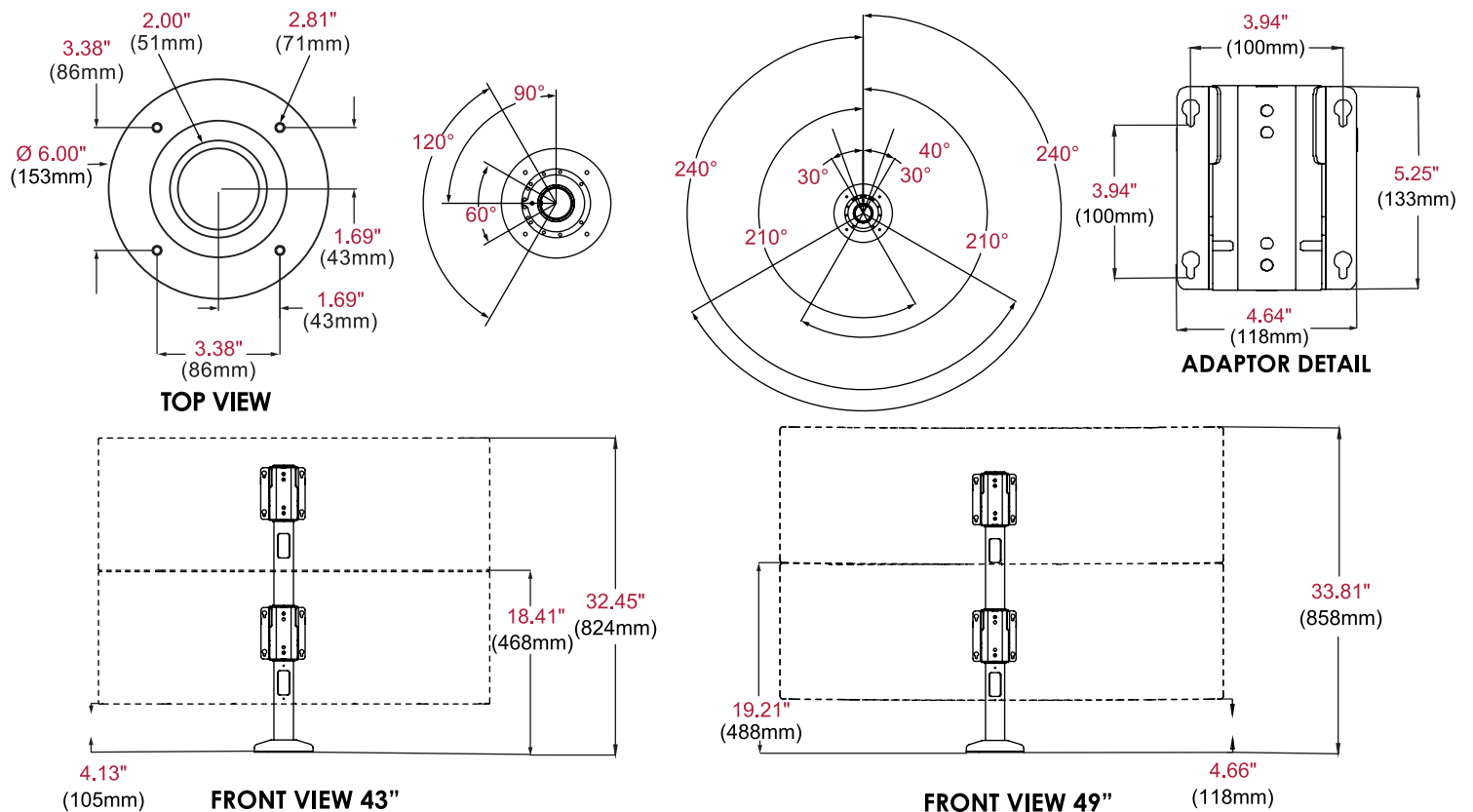
**Product Specifications**

	DIMENSIONS (W x H x D)	PRODUCT WEIGHT	LOAD CAPACITY	FINISH	AVAILABLE COLORS
B-MIS38426	6.00" x 29.50" x 6.00" (153 x 750 x 153mm)	13lb (6kg)	60lb (27.2kg)	Scratch Resistant Fused Epoxy	Matte Black

**Package Specifications**

	PACKAGE SIZE (W x H x D)	PACKAGE SHIP WEIGHT	PACKAGE UPC CODE	PACKAGE CONTENTS	UNITS IN PACKAGE
B-MIS38426	31.50" x 10.00" x 3.50" (800 x 254 x 89mm)	15lb (7kg)	735029334309	Base, Pole, (2) Adaptor Brackets and Mounting Hardware	1

All dimensions = inch (mm)



**Architect Specifications**

The 1x2 Bolt Down Desktop Mount shall be a Peerless-AV model B-MIS38426 and shall be located where indicated on the plans. Assembly and installation shall be done according to instructions provided by the manufacturer.

Visit [peerless-av.com](http://peerless-av.com) to see the complete line of AV solutions from Peerless-AV, including outdoor displays, wireless, kiosks, digital audio, display mounts, projector mounts, carts/stands, and a full assortment of accessories.

**Peerless-AV**  
2300 White Oak Circle  
Aurora, IL 60502 USA  
**(800) 865-2112**  
**(630) 375-5100**  
**Fax: (800) 359-6500**

**Peerless-AV EMEA**  
Unit 3 Watford Interchange  
Colonial Way, Watford  
Herts, WD24 4WP  
United Kingdom  
**+44 (0) 1923 200100**  
**Fax: +44 (0) 1923 200101**

**Peerless-AV Latin America**  
Av. de las Industrias 413  
Parque Industrial Escobedo  
General Escobedo, N.L.,  
México, 66062  
**+52 (81) 8384-8300**  
**Fax: +52 (81) 8384-8360**

