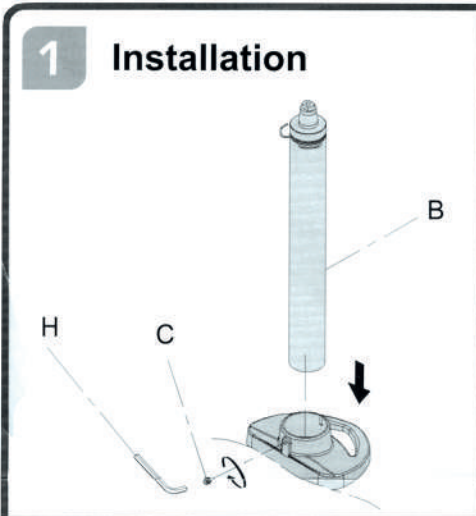
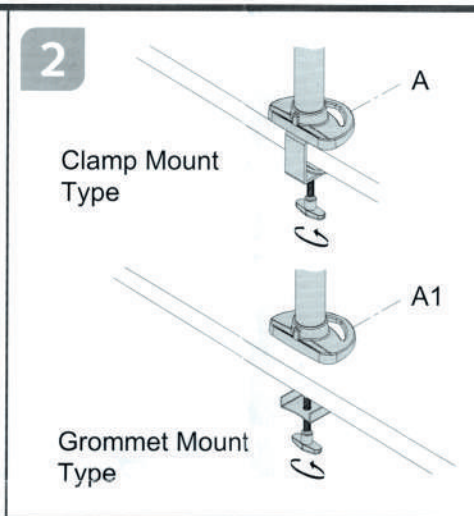


Parts	
A Clamp Mount Type x1	A1 Grommet Mount Type x1
B x1	C x1
D x1	D1 x1
D2 x1	E x1
F x1	G x1
H x4	I x1
J Option x1	

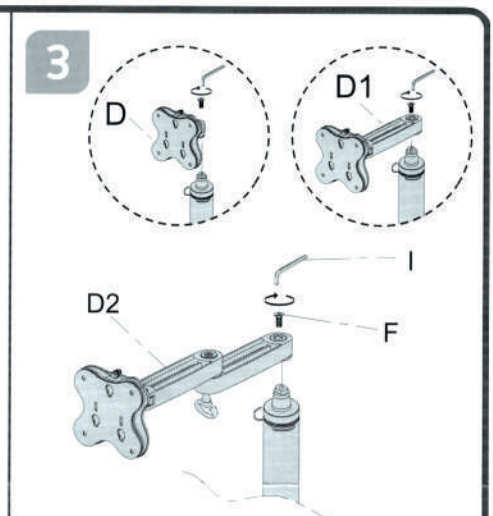
1 Installation



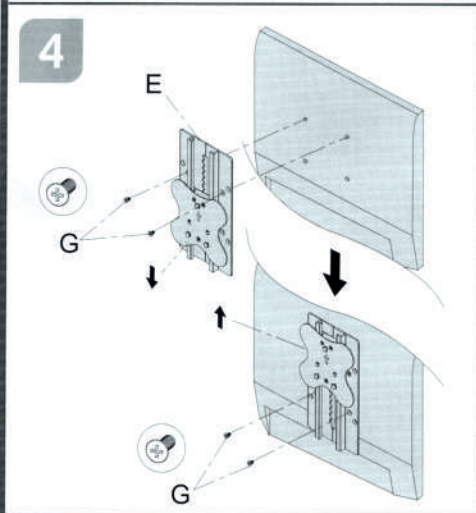
2



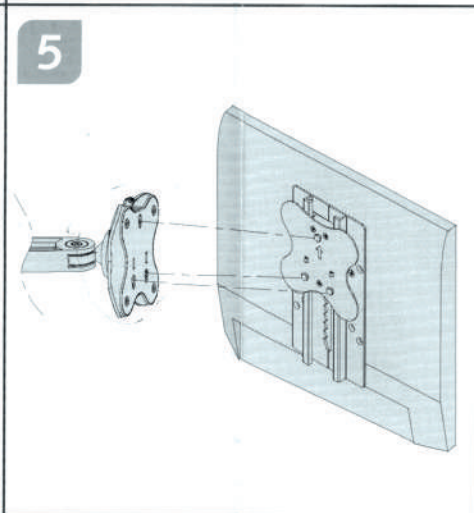
3



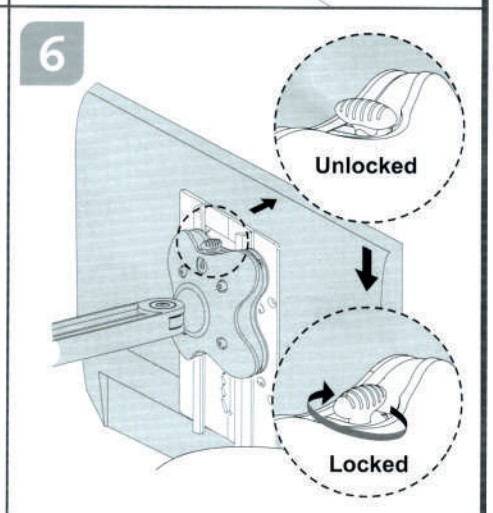
4



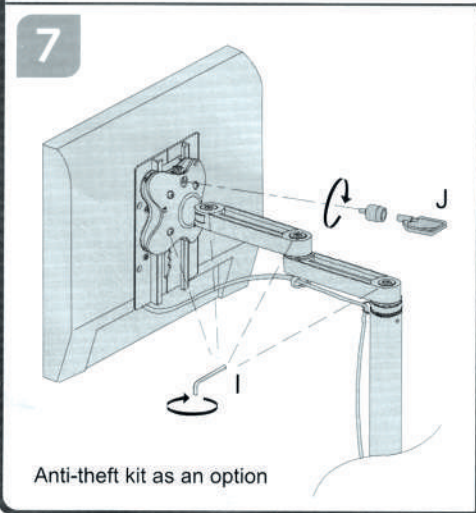
5



6

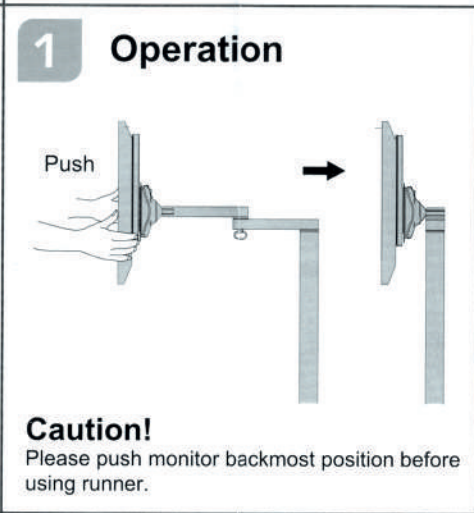


7



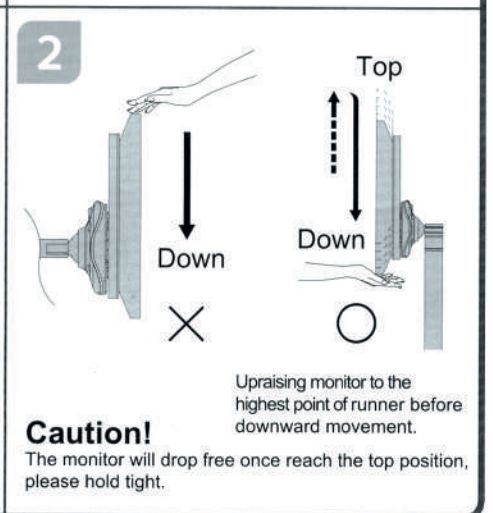
Anti-theft kit as an option

1 Operation



Caution!
Please push monitor backmost position before using runner.

2



Caution!
The monitor will drop free once reach the top position, please hold tight.