

# CDM300

## Professional Cable Reel

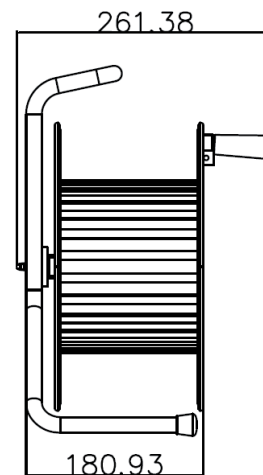
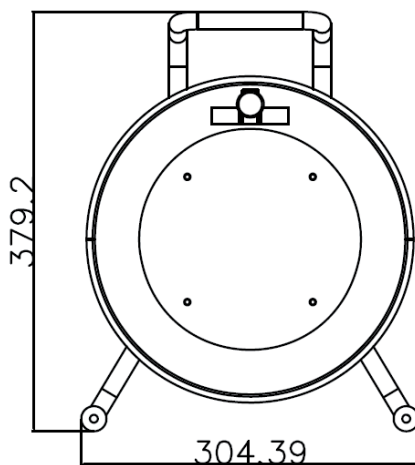
This cable reel features both a steel frame, as well as a steel front and rear plate, to ensure that its quality meets the highest demands.

For greater ease of use, the cable reel is equipped with a folding handle and a brake on the drum to prevent unwanted unwinding.

The CDM300 ships with a closed center plate. optional center plates are available. CRP-Series center plates offer from 1 up to 14 D-size plate connectors, or a single SVGA connector.



### Technical Drawing



### Mechanical Specifications

Width	304 mm
Height	379 mm
Depth	261 mm
Weight	3.4 kg
Center Plate Diameter	200 mm

### Available Accessories

Name	Description
CRP300	Blank Center Plate
CRP301	Center Plate with 1 D-size hole
CRP302	Center Plate with 2 D-size holes
CRP304	Center Plate with 4 D-size holes
CRP308	Center Plate with 8 D-size holes
CRP310	Center Plate with 10 D-size holes
CRP312	Center Plate with 12 D-size holes
CRP314	Center Plate with 14 D-size holes
CRP340	Center Plate with 4 Schuko-size holes
CRP342	Center Plate with 2 Schuko and 2 D-size holes
CRP350	Center Plate with 1 VGA-size hole

### CDM300 Capacity

Cable Ø	Length
3 mm	600 m
4 mm	340 m
5 mm	220 m
6 mm	150 m
7 mm	110 m
8 mm	85 m
9 mm	65 m
10 mm	55 m
11 mm	45 m
12 mm	38 m
13 mm	35 m
14 mm	27 m
15 mm	25 m

# CDM300

## Accessory Page



### CRP Cable Reel Center Plates

The PROCAB CDM300 cable reel ships with a closed center plate. These optional center plates offer holes for up to 12 D-size connections or multiple Schuko connectors. Every centerplate has a diameter of 200 mm.

#### CRP300

Center plate for CDM300  
Blank Plate



#### CRP301

Center plate for CDM300  
1 D-size hole



#### CRP302

Center plate for CDM300  
2 D-size holes



#### CRP304

Center plate for CDM300  
4 D-size holes



#### CRP308

Center plate for CDM300  
8 D-size holes



#### CRP310

Center plate for CDM300  
10 D-size holes



#### CRP312

Center plate for CDM300  
12 D-size holes



#### CRP314

Center plate for CDM300  
14 D-size holes



#### CRP340

Center plate for CDM300  
4 Schuko-size holes



#### CRP342

Center plate for CDM300  
2 Schuko-size holes &  
2 D-size holes



#### CRP350

Center plate for CDM300  
1 VGA-size hole



### CRP Cable Reel Spare Parts

The cable reel is designed to be durable under all circumstances. Some parts may wear out after extensive use, that is why we offer replacement parts for items such as the brake and the folding handle.

#### Brake

Plastic brake  
Part No: PR3470001



#### Folding Handle

Non latching folding handle  
Part No: PR3410001



#### To Be Expected

Metal brake  
Part No: PR3470002