



As people share videos on the Internet more and more frequently, a transceiver that can support H.265 / H.264 will be helpful. The HDMI over H.264/H.265 transceiver can encode any standard 4K UHD source from HDMI to high image quality streaming and decode any standard streaming to HDMI output which can supports resolution up to 4K@60. The flexibility settings of bitrate range from 1000 to 20000 kbps provides user to adjust video quality easily. This transceiver supports unicast and multi-cast via Cat cable within single transmitter to single receiver or single transmitter to multiple receivers. The unit integrates all dominant security protocol such as HTTPS, SSH and 802.1X. This transceiver can be powered by Ethernet switches supporting the IEEE 802.3af-2003 PoE standard. Transceiver provides Videowall, Multi-view, OSD, CEC over IP, IR over IP, RS232 over IP and Audio over IP function, all functions can be controlled via design WebUI or user-friendly control system.

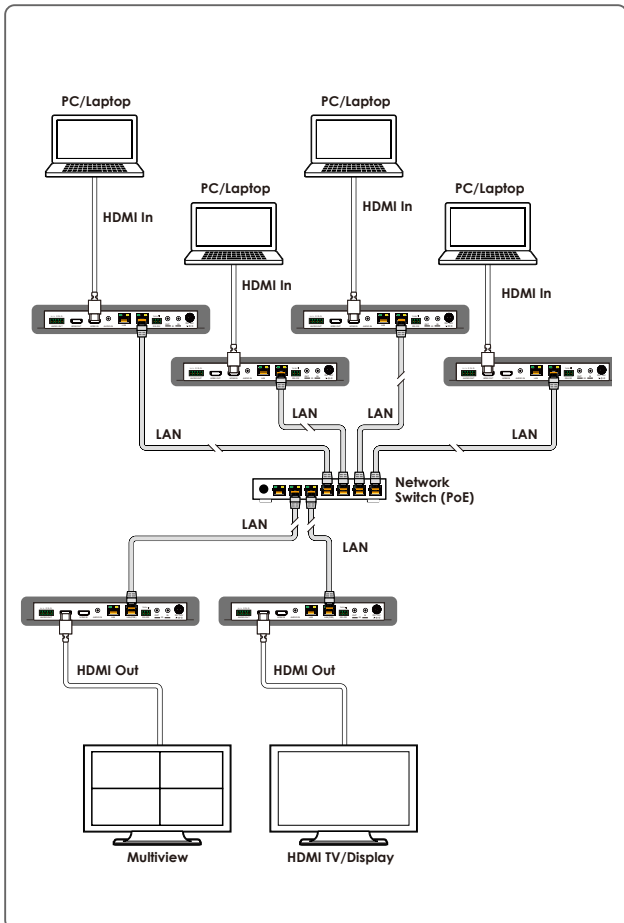
PANELS



Front View

Rear View

DIAGRAM



FEATURES

- Supports transport protocol RTSP, RTP, MPEG-TS, RTMP, HLS and FLV.
- Low latency 160~250 ms. (1080P@60 160~180ms. 4K@30 200~250 ms.)
- Supports CEC, RS-232 and IR over IP
- Supports independent Recording.
- Recorded video can be stored on the locally USB storage or to a designated network drive supporting file system FAT32, EXFAT, NFS, and CIFS.
- Supports security HTTPS, SSH, 802.1X, Active Directory.
- Provide OSD include text, time and JPEG image upload
- Video wall and Multi-view support.
- Supports the IEEE 802.3af-2003 PoE standard (PD).
- Provides mode selection to switch between transmitter and receiver.
- Control system supports up to 256 TXs and RXs.

SPECIFICATIONS

Interfaces

Input Port	1 HDMI (Type-A) 1 Analog Audio (3.5mm)
Output Port	1 HDMI (Type-A) 1 Balance Audio (5 pin Terminal block)
Bi-directional Port	2 GbE LAN (RJ-45)
Control I/O	1 IR Extender (3.5mm) 1 IR Blaster (3.5mm) 1 RS-232 (3 pin Terminal block)

Video

HDMI Compliance	HDMI 2.0 (DVI 1.0)
HDCP Compliance	2.2
Input Signal Type	4K@60 YUV 4:4:4
Output Signal Type	4K@60 YUV 4:4:4

Resolutions

Maximum Input	HDMI	4096×2160p@60 YUV 4:4:4
	LAN (Streaming)	3840×2160p@60
Maximum Output	LAN (Streaming)	3840×2160p@30
	HDMI	3840×2160p@60 YUV 4:4:4

Audio

HDMI	LPCM (2 Channels)
Line In	2 Vrms S/N Ratio: > 80dB (1kHz with 0dBFS)
Line Out	4 Vrms S/N Ratio: > 80dB (1kHz with 0dBFS)

Power

Power Supply	12V/3A DC
Power Consumption	12.1W

Enclosure

Chassis Material	Metal (Steel)
Chassis Color	Black
Dimensions (W×H×D)	231mm×116mm×25mm [Case Only] 232mm×117mm×25mm [All Inclusive]
Weight	661g

Field Firmware Update

WebGUI, USB Flash Drive

ORDERING INFORMATION

Model No.	Product Description
CDPS-P314EDC	HDMI over H.264/H.265 Transceiver
CDPS-CS7-S	AV over IP Master Controller
ADP-056SWEG210C	Power Supplier(12V, 3A)