

CH-V501TR

HDMI over IP Transceiver (Copper Version)



This Transceiver is designed for high-quality, IP routable, AV extension with zero latency. Each single Transceiver can be configured as either a Transmitter or a Receiver depends the requirement of installation facility. The 4K@60 high quality video with HDR 10 bits and multi-channel HD Bitstream audio are able to transmit in pass through mode over Cat.6A up to 100m extension.

PANELS



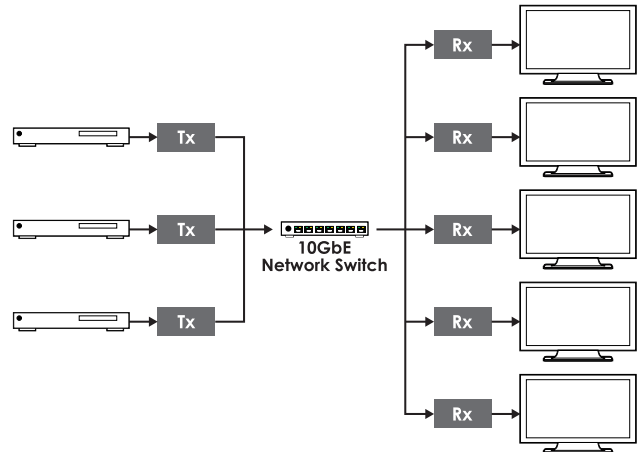
FEATURES

- Visually lossless compression with zero latency
- Signal transmission interfaces with 10-Gigabit Ethernet switches via a single Cat.6A cable
- Video wall and multi viewer supported (requires optional control center/software)
- Independent breakaway A/V matrix switching (requires optional control center/software)
- Pass-through of 10/12-bit HDR sources (Point-to-point and Genlock modes only)
- Pass-through of audio formats including LPCM (up to 8 channels), Bitstream and HD Bitstream from HDMI sources
- Analog stereo audio extension, insertion and extraction (insertion and extraction requires optional control center/software)
- Unit can be powered directly by PoE (802.3at) when connected to a 10-Gigabit Ethernet
- Supports the use of an external control center or control software to provide expanded functionality (Contact your authorized dealer for more information)
- 1 HDMI output (Functions as local monitor output in Transmitter Mode)
- 1 analog stereo jack (Functions as an input in Transmitter Mode or an output in Receiver Mode)

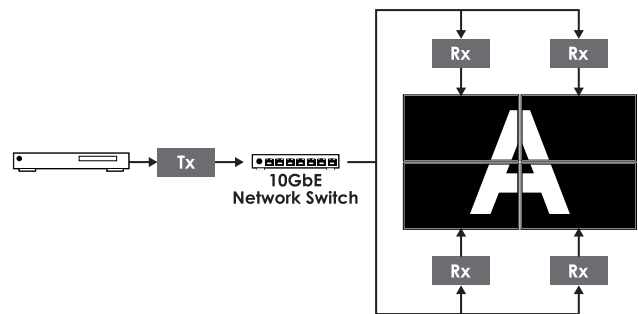
POINT-TO-POINT CONFIGURATION



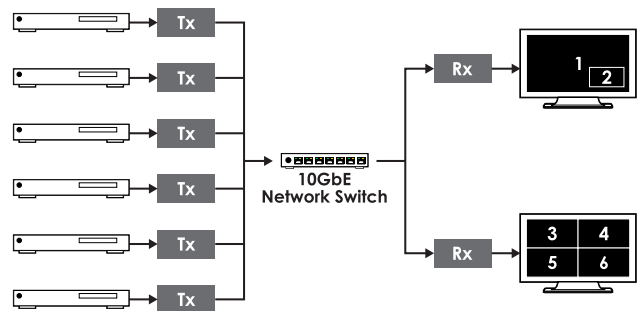
MATRIX CONFIGURATION



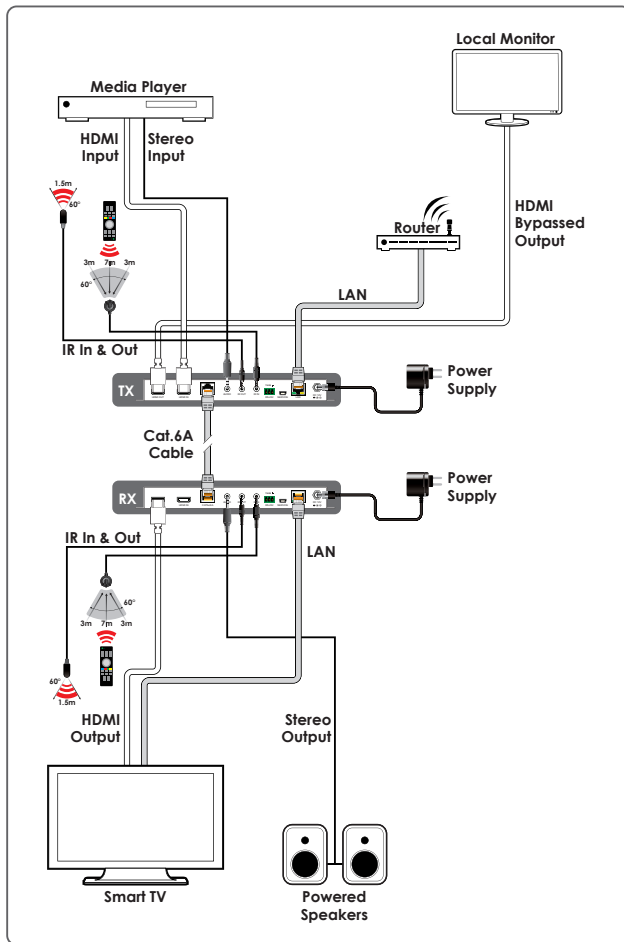
VIDEO WALL CONFIGURATION



MULTIVIEW CONFIGURATION



DIAGRAM



SPECIFICATIONS

Interfaces		
Input Port	1 HDMI (Type-A)	
Output Port	1 HDMI (Type-A)	
Bi-directional Port	1 10GbE LAN (RJ-45)	
Control I/O	1 IR Extender (3.5mm) 1 IR Blaster (3.5mm) 1 RS-232 (3-pin Terminal Block) 1 Ethernet (RJ-45)	
Audio	1 Unbalanced Stereo (3.5mm) Transmitter: Audio In or Out (depends configuration) Receiver: Audio Out	
Service Port	1 USB (Mini-B)	
Video		
HDMI Compliance	2.0 (DVI 1.0)	
HDCP Compliance	2.2	
Input Signal Types	4K@60, HDR10	
Output Signal Types	4K@60, HDR10	
Resolutions		
Maximum Input	HDMI	4096×2160p@60 2560×1600p@60RB
	Ethernet	4096×2160p@60 2560×1600p@60RB
Maximum Output	HDMI	4096×2160p@60 2560×1600p@60RB
	Ethernet	4096×2160p@60 2560×1600p@60RB
Audio		
Digital Formats	HDMI	8CH LPCM, Bitstream, HD Bitstream
Analog Formats		Unbalanced 2 Channel
Line Level		Frequency Response: $\pm 0.5\text{dB}$ (20Hz to 20kHz) THD: <math>< 0.02\%</math> (20Hz to 20kHz) S/N Ratio: > 80dB (1kHz with 0dBFS) Crosstalk: <math>< -80\text{dB}</math> (10kHz, $V_{in}=0\text{dBFS}</math>)$
Power		
Power Supply		12V/3A (Locking)
Power Consumption		30W (Full load)
Enclosure		
Chassis Material		Metal
Chassis Color		Black
Dimensions (W×H×D)		231.5mm×25mm×108mm [Case Only] 231.5mm×25mm×116.7mm [All Inclusive]
Weight		552g
ORDERING INFORMATION		
Model No.	Product Description	
CH-V501TR	HDMI over IP Transceiver (Copper Version)	
CDPS-CS7-S	AV over IP Master Controller	