



CHDBT-1H1CPLV

4K UHD+ 1 by 2 HDMI to HDBaseT and HDMI Splitter



Operation Manual

DISCLAIMERS

The information in this manual has been carefully checked and is believed to be accurate. Cypress Technology assumes no responsibility for any infringements of patents or other rights of third parties which may result from its use.

Cypress Technology assumes no responsibility for any inaccuracies that may be contained in this document. Cypress also makes no commitment to update or to keep current the information contained in this document.

Cypress Technology reserves the right to make improvements to this document and/or product at any time and without notice.

COPYRIGHT NOTICE

No part of this document may be reproduced, transmitted, transcribed, stored in a retrieval system, or any of its part translated into any language or computer file, in any form or by any means—electronic, mechanical, magnetic, optical, chemical, manual, or otherwise—without express written permission and consent from Cypress Technology.

© Copyright 2018 by Cypress Technology.

All Rights Reserved.

TRADEMARK ACKNOWLEDGMENTS

All products or service names mentioned in this document are trademarks of the companies with which they are associated.





SAFETY PRECAUTIONS

Please read all instructions before attempting to unpack, install or operate this equipment and before connecting the power supply. Please keep the following in mind as you unpack and install this equipment:

- Always follow basic safety precautions to reduce the risk of fire, electrical shock and injury to persons.
- To prevent fire or shock hazard, do not expose the unit to rain, moisture or install this product near water.
- Never spill liquid of any kind on or into this product.
- Never push an object of any kind into this product through any openings or empty slots in the unit, as you may damage parts inside the unit.
- Do not attach the power supply cabling to building surfaces.
- Use only the supplied power supply unit (PSU). Do not use the PSU if it is damaged.
- Do not allow anything to rest on the power cabling or allow any weight to be placed upon it or any person walk on it.
- To protect the unit from overheating, do not block any vents or openings in the unit housing that provide ventilation and allow for sufficient space for air to circulate around the unit.
- Please completely disconnect the power when the unit is not in use to avoid wasting electricity.

VERSION HISTORY

REV.	DATE	SUMMARY OF CHANGE
VS1	2019/01/25	Final technical review



CONTENTS

1. Introduction	1
2. Applications	1
3. Package Contents	1
4. System Requirements	2
5. Features	2
6. Operation Controls and Functions	4
6.1 Front Panel.....	4
6.2 Rear Panel.....	5
6.3 IR Cable Pinouts	6
6.4 Serial Pinout and Defaults	6
6.5 RS-232 Commands.....	7
6.5.1 System Commands.....	7
6.5.2 Input Commands.....	8
6.5.3 Output Commands	9
6.5.4 User EDID Commands	10
7. Connection Diagram	11
8. Specifications	12
8.1 Technical Specifications	12
8.2 Video Specifications	13
8.3 Audio Specifications.....	14
8.4 Cable Specifications	15
8.5 HDBaseT Features.....	16
9. Acronyms	17





1. INTRODUCTION

This 1 by 2 HDMI to HDMI and HDBaseT splitter can take a single 4K source and simultaneously deliver it to a local HDMI display as well as to a second HDMI display up to 40m away via HDBaseT. This unit complies with the advanced HDCP 2.2 and HDMI 2.0 standards, as well as supporting the legacy HDCP 1.x and HDMI 1.x standards. The HDMI input and output supports uncompressed 4K UHD HDMI sources, up to and including 4K@60Hz (4:4:4, 8-bit) as well as 10/12-bit sources with HDR while the HDBaseT output, despite its 10.2Gbps bandwidth limitation, is able to process and extend the same high bandwidth sources by the use of AVLC (Adaptive Visually Lossless Compression) when connected to a compatible AVLC Receiver.

Built-in EDID management functionality enables the unit to fit into every situation. The HDBaseT output of this unit can also provide 48V PoH (Power over HDBaseT) to a compatible Receiver, allowing for greater flexibility within different installation scenarios. The unit can be controlled via a front panel button and RS-232.

2. APPLICATIONS

- Household entertainment sharing and control
- Lecture room display and control
- Showroom display and control
- Meeting room presentation and control
- Classroom display and control

3. PACKAGE CONTENTS

- 1×1 by 2 HDMI to HDBaseT and HDMI Splitter
- 1×24V/2.7A DC Power Adapter
- 1×3.5mm to IR Blaster Cable
- 1×Shockproof Feet (Set of 4)
- 1×Operation Manual

4. SYSTEM REQUIREMENTS

- HDMI source equipment such as a media player, video game console or set-top box.
- A compatible HDBaseT Receiver with AVLC and 48V PoH support is recommended.
- HDMI receiving equipment such as an HDTV, monitor or audio amplifier.
- The use of “Premium High Speed” HDMI cables, and industry standard Cat.6, Cat.6a or Cat.7, is highly recommended.

5. FEATURES

- HDMI 2.0 and HDBaseT 1.0 compatible
- HDCP 1.x and HDCP 2.2 compliant
- 1 HDMI input
- 1 HDMI and 1 HDBaseT output
- Supports up to 4K UHD (18Gbps, 4K@50/60Hz 4:4:4, 8-bit) video input and output

Note: Support of resolutions requiring bandwidth above 10.2Gbps via HDBaseT requires a compatible AVLC Receiver.

- Supports Deep Color input and output up to 12-bit
- Supports 10-bit and 12-bit HDR (High Dynamic Range) input/output
- Supports CEC bypass
- HDBaseT feature support: HD Video and Audio, 48V PoH (PSE) and Control (bi-directional IR/RS-232 pass-through)
- HDBaseT output transmits video, audio and data over a single Cat.5e/6/7 cable and can reach distances up to 40m/131ft at 4K when using Cat.6a/7
- Integrated AVLC (Adaptive Visually Lossless Compression) activates when the bandwidth requirements of the source are beyond 10.2Gbps (340MHz) allowing for support of sources up to 18Gbps (600MHz) with no loss of visual quality
- Automatic 4K to 1080p down-scaling or color space conversion (4:4:4 to 4:2:0), as necessary, based on each connected display's EDID



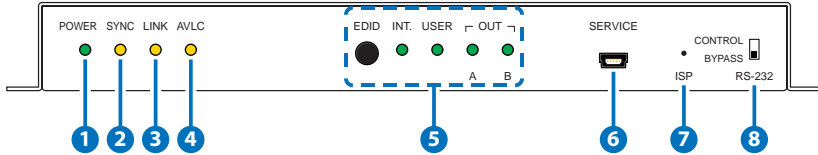
- Supports pass-through of many audio formats including LPCM 2.0/5.1/7.1, Bitstream, and HD Bitstream
- EDID management allows selection of an internal EDID, user EDID, or EDID copied from a connected display
- Supports standard 48V PoH from the unit to a connected HDBaseT Receiver (compatible Receivers only)

Note: The 48V PoH function is designed for powering compatible Receiver units only. Non-PoH Receivers will need their own power supply. Receivers from other brands may not be compatible.

- Controllable via a front panel button and RS-232

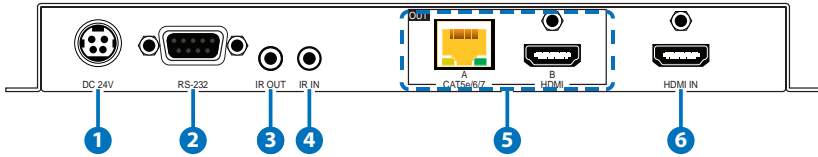
6. OPERATION CONTROLS AND FUNCTIONS

6.1 Front Panel



- 1 POWER LED:** This LED will illuminate to indicate the unit is on and receiving power.
- 2 SYNC LED:** This LED will illuminate when a live input source is detected.
- 3 LINK LED:** This LED will illuminate solidly when a live connection with a compatible Receiver is active.
- 4 AVL C LED:** This LED will illuminate whenever the AVL C function is active.
- 5 EDID Button & LEDs:** Press this button to sequentially switch through the available EDID sources. The LED will illuminate to indicate which EDID source is currently selected.
- 6 SERVICE Port:** This port is reserved for firmware update use only.
- 7 ISP Pinhole:** This button is reserved for factory use only.
- 8 RS-232 CONTROL/BYPASS Switch:** This switch controls the operational mode of the RS-232 port.
 - A CONTROL:** When set to "Control" the RS-232 port may be used to send commands directly to the unit.
 - B BYPASS:** When set to "Bypass", RS-232 signals will be passed to the connected Receiver.

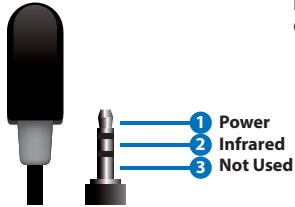
6.2 Rear Panel



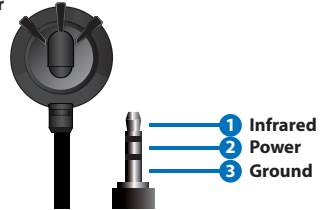
- 1 DC24V Port:** Plug the 24V DC power adapter into this port and connect it to an AC wall outlet for power.
- 2 RS-232 Port:** Connect to a PC, laptop, or serial controllable device for the extension of RS-232 signals between both ends of the HDBaseT connection or to control this unit directly.
Note: The behavior of the RS-232 port is controlled by the front panel CONTROL/BYPASS switch.
- 3 IR OUT Port:** Connect to the provided IR Blaster to transmit IR signals from the other end of the HDBaseT connection to devices within direct line-of-sight of the IR Blaster.
- 4 IR IN Port:** Connect to an IR Extender to receive IR control signals and extend them to devices connected to the other end of the HDBaseT connection. Ensure that the remote being used is within direct line-of-sight of the IR Extender.
- 5 OUT A (CAT5e/6/7) Port:** Connect to a compatible HDBaseT Receiver with a single Cat.5e/6/7 cable for transmission of all data signals. 48V PoH will also be supplied to a connected compatible PD Receiver.
OUT B (HDMI) Port: Connect to an HDMI TV, monitor, or amplifier for digital video and audio output.
- 6 HDMI IN Port:** Connect to HDMI source equipment such as a media player, game console, or set-top box.

6.3 IR Cable Pinouts

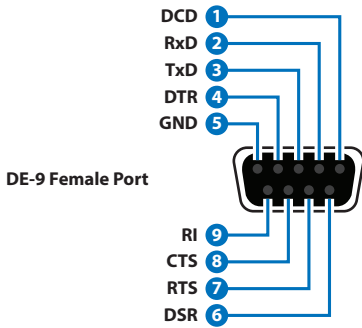
IR Blaster Cable



IR Extender Cable



6.4 Serial Pinout and Defaults



Serial Port Default Settings	
Baud Rate	19200
Data Bits	8
Parity Bits	None
Stop Bits	1
Flow Control	None



6.5 RS-232 Commands

6.5.1 System Commands

COMMAND
Description and Parameters
help ↵
Show the full command list.
help N1 ↵
Show help details about command N1 . N1 = {Command name}
get model name ↵
Show the unit's model name.
get fw ver ↵
Show the unit's current firmware version.
set system reboot ↵
Reboot the unit.
set description N1 ↵
Set the description/name of the unit. N1 = {Name} [64 characters max]
get description ↵
Show the unit's current description/name.
set keylock N1 ↵
Enable or disable the front panel key lock. Available values for N1 : ON [Lock front panel] OFF [Unlock front panel]
get keylock ↵
Show the current front panel key lock status.
set factory default ↵
Reset all configuration to the factory defaults.

6.5.2 Input Commands

COMMAND	
Description and Parameters	
get in port number ↵	Report the number of inputs supported by the unit.
get in type list ↵	List the interface type supported by each input.
set in 1 hdcp mode N1 ↵	Set the input's HDCP mode. Available values for N1 : 0 [Apple mode] 1 [Refer to source] 2 [Refer to sink]
get in 1 hdcp mode ↵	Show the input's current HDCP mode.
set in 1 edid N1 ↵	Set the EDID for the input to use. Available values for N1 : 1 [Internal EDID FHD/8bit/LPCM 2CH] 2 [User EDID 1] 3 [Copy output A's EDID] 4 [Copy output B's EDID]
get in 1 edid ↵	Show the EDID currently being used by the input.
get in 1 edid data ↵	Show the current contents of the input's EDID as ASCII hex data.
get in 1 edid information ↵	Show English readable details from the EDID assigned to the input.

6.5.3 Output Commands

COMMAND
Description and Parameters
<p>get out port number↵</p> <p>Report the number of outputs supported by the unit.</p>
<p>get out type list↵</p> <p>List the interface supported by each output.</p>
<p>set out N1 convert N2↵</p> <p>Set the 4K source conversion mode to use on output N1.</p> <p>Available values for N1:</p> <p>A [Output A] B [Output B]</p> <p>Available values for N2:</p> <p>0 [Bypass] 1 [Convert color space to YUV 4:2:0] 2 [Convert resolution to 1080p] 3 [Automatic conversion based on sink's EDID]</p>
<p>get out N1 convert↵</p> <p>Show the current conversion mode used by output N1.</p> <p>Available values for N1:</p> <p>A [Output A] B [Output B]</p>
<p>get out N1 edid data↵</p> <p>Show the current contents of output N1's EDID as ASCII hex data.</p> <p>Available values for N1:</p> <p>A [Output A] B [Output B]</p>

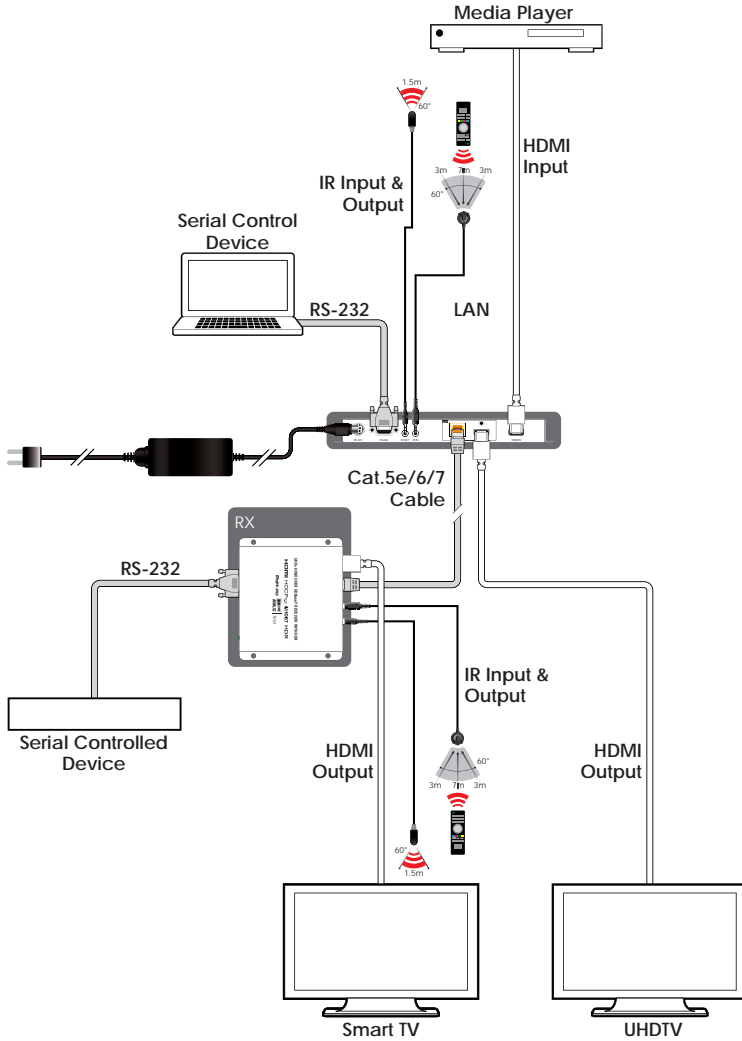
COMMAND	
Description and Parameters	
get out N1 edid information↵	
	Show English readable details from the EDID provided by the specified output.
	Available values for N1 :
A	[Output A]
B	[Output B]

6.5.4 User EDID Commands

COMMAND	
Description and Parameters	
get user edid number↵	
	Show the number of User EDIDs supported by the unit.
set user 1 edid data N1↵	
	Upload a new EDID (in ASCII hex format) for use as the User EDID.
N1 = {Comma delimited hex pairs}	[EDID data]
get user 1 edid data↵	
	Show the EDID used by the User EDID as ASCII hex data.
get user 1 edid information↵	
	Show English readable details from the User EDID.

Note: Commands will not be executed unless followed by a carriage return. Commands are not case-sensitive.

7. CONNECTION DIAGRAM



8. SPECIFICATIONS

8.1 Technical Specifications

HDMI Bandwidth	600MHz/18Gbps
HDBaseT Bandwidth	340MHz/10.2Gbps
Input Ports	1×HDMI
Output Ports	1×HDMI 1×HDBaseT (RJ-45)
Pass-through Ports	1×IR Extender (3.5mm) 1×IR Blaster (3.5mm)
Control/Pass-through Port	1×RS-232 (DE-9)
Service Port	1×USB (Mini-B)
IR Frequency	30 – 50kHz (30 – 60kHz under ideal conditions)
Baud Rate	Up to 115200
Power Supply	24V/2.7A DC (US/EU standards, CE/FCC/UL certified)
ESD Protection (HBM)	±8kV (Air Discharge) ±4kV (Contact Discharge)
Dimensions (W×H×D)	231.5mm×25mm×108mm [Case Only] 231.5mm×25mm×115mm [All Inclusive]
Weight	656g
Chassis Material	Metal (Steel)
Chassis Color	Black
Operating Temperature	0°C – 40°C/32°F – 104°F
Storage Temperature	-20°C – 60°C/-4°F – 140°F
Relative Humidity	20 – 90% RH (Non-condensing)
Power Consumption	20.8W



8.2 Video Specifications

Supported Resolutions (Hz)	Input	Output	
	HDMI	HDMI	HDBaseT
720×400p@70/85	✓	✓	✓
640×480p@60/72/75/85	✓	✓	✓
720×480i@60	✓	✓	✓
720×480p@60	✓	✓	✓
720×576i@50	✓	✓	✓
720×576p@50	✓	✓	✓
800×600p@56/60/72/75/85	✓	✓	✓
848×480p@60	✓	✓	✓
1024×768p@60/70/75/85	✓	✓	✓
1152×864p@75	✓	✓	✓
1280×720p@50/60	✓	✓	✓
1280×768p@60RB/60/75/85	✓	✓	✓
1280×800p@60RB/60/75/85	✓	✓	✓
1280×960p@60/85	✓	✓	✓
1280×1024p@60/75/85	✓	✓	✓
1360×768p@60	✓	✓	✓
1366×768p@60RB/60	✓	✓	✓
1400×1050p@60RB/60	✓	✓	✓
1440×900p@60RB/60/75	✓	✓	✓
1600×900p@60RB	✓	✓	✓
1600×1200p@60	✓	✓	✓
1680×1050p@60RB/60	✓	✓	✓
1920×1080i@50/60	✓	✓	✓
1920×1080p@24/25/30	✓	✓	✓
1920×1080p@50/60	✓	✓	✓

Supported Resolutions (Hz)	Input	Output	
	HDMI	HDMI	HDBaseT
1920×1200p@60RB	✓	✓	✓
2560×1440p@60RB	✓	✓	✓
2560×1600p@60RB	✓	✓	✓
2048×1080p@24/25/30	✓	✓	✓
2048×1080p@50/60	✓	✓	✓
3840×2160p@24/25/30	✓	✓	✓
3840×2160p@50/60 (4:2:0)	✓	✓	✓
3840×2160p@24/25/30, HDR10	✓	✓	AVLC
3840×2160p@50/60 (4:2:0), HDR10	✓	✓	AVLC
3840×2160p@50/60	✓	✓	AVLC
4096×2160p@24/25/30	✓	✓	✓
4096×2160p@50/60 (4:2:0)	✓	✓	✓
4096×2160p@24/25/30, HDR10	✓	✓	×
4096×2160p@50/60 (4:2:0), HDR10	✓	✓	×
4096×2160p@50/60	✓	✓	×

8.3 Audio Specifications

HDMI Input/Output	
LPCM	
Max Channels	8 Channels
Sampling Rate (kHz)	32, 44.1, 48, 88.2, 96, 176.4, 192
Bitstream	
Supported Formats	Standard & High-Definition

8.4 Cable Specifications

Cable Length	1080p		4K30	4K60
	8-bit	12-bit	(4:4:4) 8-bit	(4:4:4) 8-bit
High Speed HDMI Cable				
HDMI Input	15m	10m	5m	3m
HDMI Output	15m	10m	5m	3m
Ethernet Cable				
Cat.5e/6	60m		35m	
Cat.6a/7	70m		40m	

- **1080p (FHD Video)**
 - Up to 1080p@60Hz, 12-bit color
 - Data rates lower than 5.3Gbps or below 225MHz TMDS clock
- **4K30 (UHD Video)**
 - 4K@24/25/30Hz & 4K@50/60Hz (4:2:0), 8-bit color
 - 4K@50/60Hz (4:4:4, 8-bit) with AVLC active
 - Data rates higher than 5.3Gbps or above 225MHz TMDS clock but below 10.2Gbps
- **4K60 (UHD+ Video)**
 - 4K@50/60Hz (4:4:4, 8-bit), AVLC required over HDBaseT
 - 4K@50/60Hz (4:2:0, 10-bit HDR), AVLC required over HDBaseT
 - Data rates higher than 10.2Gbps

8.5 HDBaseT Features

HDBaseT Feature Set	Transmitter
Video & Audio	Supported
LAN Pass-through	Unsupported
Send power to Receiver	Supported
Accept power from Receiver	Unsupported
IR Pass-through	Supported
RS-232 Pass-through	Supported

9. ACRONYMS

ACRONYM	COMPLETE TERM
ASCII	American Standard Code for Information
AV	Audio/Video
AVLC	Adaptive Visually Lossless Compression
AVR	Audio/Video Receiver or Recorder
Cat.5e	Enhanced Category 5 cable
Cat.6	Category 6 cable
Cat.6a	Augmented Category 6 cable
Cat.7	Category 7 cable
CEC	Consumer Electronics Control
CLI	Command-Line Interface
DHCP	Dynamic Host Configuration Protocol
DVI	Digital Visual Interface
EDID	Extended Display Identification Data
HD	High-Definition
HDCP	High-bandwidth Digital Content Protection
HDMI	High-Definition Multimedia Interface
HDR	High Dynamic Range
HDTV	High-Definition Television
IP	Internet Protocol
IR	Infrared
LAN	Local Area Network
LED	Light-Emitting Diode
LPCM	Linear Pulse-Code Modulation
NTSC	National Television System Committee
OSD	On-Screen Display
PAL	Phase Alternating Line
PC	Personal Computer

ACRONYM	COMPLETE TERM
PD	Powered Device
PoH	Power over HDBaseT
PSE	Power Sourcing Equipment
TCP	Transmission Control Protocol
UHD	Ultra-High-Definition
UHD+	Ultra-High-Definition Plus
UHDTV	Ultra-High-Definition Television
USB	Universal Serial Bus
VGA	Video Graphics Array
WUXGA (RB)	Widescreen Ultra Extended Graphics Array (Reduced Blanking)
XGA	Extended Graphics Array



CYPRESS TECHNOLOGY CO., LTD.

www.cypress.com.tw