

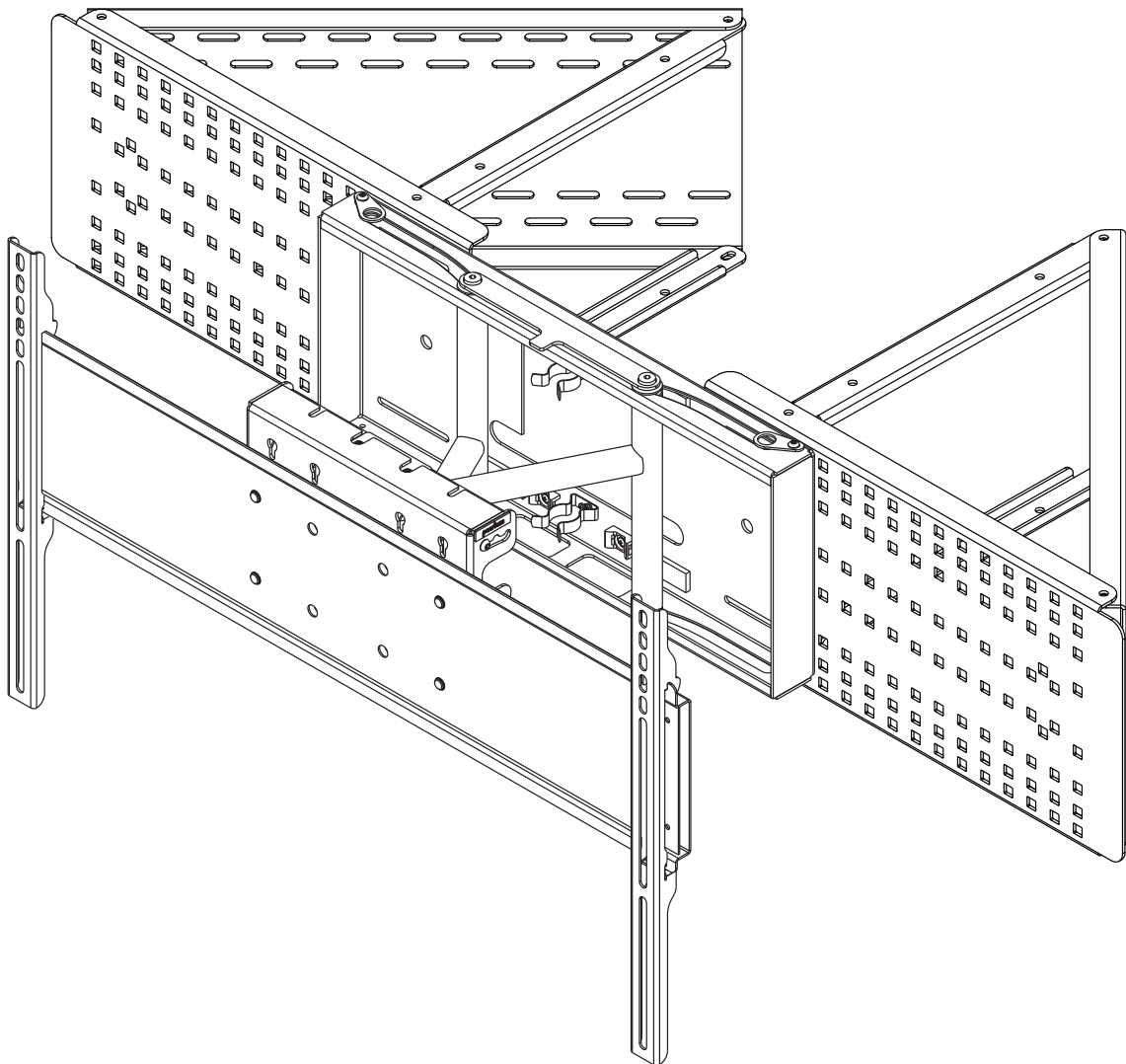


Installation and Assembly:

Flat Panel Corner Mount for 32" – 60" flat panel displays

Models: CM850, CM850-S

Maximum Load Capacity: 150 lb (68 kg)



Features

- Allows display to fit in corner where space is limited
- Includes SmartMount® SP850-UNL Pull-Out Swivel Mount
- Expandable arms accommodate multiple display sizes without having to adjust wall mount placement
- Extend up to 10.75"
- Pull-out swivel with up to 90° rotation
- 0°, 5° or 10° lockable tilt
- Accessory shelf available for A/V components (sold separately)
- Mounts to wood studs, concrete, cinder block

Note: Read entire instruction sheet before you start installation and assembly.

⚠ WARNING

- Do not begin to install your Peerless product until you have read and understood the instructions and warnings contained in this Installation Sheet. If you have any questions regarding any of the instructions or warnings, for US customers please call Peerless customer care at 1-800-865-2112, for all international customers, please contact your local distributor.
- This product should only be installed by someone of good mechanical aptitude, has experience with basic building construction, and fully understands these instructions.
- Make sure that the supporting surface will safely support the combined load of the equipment and all attached hardware and components.
- Never exceed the Maximum Load Capacity. See page one.
- If mounting to wood wall studs, make sure that mounting screws are anchored into the center of the studs. Use of an "edge to edge" stud finder is highly recommended.
- Always use an assistant or mechanical lifting equipment to safely lift and position equipment.
- Tighten screws firmly, but do not overtighten. Overtightening can damage the items, greatly reducing their holding power.
- This product is intended for indoor use only. Use of this product outdoors could lead to product failure and personal injury.
- This product was designed to be installed on the following wall construction only;

WALL CONSTRUCTION

HARDWARE REQUIRED

- | | |
|--------------------|--------------------------------|
| • Wood Stud | Included |
| • Wood Beam | Included |
| • Solid Concrete | Included |
| • Cinder Block | Included |
| • Metal Stud | Contact Qualified Professional |
| • Brick | Contact Qualified Professional |
| • Other or unsure? | Contact Qualified Professional |

Tools Needed for Assembly

- stud finder (edge-to-edge stud finder recommended)
- phillips screwdriver
- drill
- 6mm allen wrench
- 5/32" drill bit for wood stud wall
- 1/4" drill bit for concrete wall
- level

Accessories

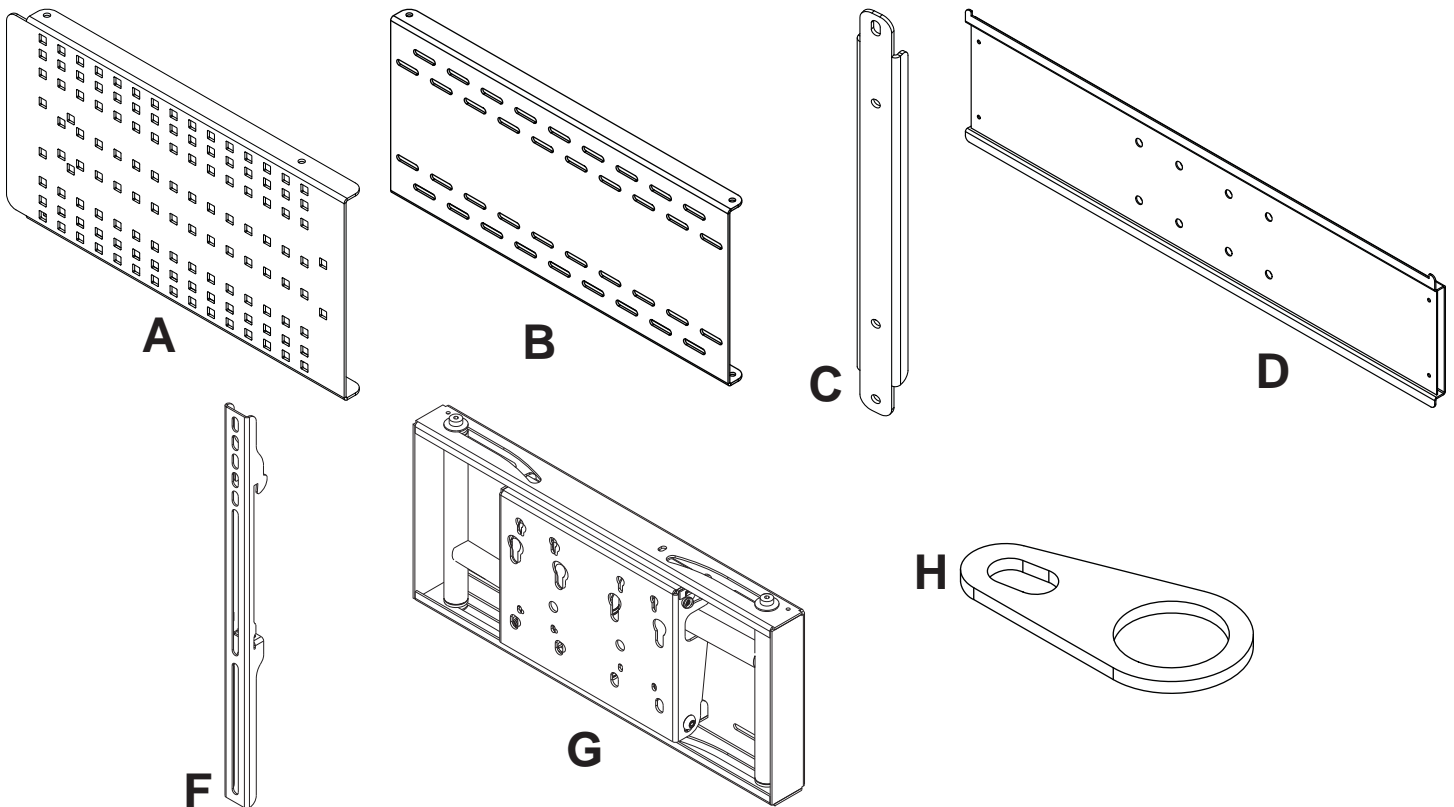
- ACC324(-S) - Shelving Unit for Corner Mount
- ACC930 - Fastener pack for speaker mounts

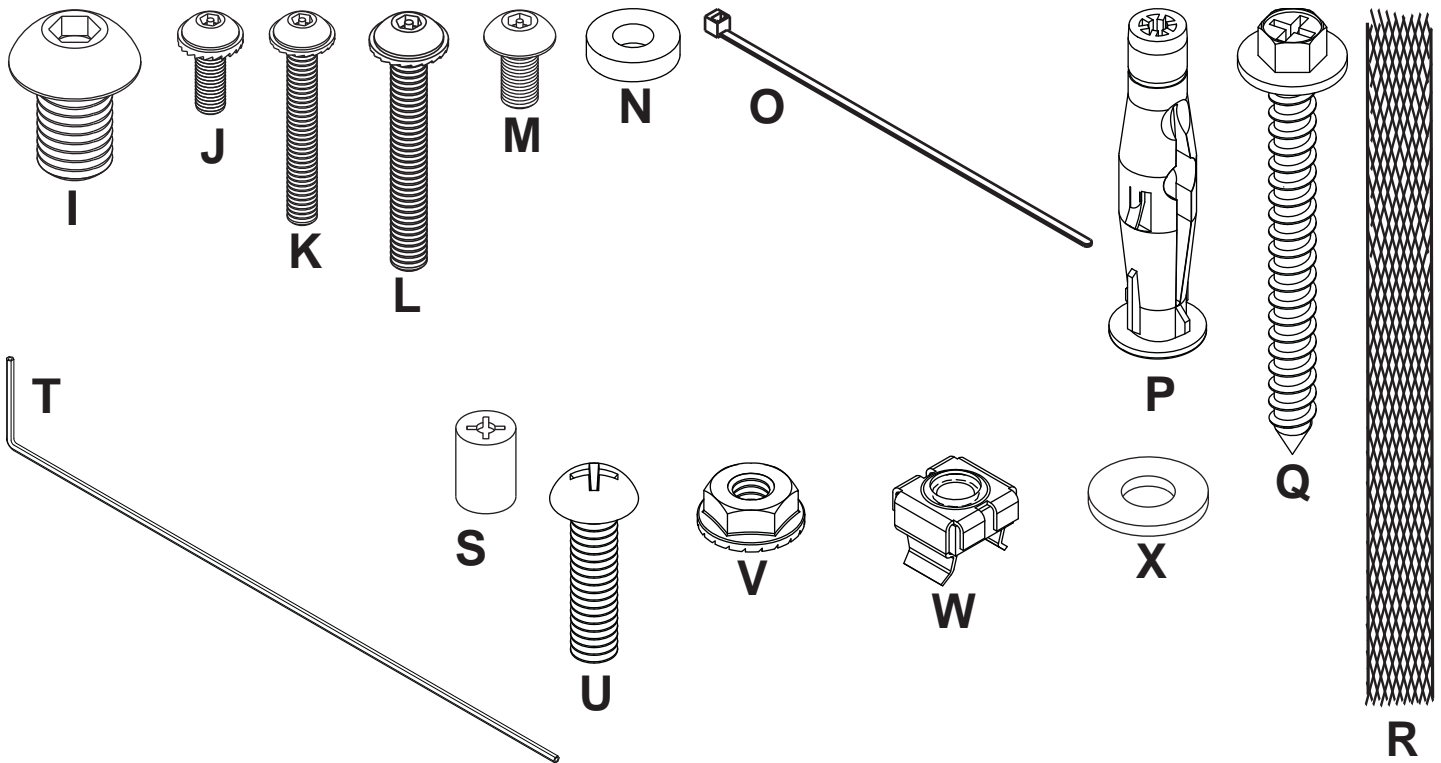
Table of Contents

Parts List.....	3
Installation to Interior Corner Wood Stud Walls.....	5
Installation to Exterior Corner Wood Stud Walls.....	6
Installation to Interior Concrete or Cinder Block Wall.....	7
Installation to Exterior Concrete or Cinder Block Wall.....	8
Attaching Interface Plate.....	9
Installing Adapter Brackets.....	12
Installing Speaker Mounts.....	16

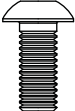

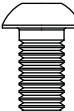
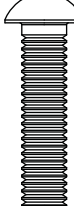
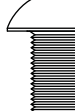


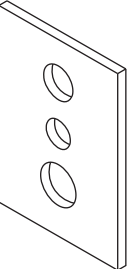
Before you begin, make sure all parts shown are included with your product.
Parts may appear slightly different than illustrated.

Parts List			Black	Silver
Description	Qty.	Part #	Part #	Part #
A interface plate	2	120-1075	120-4075	
B wall plate	2	120-1076	120-4076	
C support brackets	4	120-1077	120-4077	
D adapter plate	1	201-1110	201-4110	
F shallow adapter bracket	2	201-1511	201-4511	
G wall mount assembly	1	201-0385	201-0383	
H locking tab	1	200-1871	200-4871	
I M10 x 15 mm round socket head screw	4	520-9262	520-9262	
J M4 x 12 mm socket pin serrated washer head screws	4	510-1079	510-1079	
K M4 x 20 mm socket pin serrated washer head screws	4	510-1061	510-1061	
L M5 x 40 mm socket pin serrated washer head screws	1	510-1001	510-1001	
M M5 x 10 mm socket pin head screw	5	520-1063	520-1063	
N .125" spacer	1	540-1032	540-1032	
O cable ties	4	560-9711	560-9711	
P concrete anchors	8	590-0320	590-0320	
Q #14 x 2.5" wood screws	8	5S1-015-C03	5S1-015-C03	
R 18" polyester mesh sleeve	2	600-1014	600-1014	
S .437" retaining spacer	4	590-5005	590-5005	
T 4 mm security allen wrench	1	560-1146	560-1146	
U 1/4-20 x 1" round phillips head screw	24	510-9110	510-9110	
V 1/4-20 flanged serrated locknut	16	530-1021	530-1021	
W 1/4-20 Tinnerman® cage nut	12	530-2050	530-2050	
X 1/4" flat washer	24	540-9440	540-9440	





Security Adapter Bracket Fasteners

 M5 x 12mm (4) (520-1064)	 M5 x 25mm (4) (520-1122)	 M6 x 12mm (4) (520-1050)	 M6 x 25mm (4) (520-1211)	 M8 x 12mm (4) (520-1724)	 M8 x 25mm (4) (520-1101)	 .75" spacer (4) (540-1059)	 Multi-washer (4) (580-1398)
--	--	--	--	--	---	--	---

Installing to Interior Corner Wood Stud Wall

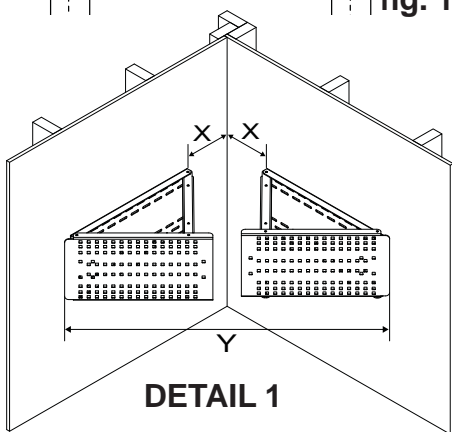
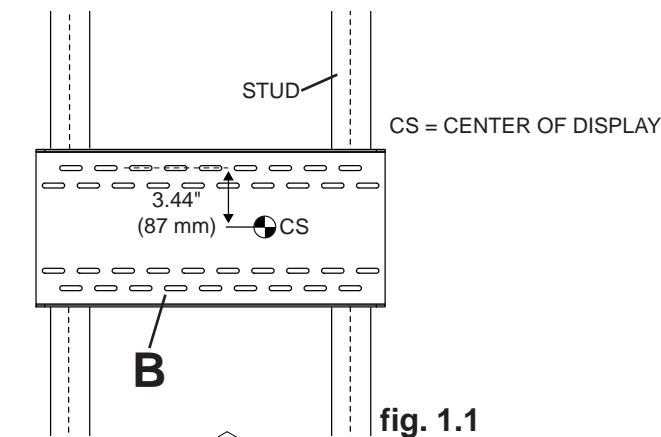
⚠ WARNING

- Installer must verify that the supporting surface will safely support the combined load of the equipment and all attached hardware and components.
- Tighten wood screws so that wall plate is firmly attached, but do not overtighten. Overtightening can damage the screws, greatly reducing their holding power.
- Never tighten in excess of 80 in. • lb (9 N.M.).
- Make sure that mounting screws are anchored into the center of the stud. The use of an "edge to edge" stud finder is highly recommended.
- Hardware provided is for attachment of mount through standard thickness drywall or plaster into wood studs. Installers are responsible to provide hardware for other types of mounting situations.

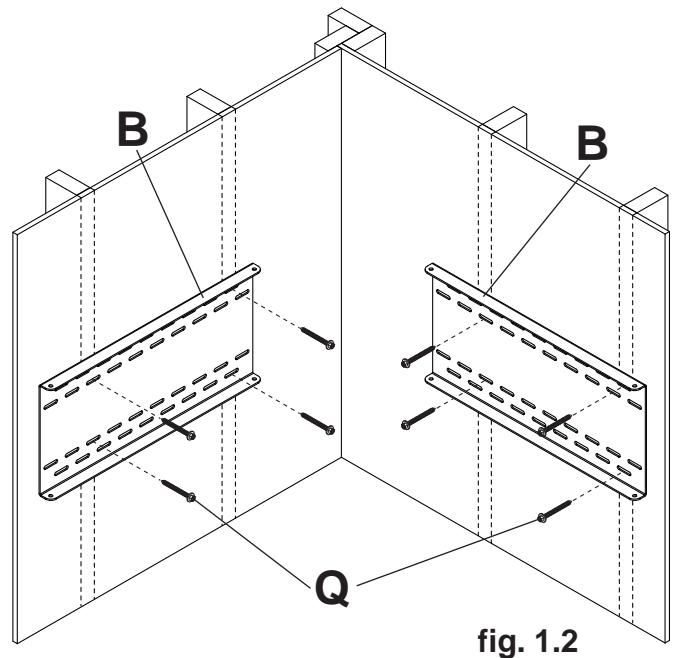
1 Wall plates (**B**) can be mounted to one or two studs that are 16" apart. Use a stud finder to locate the edges of the studs. Use of an edge-to-edge stud finder is highly recommended. Based on their edges, draw a vertical line down each stud's center on both walls. **NOTE:** Depending on placement of studs on wall corners, mounting to two studs may not be possible.

Determine the distance from the corner of the wall to the inside edge of the wall plates (**B**) using the equation below and detail 1 to get distance "X". **NOTE:** If mounting speaker mounts to sides of corner mount, display can be no larger than 40". See page 16 for speaker mount installation.

Measure "X" distance from corner of wall and mark location for inside edge of wall plate. The top mounting slots of wall plate should be located 3.44" (87 mm) above the desired display center as shown in fig 1.1. Level wall plate, align to location marked for inside edge of wall plate and mark four slots in alignment with center of studs. Repeat for opposite wall plate. Drill 5/32" (4 mm) dia. holes to a minimum depth of 2.5" (64 mm). Make sure that wall plates are level and secure using #14 x 2.5" wood screws (**Q**).



$$"X" = \frac{Y}{1.414} - 21.216$$



Installing to Exterior Corner Wood Stud Wall

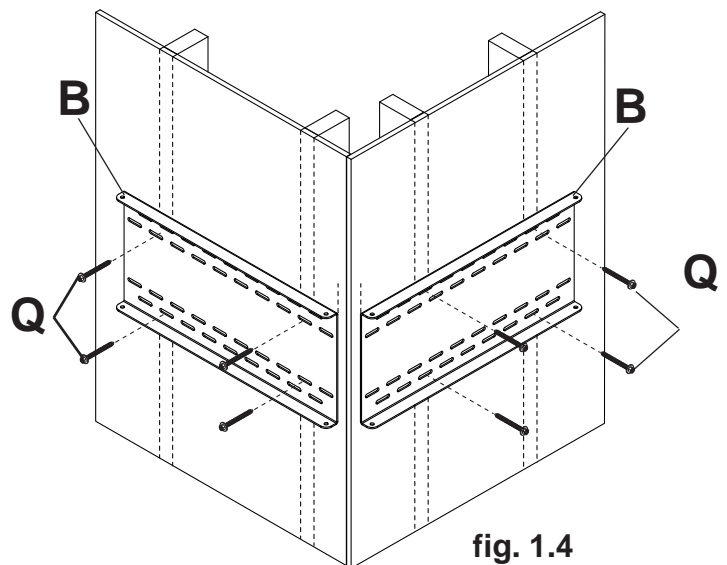
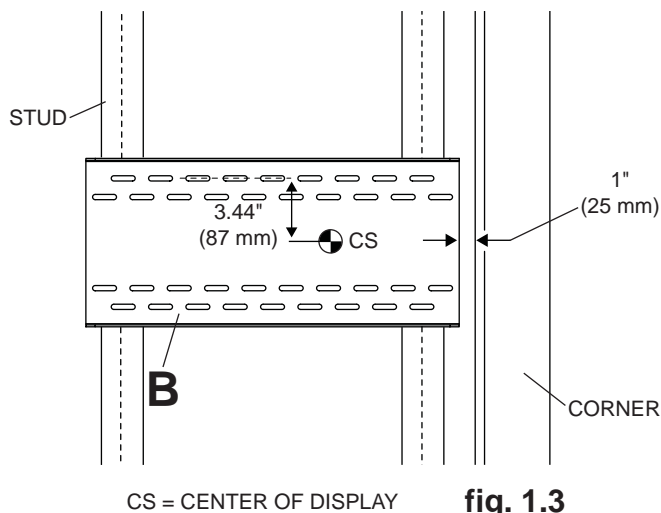
⚠ WARNING

- Installer must verify that the supporting surface will safely support the combined load of the equipment and all attached hardware and components.
- Tighten wood screws so that wall plate is firmly attached, but do not overtighten. Overtightening can damage the screws, greatly reducing their holding power.
- Never tighten in excess of 80 in. • lb (9 N.M.).
- Make sure that mounting screws are anchored into the center of the stud. The use of an "edge to edge" stud finder is highly recommended.
- Hardware provided is for attachment of mount through standard thickness drywall or plaster into wood studs. Installers are responsible to provide hardware for other types of mounting situations.

1 Wall plates (**B**) can be mounted to one or two studs that are 16" apart. Use a stud finder to locate the edges of the studs. Use of an edge-to-edge stud finder is highly recommended. Based on their edges, draw a vertical line down each stud's center on both walls. **NOTE:** Depending on placement of studs on wall corners, mounting to two studs may not be possible.

NOTE: If mounting speaker mounts to sides of corner mount, display can be no larger than 40". See page 16 for speaker mount installation.

Measure 1" (25 mm) from corner of wall and mark location for inside edge of wall plate. The top mounting slots of wall plate should be located 3.44" (87 mm) above the desired display center as shown in fig 1.3. Level wall plate, align to location marked for inside edge of wall plate and mark four slots in alignment with center of studs. Repeat for opposite wall plate. Drill 5/32" (4 mm) dia. holes to a minimum depth of 2.5" (64 mm). Make sure that wall plates are level and secure using #14 x 2.5" wood screws (**Q**).

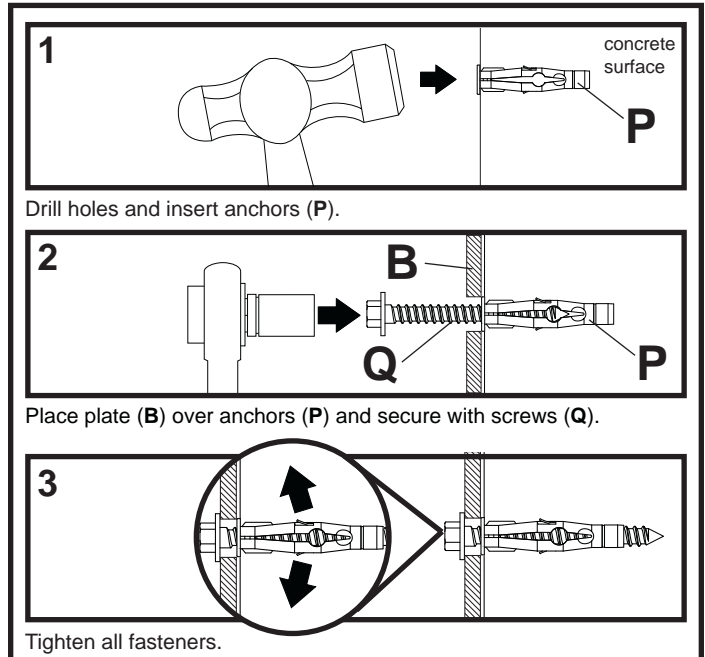


Installing to Interior Corner Concrete or Cinder Block Wall

⚠ WARNING

- When installing Peerless wall mounts on cinder block, verify that you have a minimum of 1-3/8" of actual concrete thickness in the hole to be used for the concrete anchors. Do not drill into mortar joints! Be sure to mount in a solid part of the block, generally 1" minimum from the side of the block. Cinder block must meet ASTM C-90 specifications. It is suggested that a standard electric drill on slow setting is used to drill the hole instead of a hammer drill to avoid breaking out the back of the hole when entering a void or cavity.
- Concrete must be 2000 psi density minimum. Lighter density concrete may not hold concrete anchor.
- Installer must verify that the supporting surface will safely support the combined load of the equipment and all attached hardware and components.

- 1** Determine the distance from the corner of the wall to the inside edge of the wall plate (**B**) using the equation and detail 1 on page 5 to get distance "X". **NOTE:** If mounting speaker mounts to sides of corner mount, display can be no larger than 40". See page 16 for speaker mount installation. Measure "X" distance from corner of wall and mark location for inside edge of wall plate. The top mounting slots of wall plate should be located 3.44" (87 mm) above the desired display center as shown in fig 1.1 on page 5. Level wall plate (**B**), align to location marked for inside edge of wall plate and mark four slots in alignment with center of studs. Repeat for opposite wall plate. Drill 1/4" (6 mm) dia. holes to a minimum depth of 2.5" (64 mm). Insert anchors (**P**) in holes flush with wall as shown (right). Place wall plate over anchors, make sure that wall plates are level and secure using #14 x 2.5" wood screws (**Q**).

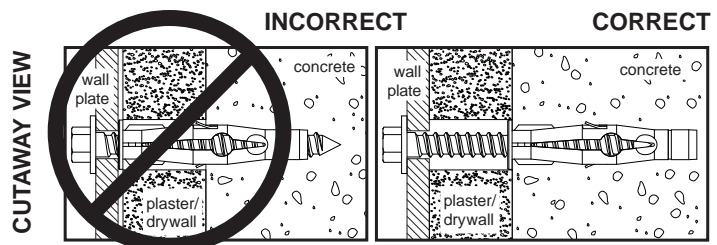
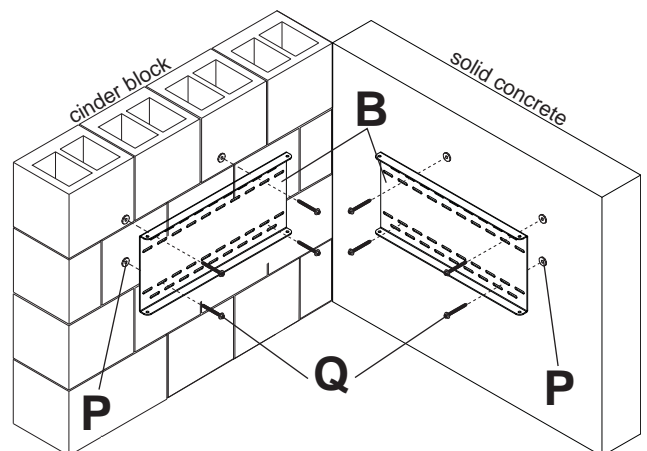


⚠ WARNING

- Tighten screws so that wall plate is firmly attached, but do not overtighten. Overtightening can damage screws, greatly reducing their holding power.
- Never tighten in excess of 80 in. • lb (9 N.M.).

⚠ WARNING

- Always attach concrete anchors directly to load-bearing concrete.
- Never attach concrete anchors to concrete covered with plaster, drywall, or other finishing material. If mounting to concrete surfaces covered with a finishing surface is unavoidable, the finishing surface must be counterbored as shown right. Be sure concrete anchors do not pull away from concrete when tightening screws. If plaster/drywall is thicker than 5/8", custom fasteners must be supplied by installer.

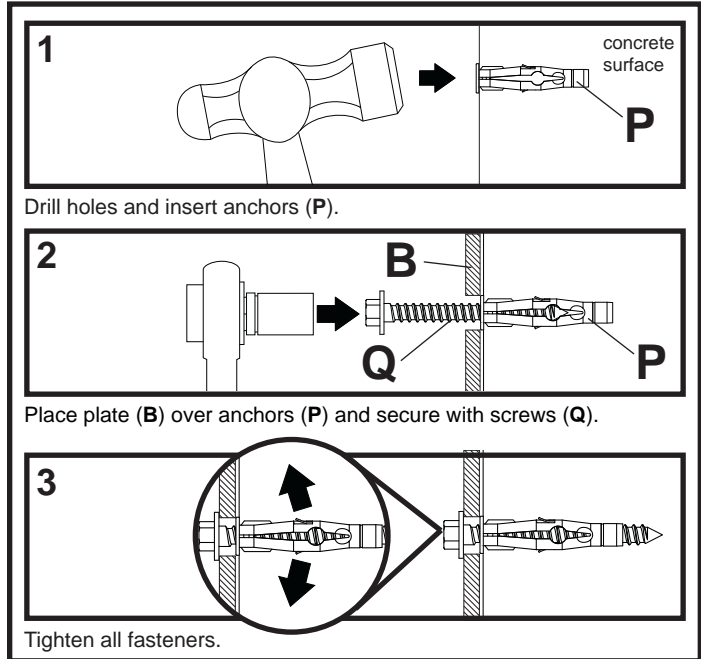


Installing to Exterior Corner Concrete or Cinder Block Wall

⚠ WARNING

- When installing Peerless wall mounts on cinder block, verify that you have a minimum of 1-3/8" of actual concrete thickness in the hole to be used for the concrete anchors. Do not drill into mortar joints! Be sure to mount in a solid part of the block, generally 1" minimum from the side of the block. Cinder block must meet ASTM C-90 specifications. It is suggested that a standard electric drill on slow setting is used to drill the hole instead of a hammer drill to avoid breaking out the back of the hole when entering a void or cavity.
- Concrete must be 2000 psi density minimum. Lighter density concrete may not hold concrete anchor.
- Installer must verify that the supporting surface will safely support the combined load of the equipment and all attached hardware and components.

1 **NOTE:** If mounting speaker mounts to sides of corner mount, display can be no larger than 40". See page 16 for speaker mount installation. Measure 1" (25 mm) from corner of wall and mark location for inside edge of wall plate. The top mounting slots of wall plate should be located 3.44" (87 mm) above the desired display center as shown in fig 1.3 on page 6. Level wall plate (B), align to location marked for inside edge of wall plate and mark four slots in alignment with center of studs. Repeat for opposite wall plate. Drill 1/4" (6 mm) dia. holes to a minimum depth of 2.5" (64 mm). Insert anchors (P) in holes flush with wall as shown (right). Place wall plate over anchors, make sure that wall plates are level and secure using #14 x 2.5" wood screws (Q).

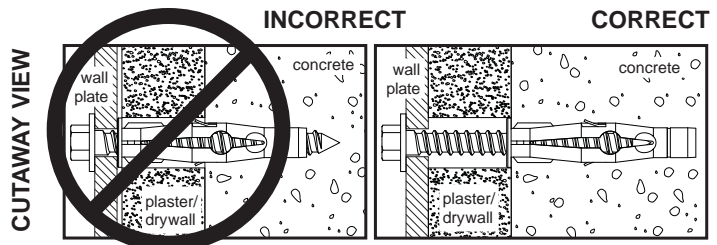
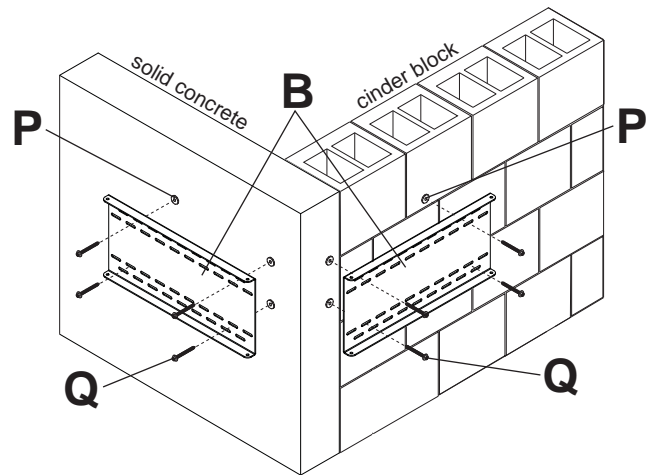


⚠ WARNING

- Tighten screws so that wall plate is firmly attached, but do not overtighten. Overtightening can damage screws, greatly reducing their holding power.
- Never tighten in excess of 80 in. • lb (9 N.M.).

⚠ WARNING

- Always attach concrete anchors directly to load-bearing concrete.
- Never attach concrete anchors to concrete covered with plaster, drywall, or other finishing material. If mounting to concrete surfaces covered with a finishing surface is unavoidable, the finishing surface must be counterbored as shown right. Be sure concrete anchors do not pull away from concrete when tightening screws. If plaster/drywall is thicker than 5/8", custom fasteners must be supplied by installer.



Attaching Interface Plate

- 2** Attach interface plate (A) to wall plate (B) using one 1/4-20 x 1" round phillips head screw (U), 1/4" flat washer (X) and 1/4-20 flanged serrated locknut (V) as shown in fig 2.1 or 2.2 for interior corners or fig 2.3 and 2.4 for exterior corners. Repeat for opposite interface plate.

NOTE: Be sure top flange of interface plate (A) rests on top flange of wall plate (B).

NOTE: Do not fully tighten fasteners.

LEFT INTERIOR CORNER

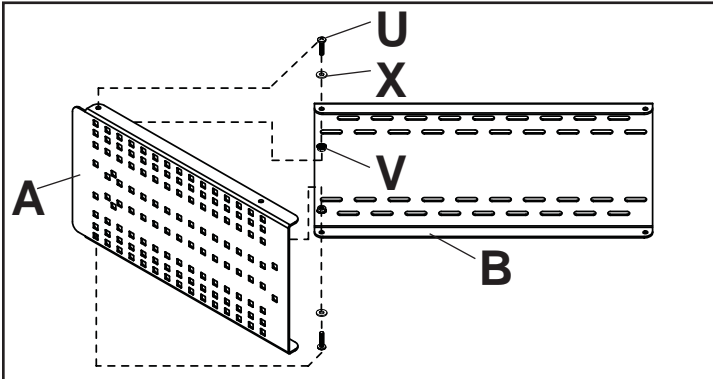


fig. 2.1

RIGHT INTERIOR CORNER

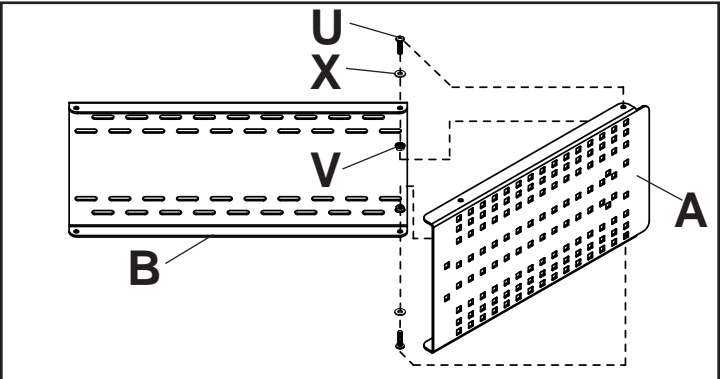


fig. 2.2

LEFT EXTERIOR CORNER

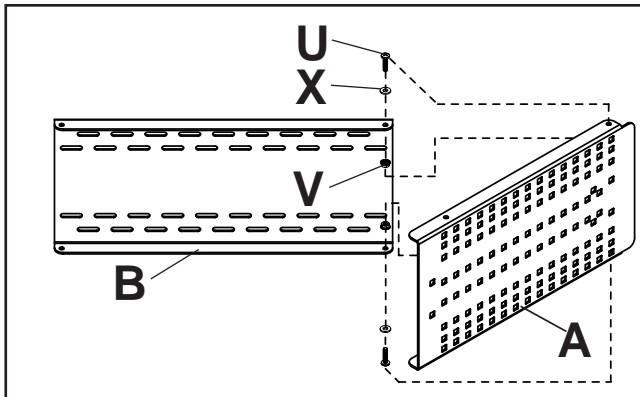


fig. 2.3

RIGHT EXTERIOR CORNER

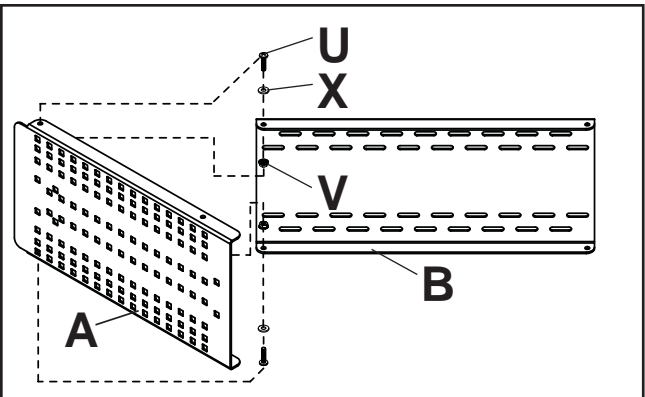
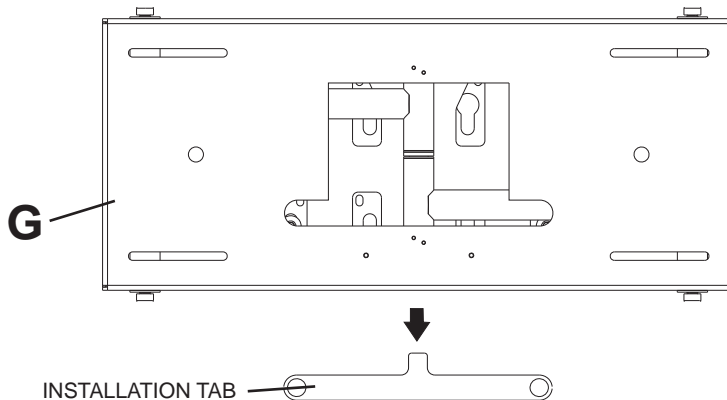
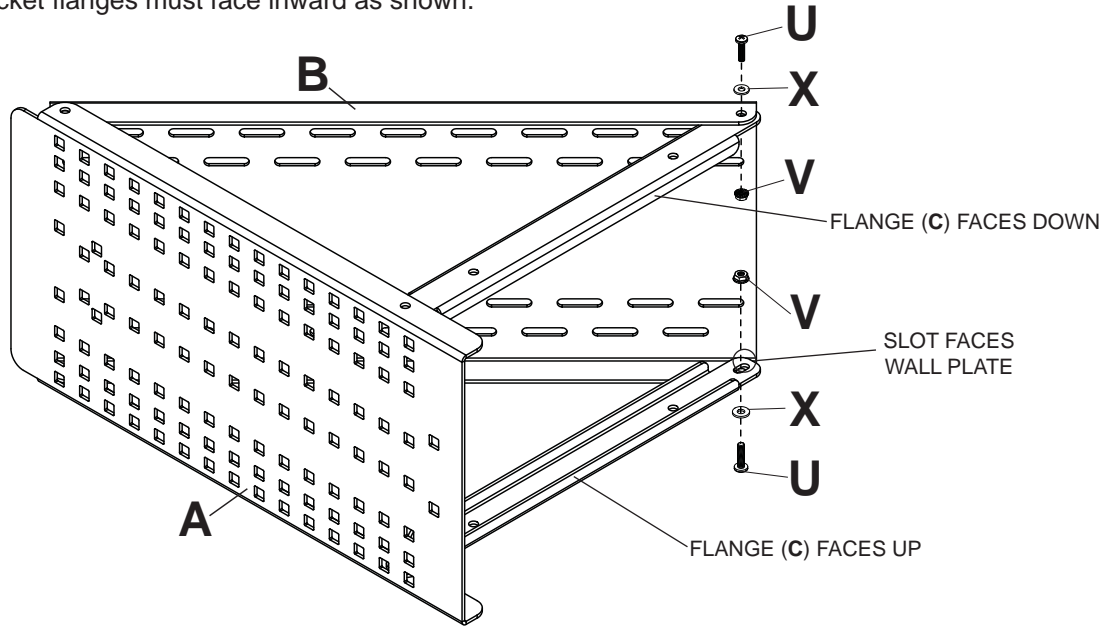


fig. 2.4

- 3** Snap installation tab off of wall mount assembly (G).



- 4** Attach and tighten two support brackets (**C**) to inside of interface plate (**A**) and wall plate (**B**) using two sets of 1/4-20 x 1" round phillips head screws (**U**), 1/4" flat washers (**X**) and 1/4-20 flanged serrated locknuts (**V**). Repeat for remaining interface plate then tighten all fasteners.
NOTE: Support bracket flanges must face inward as shown.



- 5-1** Align wall mount assembly (**G**) with interface plates (**A**) to determine location of cage nuts (**W**) used to secure wall mount assembly (**G**) to interface plates. Install cage nuts from rear side of interface plates (**A**) as shown in figure 5.1.

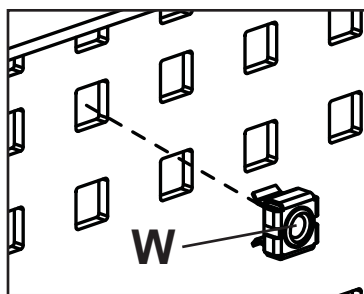


fig 5.1

- 5-2** Attach wall mount assembly (**G**) to interface plates (**A**) using eight 1/4-20 x 1" round phillips head screws (**U**) and 1/4" flat washers (**X**) through slots into cage nuts as shown in figure 5.2.

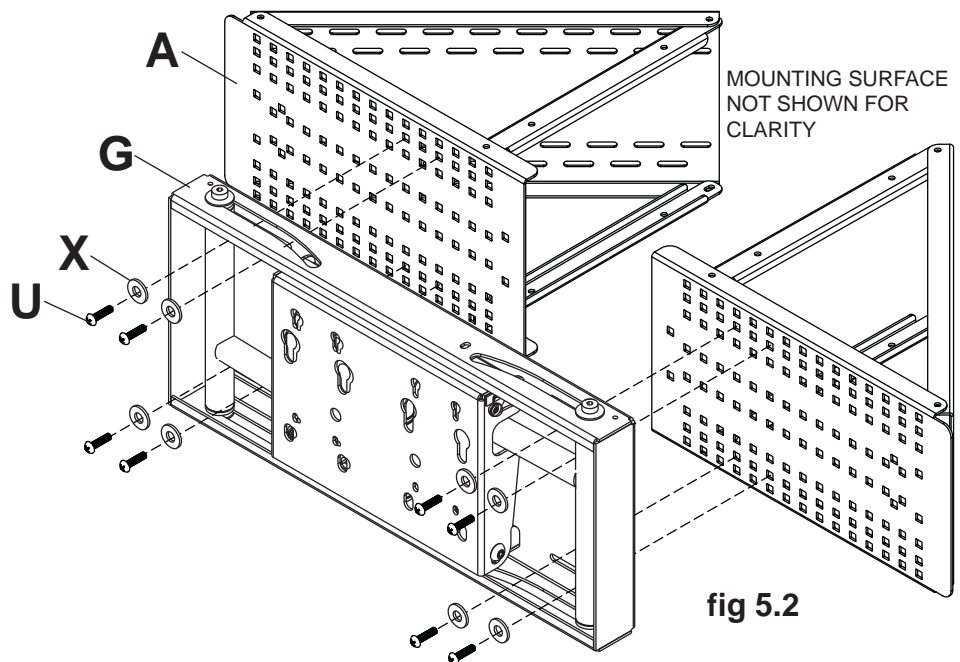
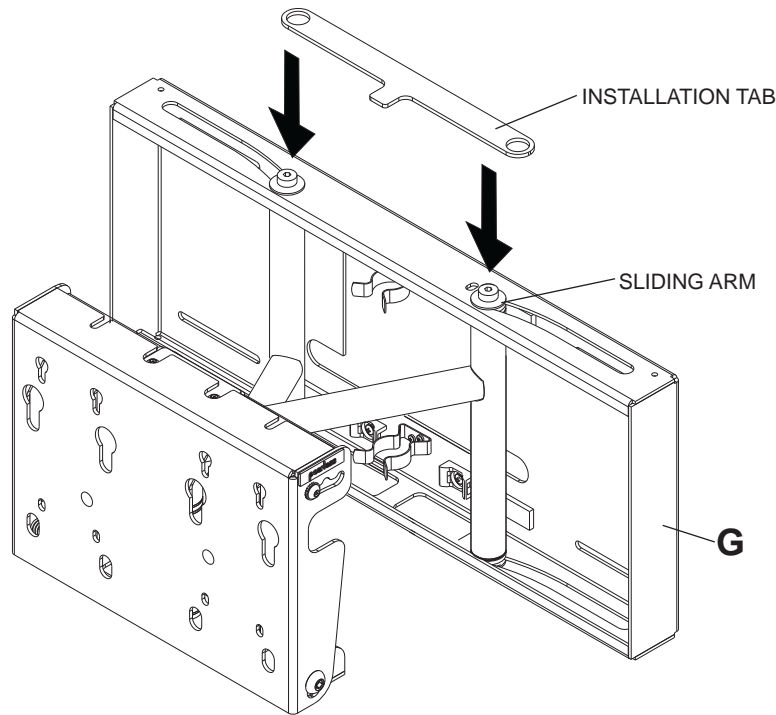


fig 5.2

6 Place installation tab over sliding arms of wall mount assembly (**G**) to lock them in place.



7 Thread two M10 x 15 mm screws (**I**), leaving .25" exposed thread, into top holes on back of adapter plate (**D**). Hook adapter plate (**D**) to mounting plate and attach using two bottom M10 x 15 mm screws (**I**) as shown in figures 7.1 and 7.2. Tighten screws using 6 mm allen wrench (not included).

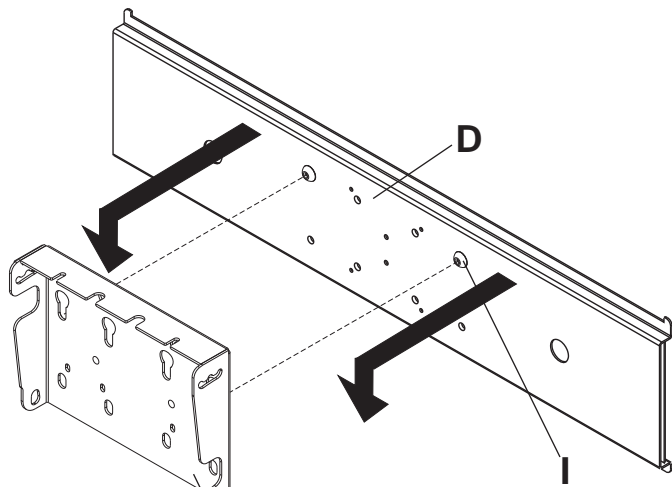


fig. 7.1

MOUNTING PLATE
(NOTE: MOUNTING PLATE SHOWN WITHOUT FULL WALL MOUNT ASSEMBLY FOR CLARITY)

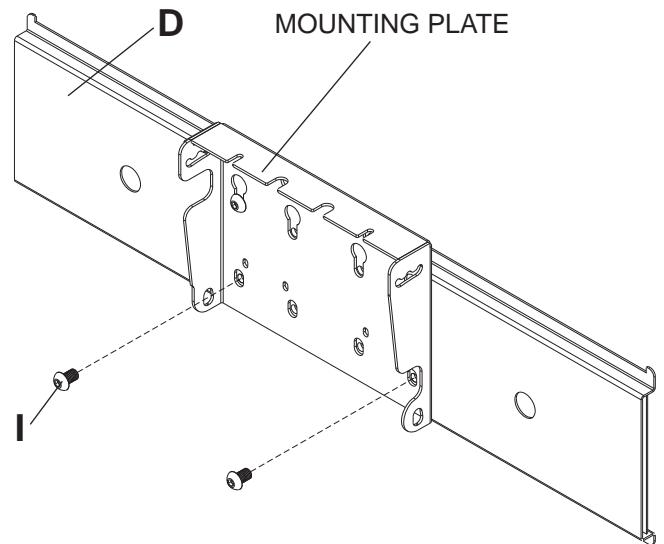


fig. 7.2

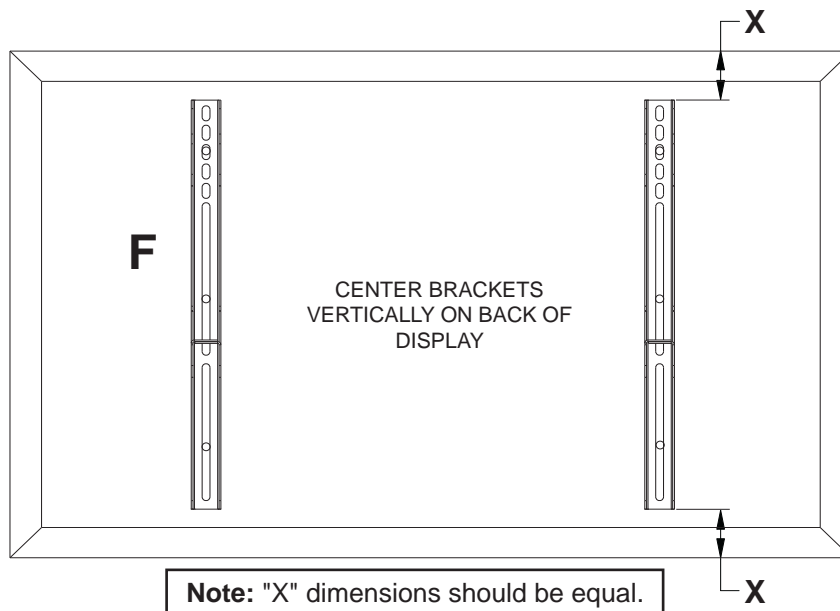
Installing Adapter Brackets

⚠ WARNING

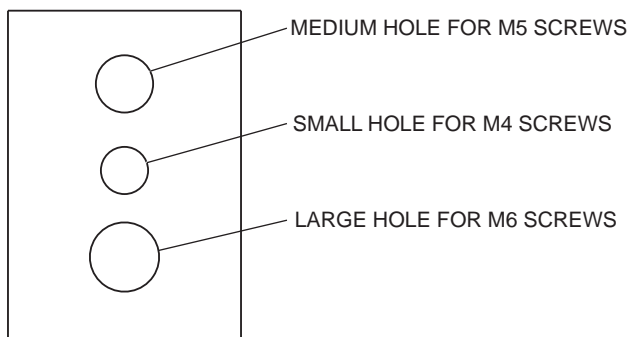
- Tighten screws so adapter brackets are firmly attached. Do not tighten with excessive force. Overtightening can cause stress damage to screws, greatly reducing their holding power and possibly causing screw heads to become detached. Tighten to 40 in. • lb (4.5 N.M.) maximum torque.
- If screws don't get three complete turns in the display inserts or if screws bottom out and bracket is still not tightly secured, damage may occur to display or product may fail.

8 To prevent scratching the display, set a cloth on a flat, level surface that will support the weight of the display. Place display face side down. Refer to display manufacturer's instructions or customer service, for removing any knobs, base, cover, or screw(s) on the back of the display to prepare mounting. These need to be removed to allow the adapter brackets to be attached. Select the small, medium, large or extra large screws from the baffled fastener pack then attach adapter brackets (**F**) to display following figure 8.1 or 8.2.

NOTE: Top and bottom mounting holes on display must be used for attaching brackets. Verify that all holes are properly aligned, and then tighten screws using a phillips screwdriver.



MULTI-WASHER



Notes:

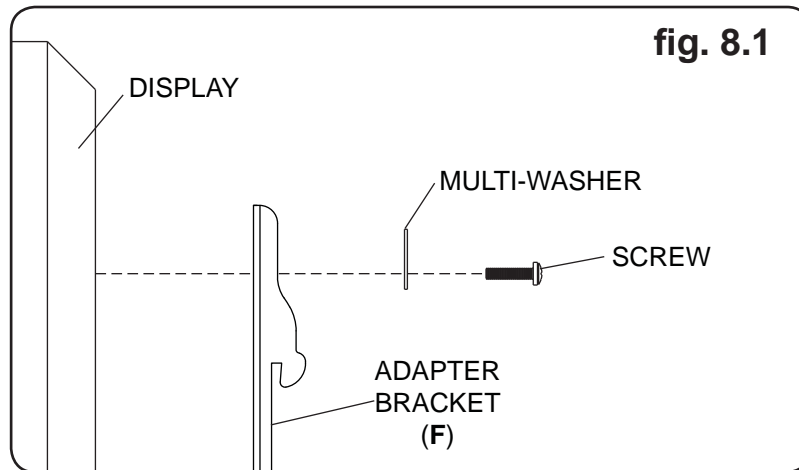
- The number of fasteners used will vary, depending upon the type of display.
- Multi-washers and spacers may not be used, depending upon the type of display.
- Use the corresponding hole in the multi-washer that matches your screw size.

NOTE: For flat back displays proceed to step 8-1. For bump-out or recessed back display skip to step 8-2.

For Flat Back Display

- 8-1** Begin with the shortest length screw, hand thread through multi-washer and adapter bracket into display as shown below. Screw must make at least three full turns into the mounting hole and fit snug into place. Do not over tighten. If screw cannot make three full turns into the display, select a longer length screw from the baffled fastener pack. Repeat for remaining mounting holes, level brackets and tighten screws.

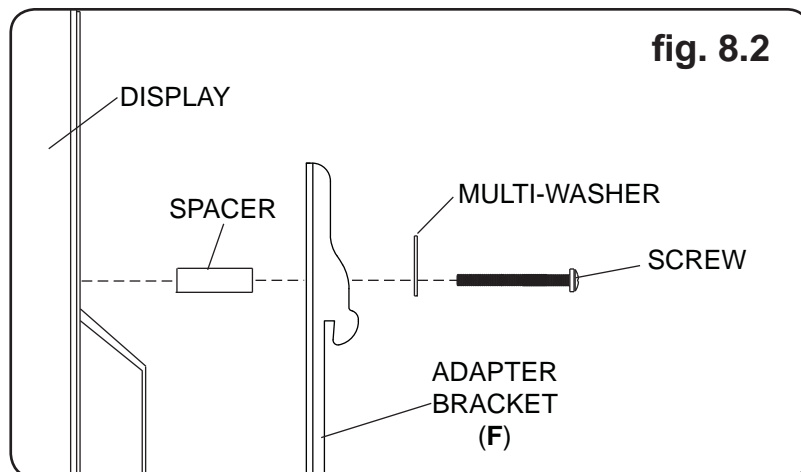
NOTE: Spacers may not be used, depending upon the type of display.



If you have any questions, please call Peerless customer care at 1-800-865-2112.

For Bump-out or Recessed Back Display

- 8-2** Begin with longer length screw, hand thread through multi-washer, adapter bracket and spacer in that order into display as shown below. Screw must make at least three full turns into the mounting hole and fit snug into place. Do not over tighten. If screw cannot make three full turns into the display, select a longer length screw from the baffled fastener pack. Repeat for remaining mounting holes, level brackets and tighten screws.



If you have any questions, please call Peerless customer care at 1-800-865-2112.

⚠ WARNING

- Always use an assistant or mechanical lifting equipment to safely lift and position the plasma television.

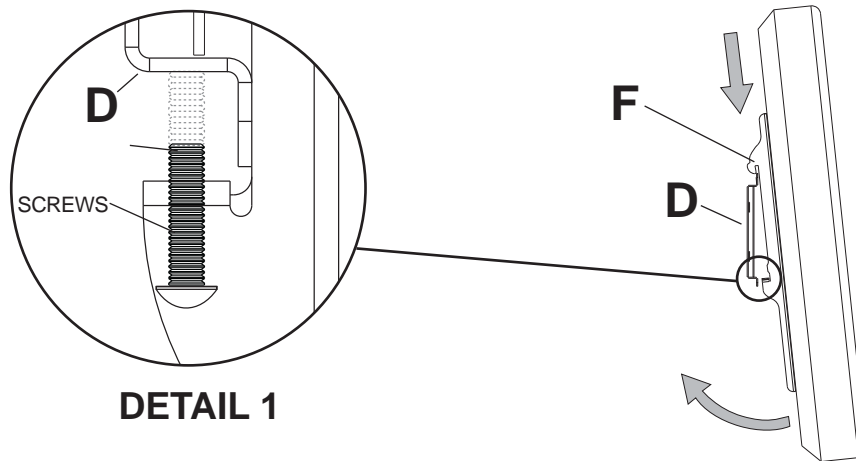
Mounting and Removing Flat Panel Display

- 9** Hook adapter brackets (F) onto adapter plate (D), then slowly swing display in as shown. Turn screws clockwise at least six times to prevent display from being removed as shown in detail 1. Tighten using 4 mm security allen wrench (T).

Display can be adjusted horizontally if desired.

NOTE: To lock the display down, tighten screws to adapter plate as shown in detail 1.

To remove display from mount, loosen screws, swing display away from mount, and lift display off of mount.



- 10** Display can tilt 5° or 10° forward.
NOTE: Display must be securely attached to mounting plate with all fasteners before adjusting tilt.

To tilt display 5° forward, lift and pull mounting plate forward until middle notch rests on M6 screw as shown in figure 10.1. Tighten M6 screw (both sides) and M10 screws (both sides).

To tilt display 10° forward, lift and pull mounting plate forward until rear notch rests on M6 screw as shown in figure 10.2. Tighten M6 screw (both sides) and M10 screws (both sides).

NOTE: For security models, tighten M6 screw using security allen wrench (T). For all M10 screws, use 6 mm allen wrench (not included).

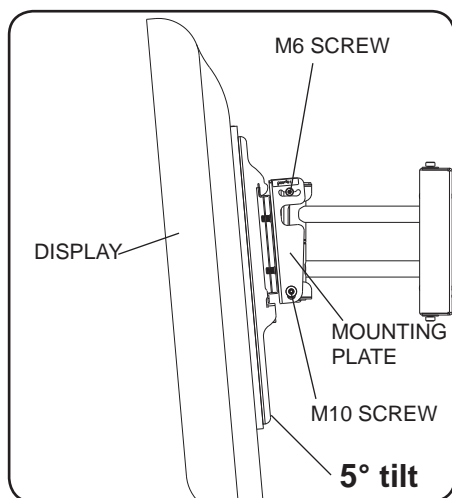


fig. 10.1

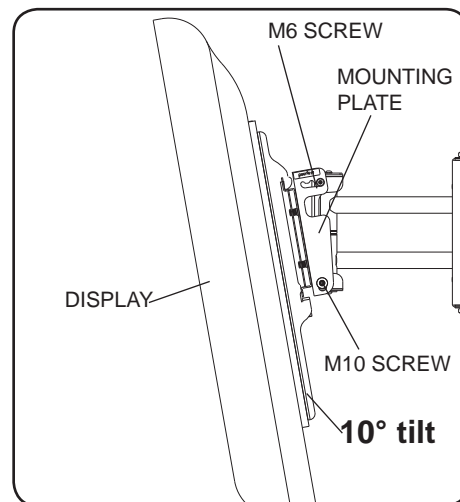
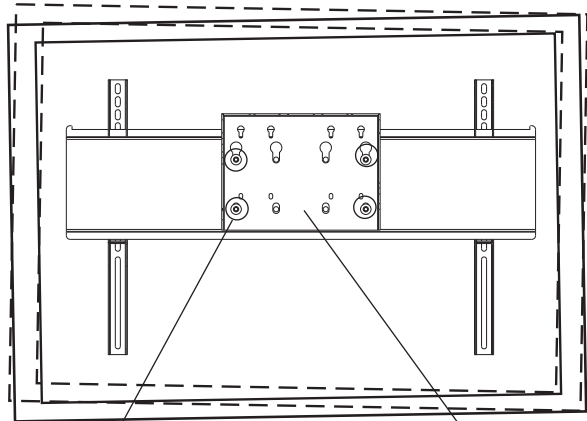


fig. 10.2

11 Roll can be adjusted 1° clockwise or counterclockwise.

To adjust roll, loosen M10 x 15 mm screws (I) slightly, leaving them snug. Level display and adapter brackets, then tighten screws (I).

NOTE: When adjusting roll, screws should be retightened as indicated in step 8.

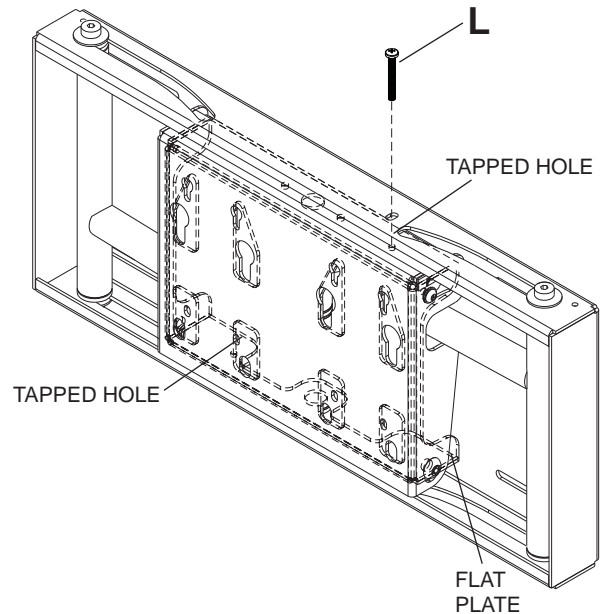


M10 x 15 MM SCREW (I) NOTE: MOUNTING PLATE SHOW WITHOUT FULL WALL MOUNT ASSEMBLY FOR CLARITY.

BACK VIEW

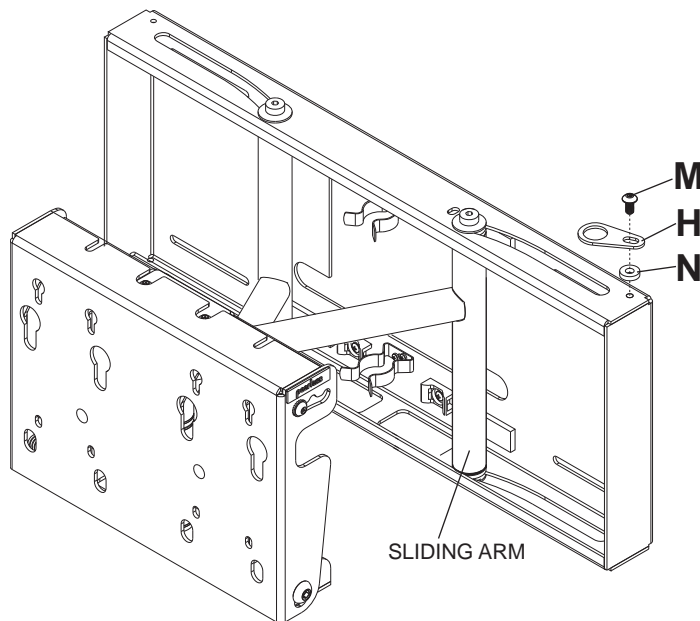
12 **Optional:** To lock mount in closed position, insert one M5 x 40 mm screw (L) into tapped hole in either top or bottom of flat plate.

NOTE: Full assembly/display not shown for clarity.



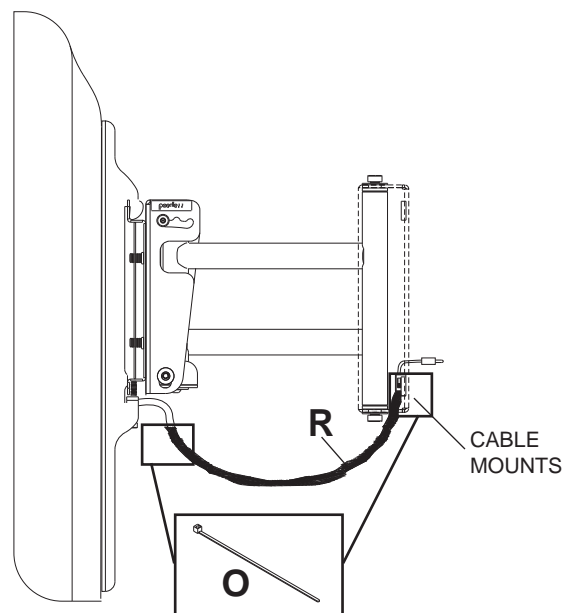
13 **Optional:** To lock one sliding arm of mount in place, slide locking tab (H) over top or bottom of sliding arm and attach to mount using one M5 x 10 mm screw (M) and one spacer (N).

NOTE: Full assembly/display not shown for clarity.



14 Slide one mesh sleeve (R) over each cable. Use cable ties (O) to tighten both ends of mesh sleeves to cables.

NOTE: Loop cable ties through cable mounts and tighten cable and mesh sleeve to cable mounts.



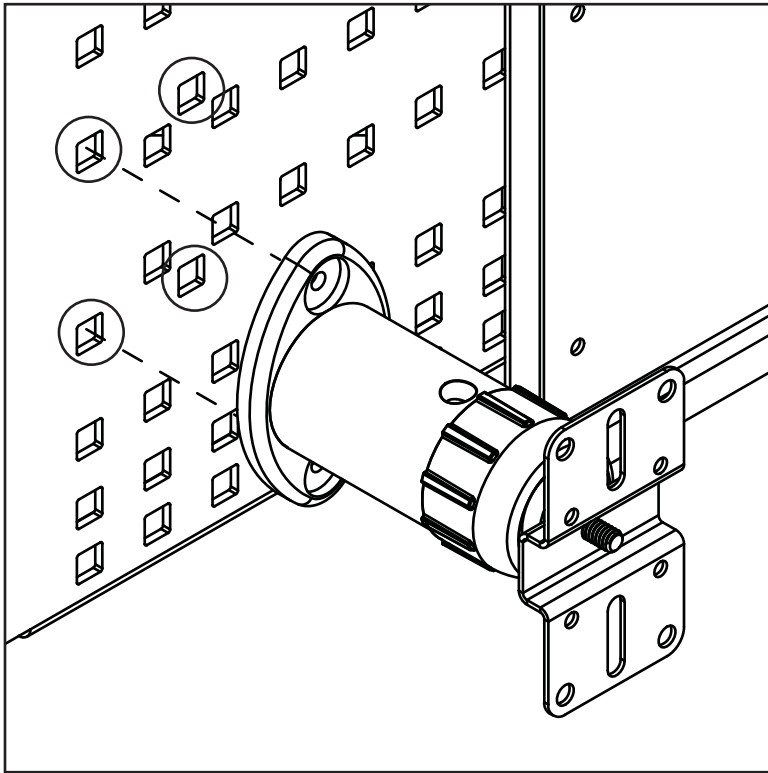
Installing Speaker Mounts (optional)

15

NOTE: Corner mount may be visible with smaller size displays.

NOTE: Speaker mount (sold separately) may appear different than illustrated. ACC930 (sold separately) is required to attach speaker mount to corner mount.

Using hole pattern shown below, attach speaker mount to interface plate (A) using two screws and two washers through the front and two nuts through the rear. **NOTE:** Fasteners not included for installing speaker mount.



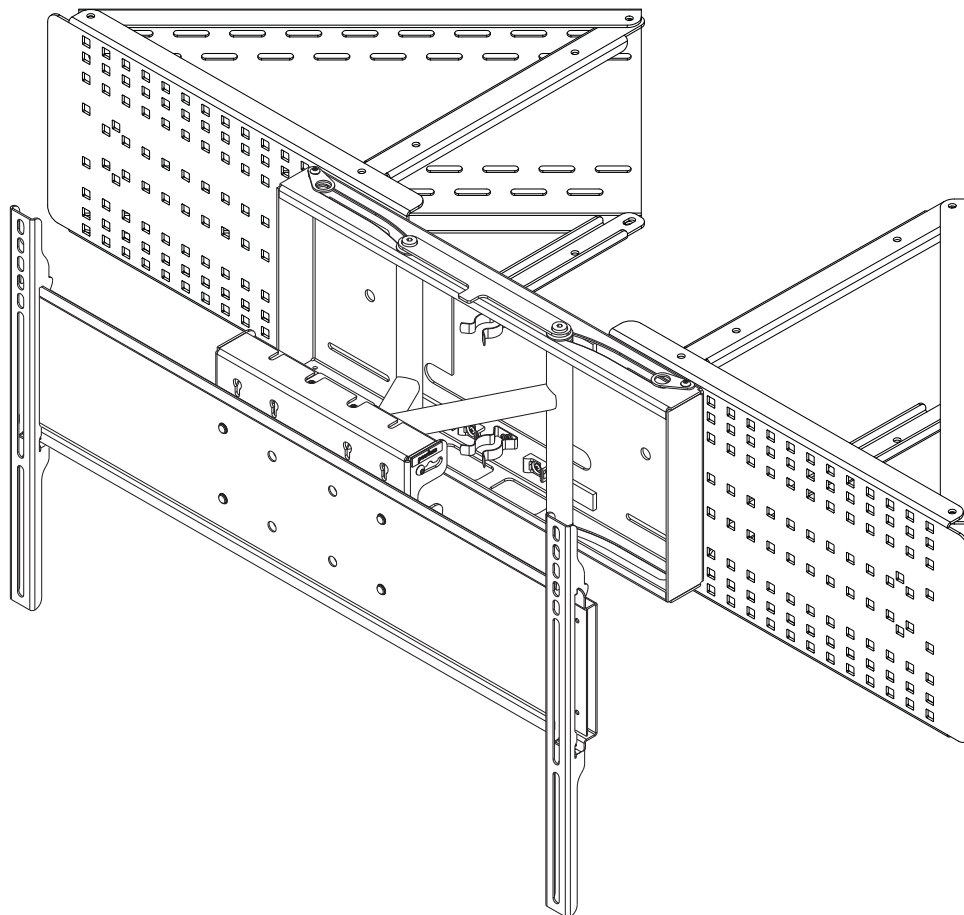


Instalación y ensamblaje:

Soporte de esquina para pantallas planas de plasma de 32" – 60"

Modelo: CM850, CM850-S

Máxima capacidad de carga: 150 lb (68 kg)



CARACTERÍSTICAS

- Permite que la pantalla se acomode en una esquina, donde el espacio es limitado
- Incluye soporte giratorio desplegable SP850-UNL SmartMount®
- Los brazos expandibles acomodan varios tamaños de pantallas sin la necesidad de ajustar la posición del soporte de pared
- Se extiende hasta 10.75"
- Giro desplegable con hasta 90° de rotación
- Inclinación tratable de 0°, 5° o 10°
- Repisa de accesorios disponible para componentes de A/V (se vende por separado)
- Se instala en montantes de madera, concreto, bloques de hormigón de escorias

Nota: Lea la hoja de instrucciones completa antes de comenzar la instalación y el ensamblaje.

▲ ADVERTENCIA

- No comience a instalar su producto de Peerless hasta haber leído y entendido las instrucciones y las advertencias contenidas en la Hoja de Instalación. Si tiene alguna pregunta acerca de cualquiera de las instrucciones o las advertencias, por favor, llame a Servicio al Cliente de Peerless al 1-800-865-2112 si está en EE. UU. Si es un cliente internacional, por favor, comuníquese con su distribuidor local.
- Este producto sólo debe ser instalado por una persona que tenga una buena aptitud mecánica, que tenga experiencia en construcción básica de edificios y que entienda estas instrucciones en su totalidad.
- Asegúrese de que la superficie de apoyo sostendrá, con seguridad, la carga combinada del equipo y todos los fijadores y componentes.
- Nunca sobrepase la capacidad máxima de soportar carga aceptada por Underwriters Laboratories. Vea la página 17.
- Si va a instalar el producto en una pared con montantes de madera, asegúrese de que los tornillos de montaje estén anclados en el centro de los montantes. Se recomienda utilizar un localizador de montantes de "borde a borde".
- Siempre cuente con la ayuda de un asistente o utilice un equipo mecánico de izar para levantar y colocar el equipo con más seguridad.
- Apriete los tornillos con firmeza, pero no en exceso. Apretarlos en exceso puede dañar los artículos y puede disminuir significativamente su fuerza de fijación.
- Este producto está diseñado para uso en interiores solamente. Utilizar este producto en exteriores podría causar fallas del producto y lesiones a individuos.
- Este producto fue diseñado para ser instalado en paredes con la siguiente construcción solamente:

CONSTRUCCIÓN DE LA PARED

- Montante de madera
- Viga de madera
- Concreto macizo
- Bloque de hormigón de escorias
- Montante de metal
- Ladrillo
- ¿Otra superficie o no está seguro?

ACCESORIOS NECESARIOS

- Incluido
- Incluido
- Incluido
- Incluido
- Comuníquese con un profesional calificado
- Comuníquese con un profesional calificado
- Comuníquese con un profesional calificado

Herramientas necesarias para el ensamblaje

- localizador de montantes (se recomienda uno de "borde a borde")
- destornillador phillips
- taladro
- llave allen de 6 mm
- broca de 5/32" para paredes con montantes de madera
- broca de 1/4" para paredes de concreto y de bloque de hormigón de escorias
- nivel

Accesorios

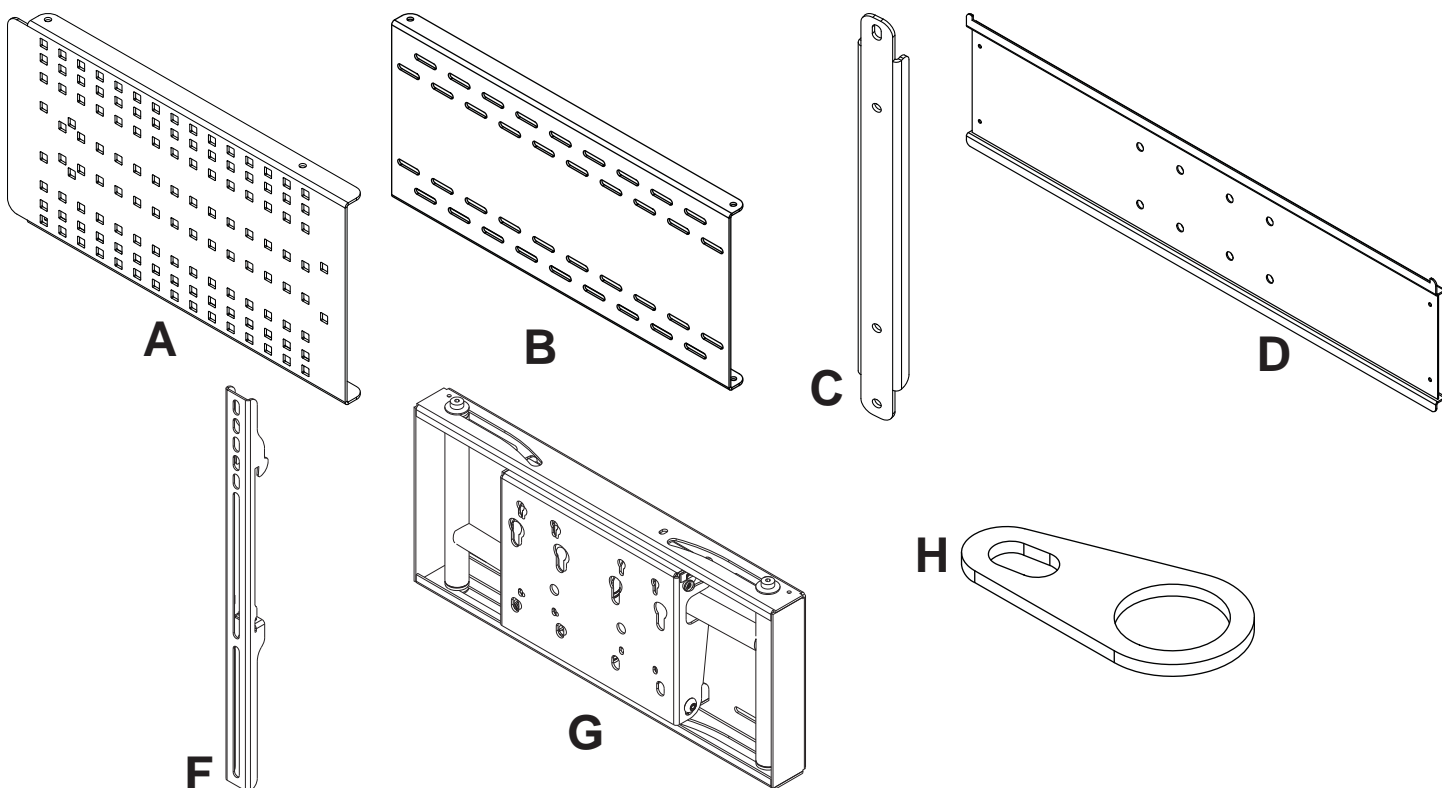
- ACC324(-S) - Unidad de repisa para el soporte de esquina
- ACC930 - Juego de sujetadores para los soportes para altavoces

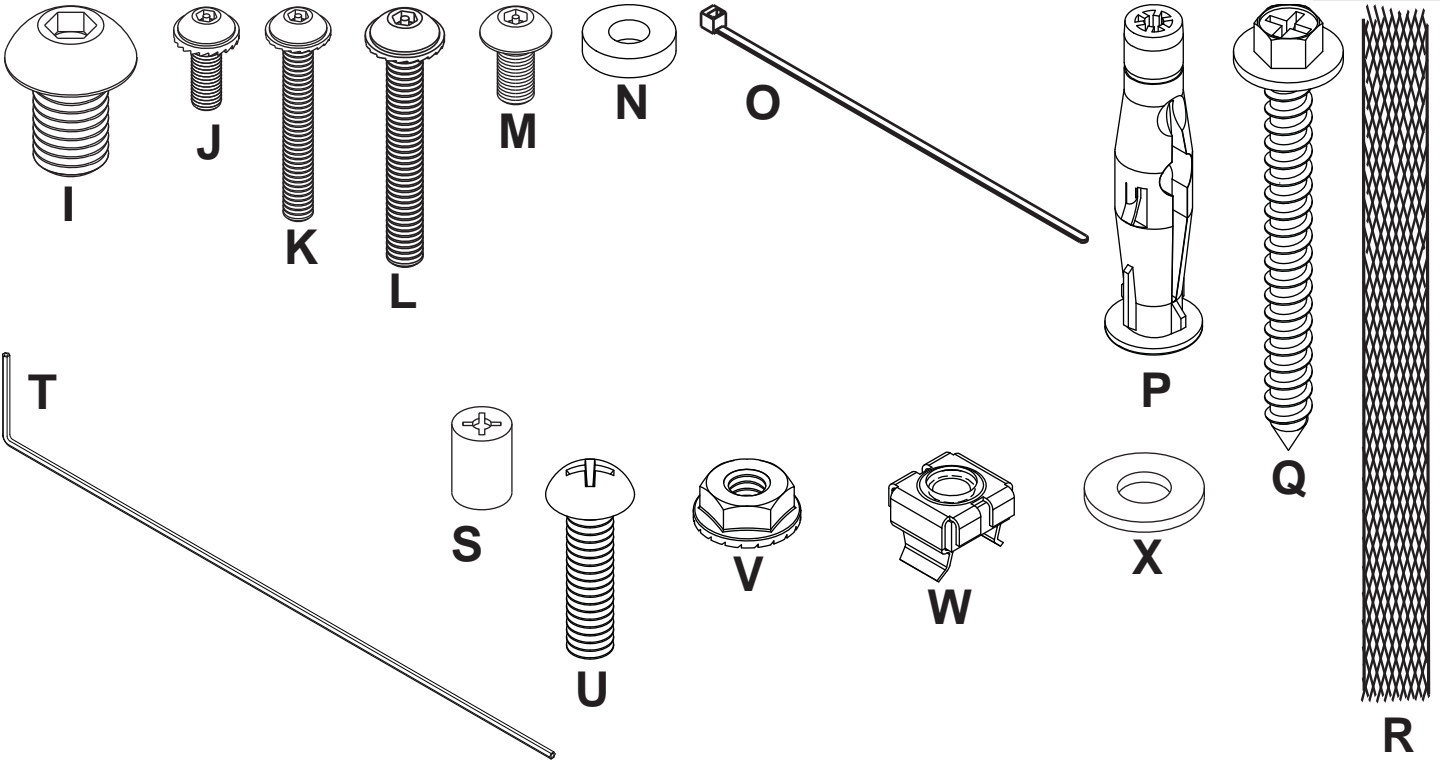
Tabla de contenido

Lista de piezas.....	19
Instalación en una esquina interior de una pared con montantes de madera.....	21
Instalación en una esquina exterior de una pared con montantes de madera.....	22
Instalación en una esquina interior de una pared concreto.....	23
Instalación en una esquina exterior de una pared concreto.....	24
Fijar la placa de interface	25
Instalación de los soportes adaptadores.....	28
Instalación de los soportes para altavoces.....	32

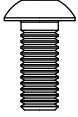

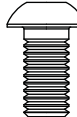
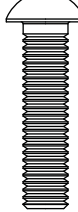


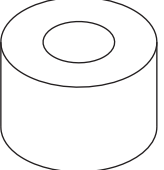
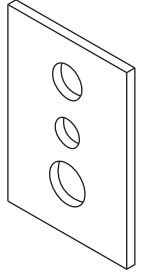
Antes de comenzar, asegúrese de que su producto contiene todas las piezas que se muestran.
Las piezas podrían verse ligeramente diferentes a las ilustradas.

Lista de piezas		N.º de	N.º de
Descripción	Cantidad	pieza negra	pieza plateada
A placa de interface	2	120-1075	120-4075
B placa de pared	2	120-1076	120-4076
C soportes sostenedores	4	120-1077	120-4077
D placa adaptadora	1	201-1110	201-4110
F soporte adaptador de poca profundidad	2	201-1511	201-4511
G unidad del soporte de pared	1	201-0385	201-0383
H lengüeta fijadora	1	200-1871	200-4871
I tornillo de cabeza hueca redonda M10 x 15 mm	4	520-9262	520-9262
J tornillos pasadores de cabeza hueca con arandela dentada de M4 x 12 mm	4	510-1079	510-1079
K tornillos pasadores de cabeza hueca con arandela dentada de M4 x 20 mm	4	510-1061	510-1061
L tornillos pasadores de cabeza hueca con arandela dentada de M5 x 40 mm	1	510-1001	510-1001
M tornillo pasador de cabeza hueca de M5 x 10 mm	5	520-1063	520-1063
N espaciador de .125"	1	540-1032	540-1032
O sujetacables	4	560-9711	560-9711
P Anclajes para concreto	8	590-0320	590-0320
Q tornillos para madera de 14 x 2.5"	8	5S1-015-C03	5S1-015-C03
R funda de malla de poliéster de 18"	2	600-1014	600-1014
S espaciador de retención de .437"	4	590-5005	590-5005
T llave allen de seguridad de 4 mm	1	560-1146	560-1146
U tornillo phillips de cabeza redonda de 1/4-20 x 1"	24	510-9110	510-9110
V contratuerca dentada bridada de 1/4-20	16	530-1021	530-1021
W tuerca en jaula de Tinnerman® 1/4-20	12	530-2050	530-2050
X arandela plana de 1/4"	24	540-9440	540-9440





Fijaciones de seguridad para los soportes adaptadores

							
M5 x 12mm (4) (520-1064)	M5 x 25mm (4) (520-1122)	M6 x 12mm (4) (520-1050)	M6 x 25mm (4) (520-1211)	M8 x 12mm (4) (520-1724)	M8 x 25mm (4) (520-1101)	.75" espaciador (4) (540-1059)	arandela múltiple (4) (580-1398)

Instalación en una esquina interior de una pared con montantes de madera

⚠ ADVERTENCIA

- El instalador tiene que asegurarse de que la superficie de apoyo sostendrá, con seguridad, la carga combinada del equipo y todos los fijadores y componentes.
- Apriete los tornillos de madera de manera que la placa de pared se fije firmemente, pero no en exceso. Apretar los en exceso puede dañar los tornillos y puede disminuir significativamente su fuerza de fijación.
- Nunca apriete a más de 80 pulg-lb (9 N•m).
- Asegúrese de que los tornillos de montaje estén anclados en el centro del montante. Se recomienda utilizar un localizador de montantes de "borde a borde".
- Los accesorios para la instalación que se proveen son para fijar el soporte a montantes de madera a través de tabique de yeso-cartón o yeso de espesor estándar. Los instaladores son responsables de suministrar los accesorios necesarios para otros tipos de instalaciones.

1 Las placas de pared (**B**) se pueden instalar en un montante o en dos montantes que tengan una separación de 16". Utilice un localizador de montantes para localizar los bordes de los montantes. Se recomienda utilizar un localizador de montantes de "borde a borde". Tomando los bordes como punto de referencia, trace una línea vertical por el centro de cada montante en ambas paredes. **NOTA:** Es posible que no se pueda realizar la instalación en dos montantes, dependiendo de la ubicación de los montantes en las esquinas de las paredes. Determine la distancia desde la esquina de la pared hasta el borde interior de las placas de pared (**B**) utilizando la ecuación que aparece abajo y el detalle 1 para conocer la distancia "X". **NOTA:** Si va a instalar soportes para altavoces a los lados del soporte de esquina, la pantalla no puede medir más de 40". Vea la página 32 para saber cómo se instalan los altavoces.

Mida la distancia "X" desde la esquina de la pared y marque la ubicación del borde interior de la placa de pared. Las ranuras de montaje superiores de la placa de pared deben estar ubicadas a 3.44" (87 mm) encima del punto donde quiere que quede el centro de la pantalla, como se muestra en la figura 1.1. Nivele la placa de pared, alinéela en la ubicación que marcó del borde interior de la placa de pared y marque las cuatro ranuras alineadas en el centro de los montantes. Haga lo mismo con la placa de pared opuesta. Taladre agujeros de 5/32" (4 mm) de diámetro a una profundidad mínima de 2.5" (64 mm). Asegúrese de que las placas de pared estén niveladas y fíjelas usando los tornillos para madera de 14 x 2.5" (**Q**).

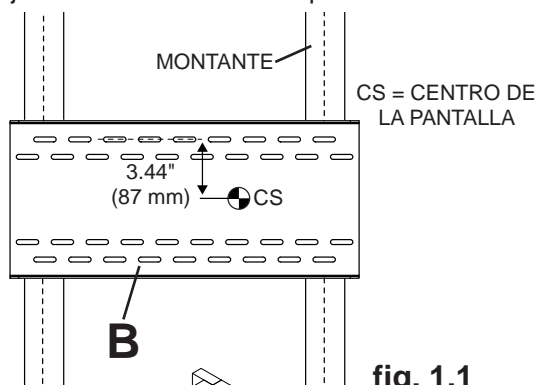


fig. 1.1

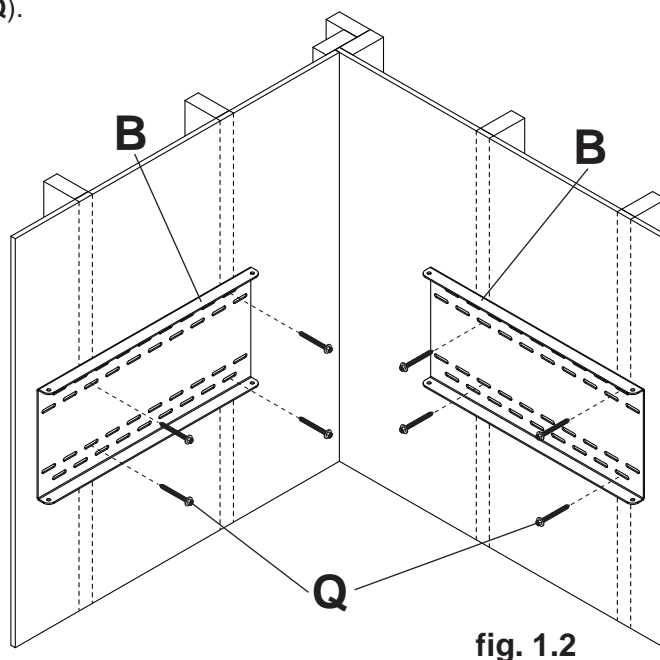
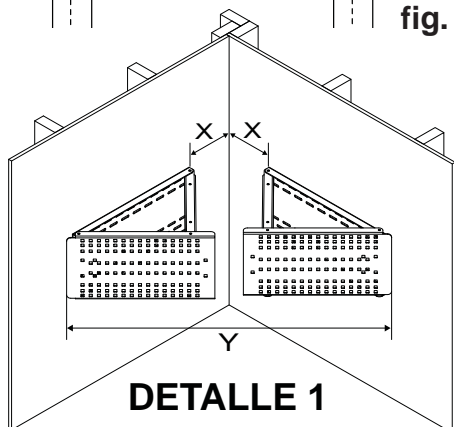


fig. 1.2



$$"X" = \frac{Y}{1.414} - 21.216$$

Instalación en una esquina exterior de una pared con montantes de madera

⚠ ADVERTENCIA

- El instalador tiene que asegurarse de que la superficie de apoyo sostendrá, con seguridad, la carga combinada del equipo y todos los fijadores y componentes.
- Apriete los tornillos de madera de manera que la placa de pared se fije firmemente, pero no en exceso. Apretar los en exceso puede dañar los tornillos y puede disminuir significativamente su fuerza de fijación.
- Nunca apriete a más de 80 pulg-lb (9 N•m).
- Asegúrese de que los tornillos de montaje estén anclados en el centro del montante. Se recomienda utilizar un localizador de montantes de "borde a borde".
- Los accesorios para la instalación que se proveen son para fijar el soporte a montantes de madera a través de tabique de yeso-cartón o yeso de espesor estándar. Los instaladores son responsables de suministrar los accesorios necesarios para otros tipos de instalaciones.

- 1** Las placas de pared (**B**) se pueden instalar en un montante o en dos montantes que tengan una separación de 16". Utilice un localizador de montantes para localizar los bordes de los montantes. Se recomienda utilizar un localizador de montantes de "borde a borde". Tomando los bordes como punto de referencia, trace una línea vertical por el centro de cada montante en ambas paredes. **NOTA:** Es posible que no se pueda realizar la instalación en dos montantes, dependiendo de la ubicación de los montantes en las esquinas de las paredes. **NOTA:** Si va a instalar soportes para altavoces a los lados del soporte de esquina, la pantalla no puede medir más de 40". Vea la página 32 para saber cómo se instalan los altavoces. Mida una distancia de 1" (25 mm) desde la esquina de la pared y marque la ubicación del borde interior de la placa de pared. Las ranuras de montaje superiores de la placa de pared deben estar ubicadas a 3.44" (87 mm) encima del punto donde quiere que quede el centro de la pantalla, como se muestra en la figura 1.3. Nivele la placa de pared, alinéela en la ubicación que marcó del borde interior de la placa de pared y marque las cuatro ranuras alineadas en el centro de los montantes. Haga lo mismo con la placa de pared opuesta. Taladre agujeros de 5/32" (4 mm) de diámetro a una profundidad mínima de 2.5" (64 mm). Asegúrese de que las placas de pared estén niveladas y fíjelas usando los tornillos para madera de 14 x 2.5" (**Q**).

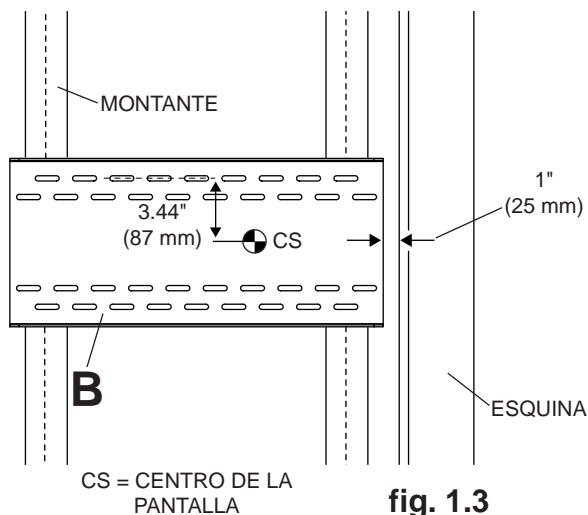


fig. 1.3

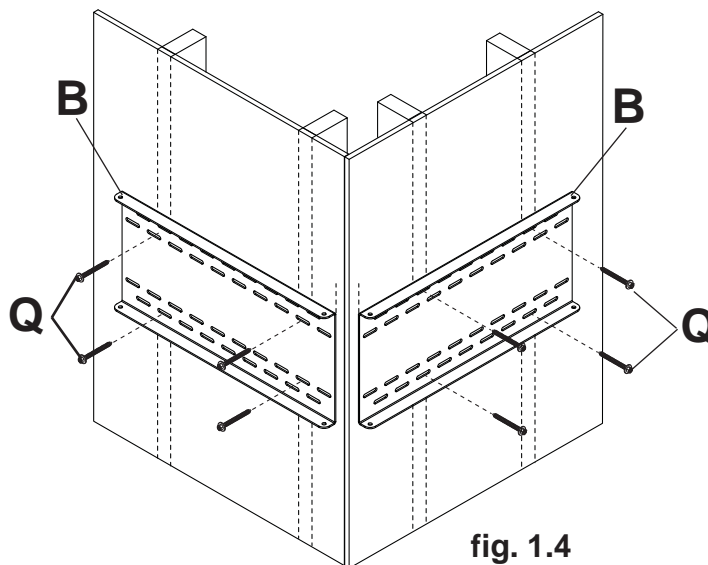


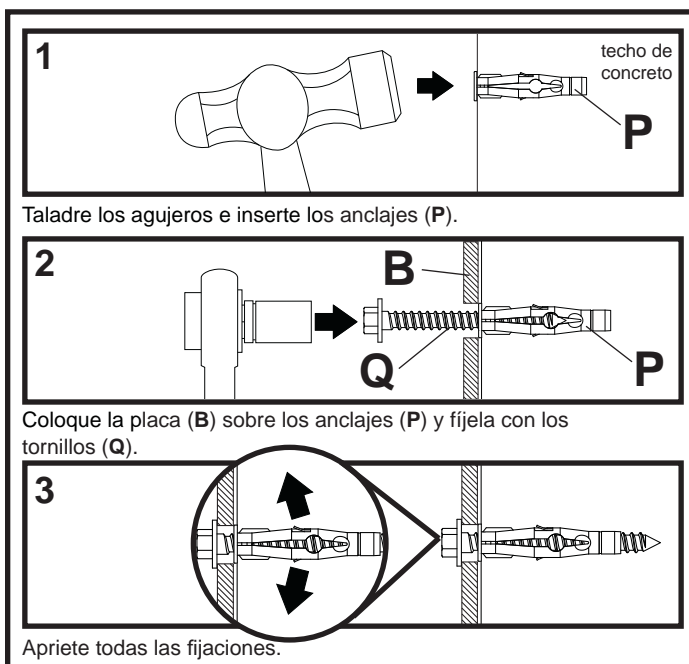
fig. 1.4

Instalación en una esquina interior de una pared concreto

⚠ AVERTENCIA

- Cuando vaya a instalar soportes de pared de Peerless en bloques de hormigón de escorias, asegúrese de que cuente con una capa de concreto de un grosor mínimo de 1-3/8" en el agujero, que pueda usar para los anclajes para concreto. ¡No taladre en juntas de argamasa! Asegúrese de hacer la instalación en la parte sólida del bloque, por lo general, a un mínimo de 1" del extremo del bloque. Los bloques de hormigón de escorias tienen que cumplir las especificaciones de la ASTM C-90. Se sugiere utilizar un taladro eléctrico convencional a baja velocidad para hacer el agujero en vez de un taladro percutor para no perforar el fondo del agujero al entrar en un vacío o una cavidad.
- El concreto tiene que tener una densidad mínima de 2,000 psi. Es posible que un concreto de menos densidad no sostenga el anclaje para concreto.
- Asegúrese de que la superficie de apoyo sostendrá, con seguridad, la carga combinada del equipo y todos los fijadores y componentes.

- 1** Determine la distancia desde la esquina de la pared hasta el borde interior de la placa de pared (**B**) utilizando la ecuación y el detalle 1 de la página 21 para conocer la distancia "X". **NOTA:** Si va a instalar soportes para altavoces a los lados del soporte de esquina, la pantalla no puede medir más de 40". Vea la página 32 para saber cómo se instalan los altavoces. Mida la distancia "X" desde la esquina de la pared y marque la ubicación del borde interior de la placa de pared. Las ranuras de montaje superiores de la placa de pared deben estar ubicadas a 3.44" (87 mm) encima del punto donde quiere que quede el centro de la pantalla, como se muestra en la figura 1.1 de la página 21. Nivele la placa (**B**), alinéela en la ubicación que marcó del borde interior de la placa de pared y marque las cuatro ranuras alineadas en el centro de los montantes. Haga lo mismo con la placa de pared opuesta. Taladre agujeros de 1/4" (6 mm) de diámetro a una profundidad mínima de 2.5" (64 mm). Inserte los anclajes (**P**) en los agujeros a ras con la pared, como se muestra (a la derecha). Coloque la placa de pared sobre los anclajes, asegúrese de que las placas de pared estén niveladas y fíjelas usando los tornillos para madera de 14 x 2.5" (**Q**).

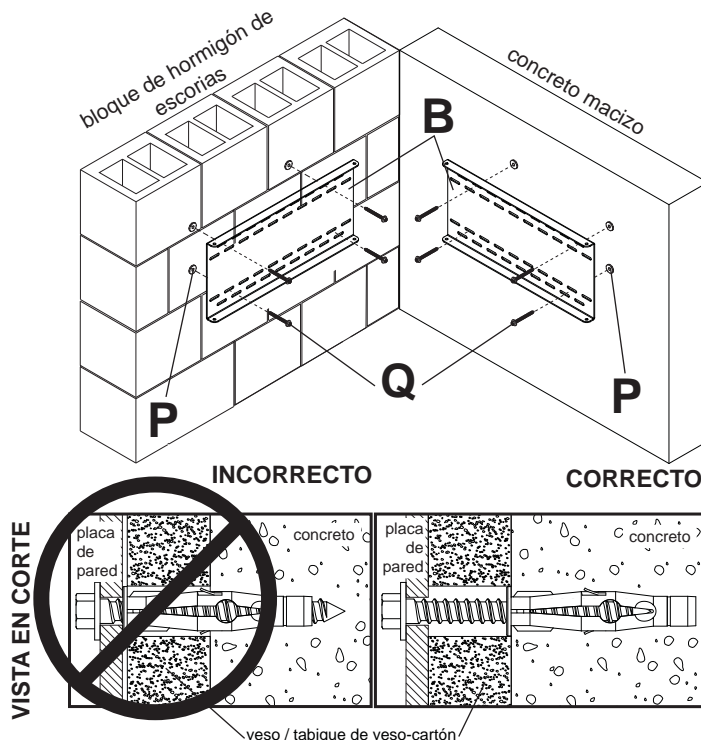


⚠ AVERTENCIA

- Apriete los tornillos de manera que la placa de pared se fije firmemente, pero no en exceso. Apretarlos en exceso puede dañar los tornillos y puede disminuir significativamente su fuerza de fijación.
- Nunca apriete a más de 80 pulg-lb (9 N•m).

⚠ AVERTENCIA

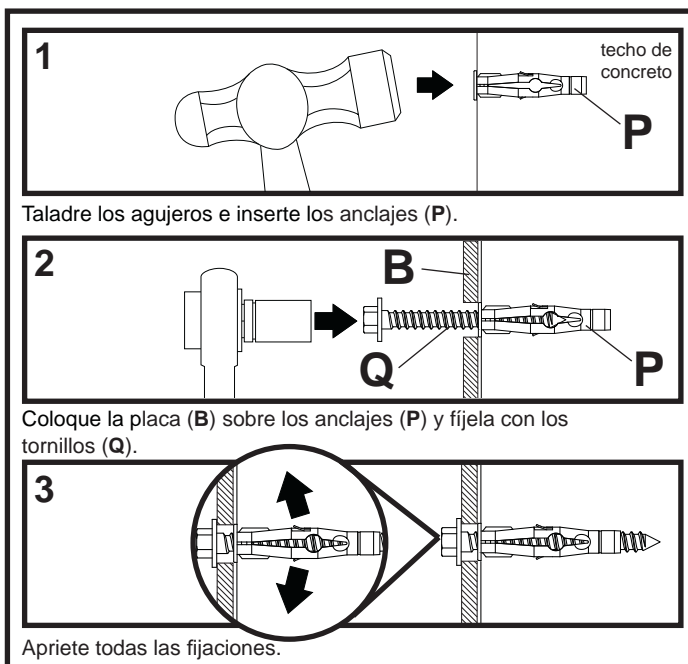
- Siempre fije los anclajes para concreto directamente en la pared que sostiene la carga.
- Nunca fije los anclajes para concreto a una pared de concreto recubierta con yeso, yeso-cartón u otro material de acabado. Si es inevitable hacer la instalación en una superficie de concreto recubierta con una superficie de acabado, la superficie de acabado tiene que ser escariada, como se muestra a la derecha. Asegúrese de que los anclajes para concreto no se separen del concreto cuando apriete los tornillos. Si la capa de yeso o de yeso-cartón tiene un grosor mayor que 5/8", el instalador tiene que suministrar las fijaciones especiales.



⚠ AVERTENCIA

- Cuando vaya a instalar soportes de pared de Peerless en bloques de hormigón de escorias, asegúrese de que cuente con una capa de concreto de un grosor mínimo de 1-3/8" en el agujero, que pueda usar para los anclajes para concreto. ¡No taladre en juntas de argamasas! Asegúrese de hacer la instalación en la parte sólida del bloque, por lo general, a un mínimo de 1" del extremo del bloque. Los bloques de hormigón de escorias tienen que cumplir las especificaciones de la ASTM C-90. Se sugiere utilizar un taladro eléctrico convencional a baja velocidad para hacer el agujero en vez de un taladro percutor para no perforar el fondo del agujero al entrar en un vacío o una cavidad.
- El concreto tiene que tener una densidad mínima de 2,000 psi. Es posible que un concreto de menos densidad no sostenga el anclaje para concreto.
- Asegúrese de que la superficie de apoyo sostendrá, con seguridad, la carga combinada del equipo y todos los fijadores y componentes.

1 **NOTA:** Si va a instalar soportes para altavoces a los lados del soporte de esquina, la pantalla no puede medir más de 40". Vea la página 32 para saber cómo se instalan los altavoces. Mida una distancia de 1" (25 mm) desde la esquina de la pared y marque la ubicación del borde interior de la placa de pared. Las ranuras de montaje superiores de la placa de pared deben estar ubicadas a 3.44" (87 mm) encima del punto donde quiere que quede el centro de la pantalla, como se muestra en la figura 1.3 de la página 22. Nivele la placa (B), alinéela en la ubicación que marcó del borde interior de la placa de pared y marque las cuatro ranuras alineadas en el centro de los montantes. Haga lo mismo con la placa de pared opuesta. Taladre agujeros de 1/4" (6 mm) de diámetro a una profundidad mínima de 2.5" (64 mm). Inserte los anclajes (P) en los agujeros a ras con la pared, como se muestra (a la derecha). Coloque la placa de pared sobre los anclajes, asegúrese de que las placas de pared estén niveladas y fíjelas usando los tornillos para madera de 14 x 2.5" (Q).

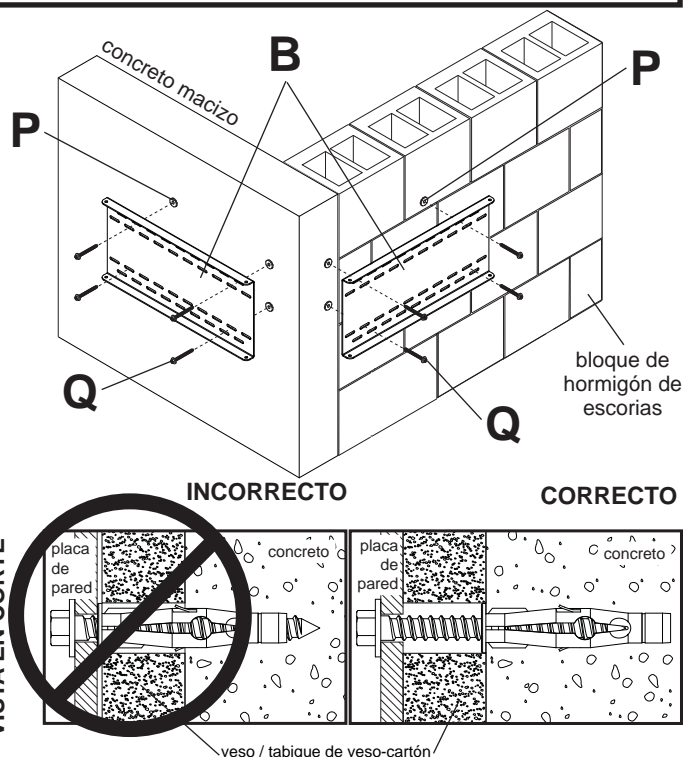


⚠ AVERTENCIA

- Apriete los tornillos de manera que la placa de pared se fije firmemente, pero no en exceso. Apretarlos en exceso puede dañar los tornillos y puede disminuir significativamente su fuerza de fijación.
- Nunca apriete a más de 80 pulg-lb (9 N•m).

⚠ AVERTENCIA

- Siempre fije los anclajes para concreto directamente en la pared que sostiene la carga.
- Nunca fije los anclajes para concreto a una pared de concreto recubierta con yeso, yeso-cartón u otro material de acabado. Si es inevitable hacer la instalación en una superficie de concreto recubierta con una superficie de acabado, la superficie de acabado tiene que ser escariada, como se muestra a la derecha. Asegúrese de que los anclajes para concreto no se separen del concreto cuando apriete los tornillos. Si la capa de yeso o de yeso-cartón tiene un grosor mayor que 5/8", el instalador tiene que suministrar las fijaciones especiales.



Attaching Interface Plate

- 2** Fije la placa de interface (A) a la placa de pared (B) usando un tornillo phillips de cabeza redonda de 1/4-20 x 1" (U), una arandela plana de 1/4" (X) y una contratuerca dentada bridada de 1/4-20 (V), como se muestra en la figura 2.1 o en la figura 2.2, si se trata de una esquina interior o como se muestra en la figura 2.3 o en la figura 2.4, si se trata de una esquina exterior. Haga lo mismo con la placa de interface opuesta.

NOTA: Asegúrese de que la pestaña superior de la placa de interface (A) descance sobre la pestaña superior de la placa de pared (B).

NOTA: No apriete los sujetadores al máximo.

ESQUINA INTERIOR IZQUIERDA

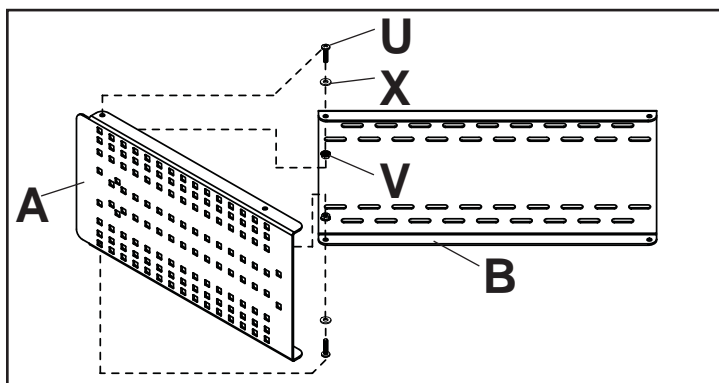


fig. 2.1

ESQUINA INTERIOR DERECHA

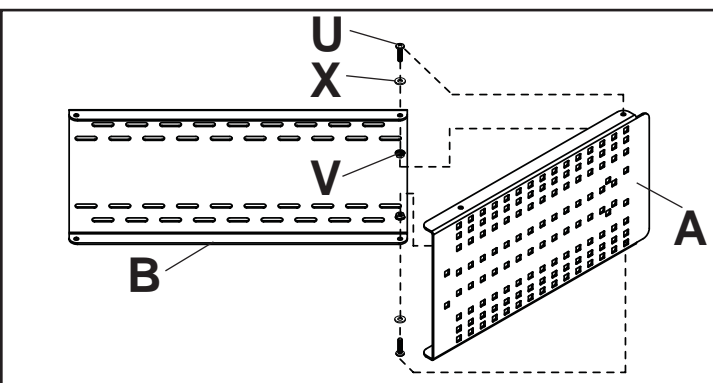


fig. 2.2

ESQUINA EXTERIOR IZQUIERDA

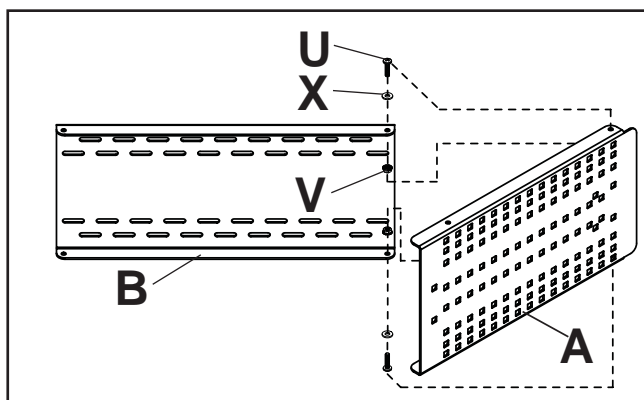


fig. 2.3

ESQUINA EXTERIOR DERECHA

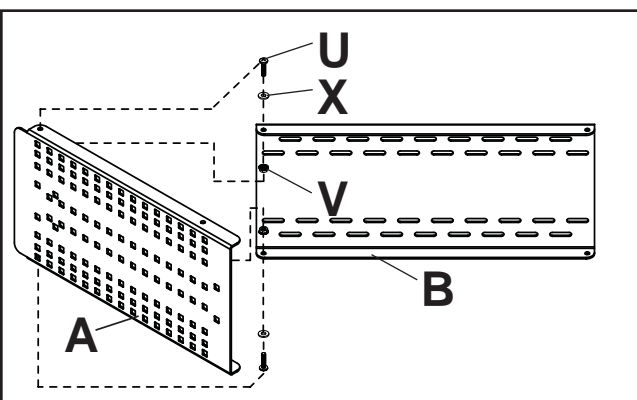
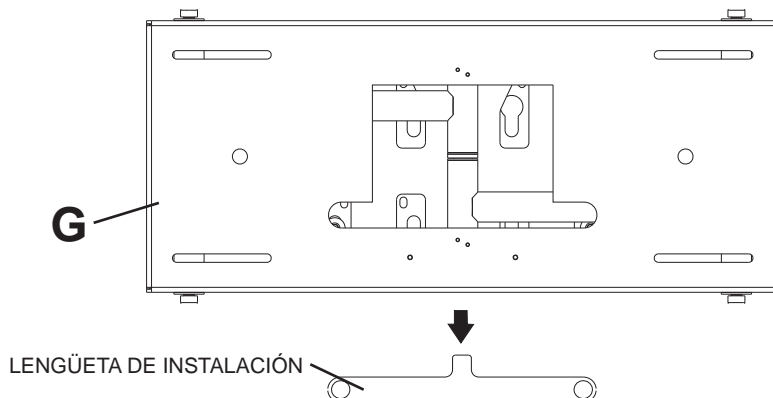


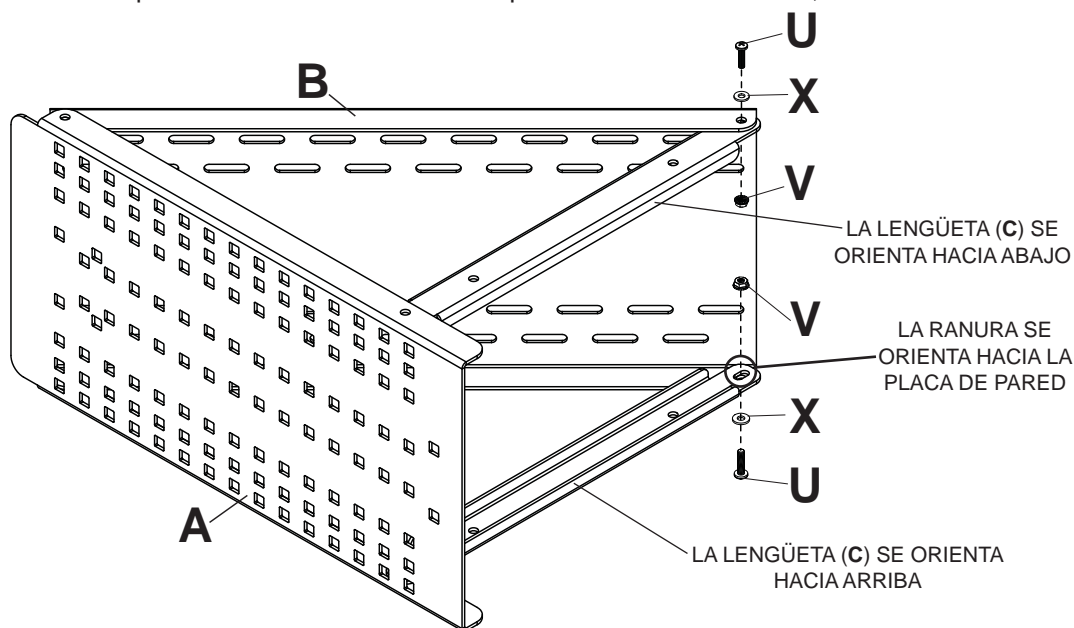
fig. 2.4

- 3** Deprenda la lengüeta de instalación de la unidad del soporte de pared (G).



- 4** Instale y fije dos soportes sostenedores (**C**) a la parte interior de placa de interface (**A**) y a la placa de pared (**B**) usando dos juegos de tornillos phillips de cabeza redonda de 1/4-20 x 1" (**U**), arandelas planas de 1/4" (**X**) y contratuercas dentadas bridadas de 1/4-20 (**V**). Haga lo mismo con la otra placa de interface y apriete todos los fijadores.

NOTA: Las lengüetas de los soportes sostenedores se tienen que orientar hacia adentro, como se muestra.



- 5-1** Alinee la unidad del soporte de pared (**G**) con las placas de interface (**A**) para señalar la ubicación de las tuercas en jaula (**W**), que se utilizan para fijar la unidad del soporte de pared (**G**) a las placas de interface. Instale las tuercas en jaula de la parte trasera de las placas de interface (**A**), como se muestra en la figura 5.1.

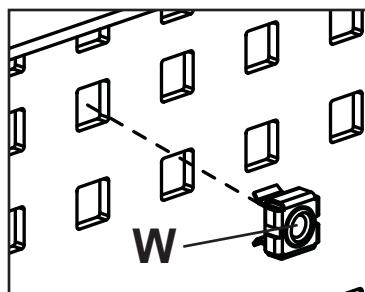


fig 5.1

- 5-2** Fije la unidad del soporte de pared (**G**) a las placas de interface (**A**) usando ocho tornillos phillips de cabeza redonda de 1/4-20 x 1" (**U**) y arandelas planas de 1/4" (**X**) por las ranuras en las tuercas en jaula, como se muestra en la figura 5.2.

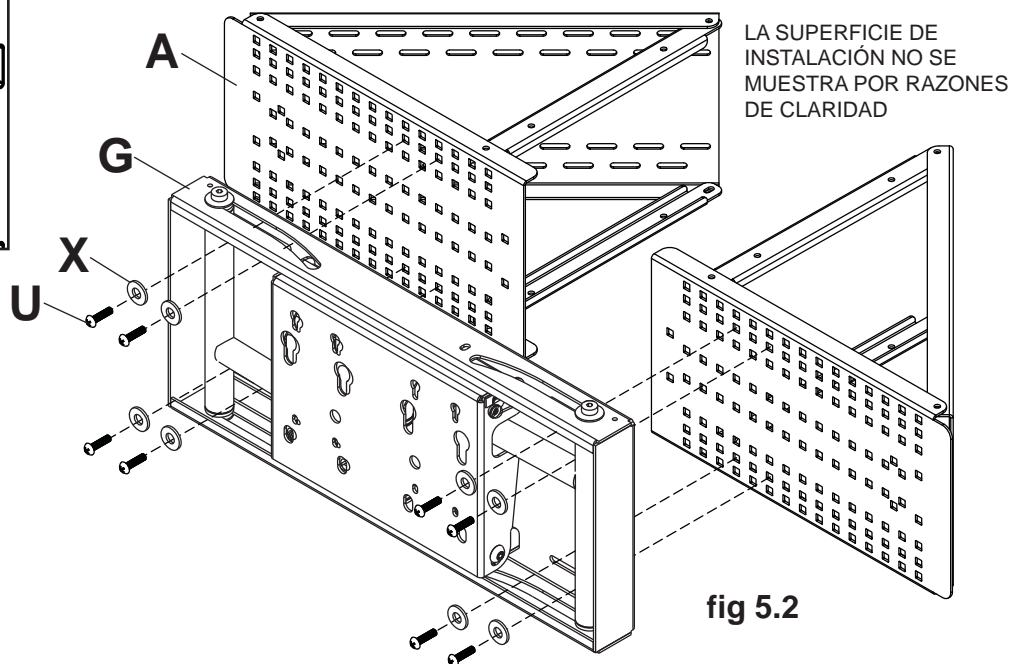
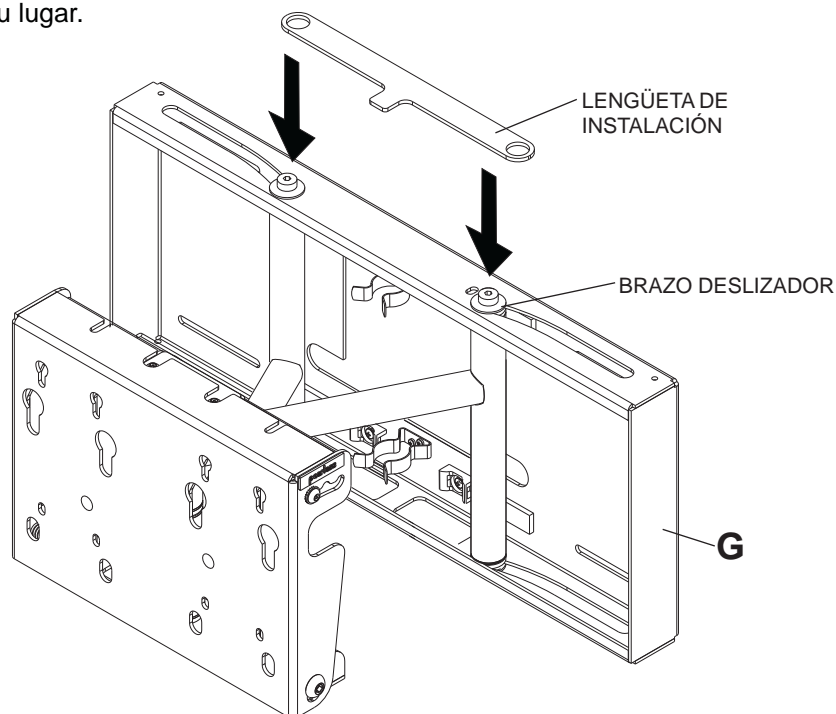


fig 5.2

- 6** Coloque la lengüeta de instalación sobre los brazos deslizadores de la unidad del soporte de pared (**G**) para trabarlos en su lugar.



- 7** Enrosque dos tornillos de M10 x 15 mm (**I**), dejando .25" de la rosca expuesta, en los agujeros superiores de la parte trasera de la placa adaptadora (**D**). Enganche la placa adaptadora (**D**) a la placa de montaje y fíjela usando dos tornillos de M10 x 15 mm (**I**), como se muestra en la figura 7.1 y en la figura 7.2. Apriete los tornillos utilizando una llave allen de 6 mm (no incluida).

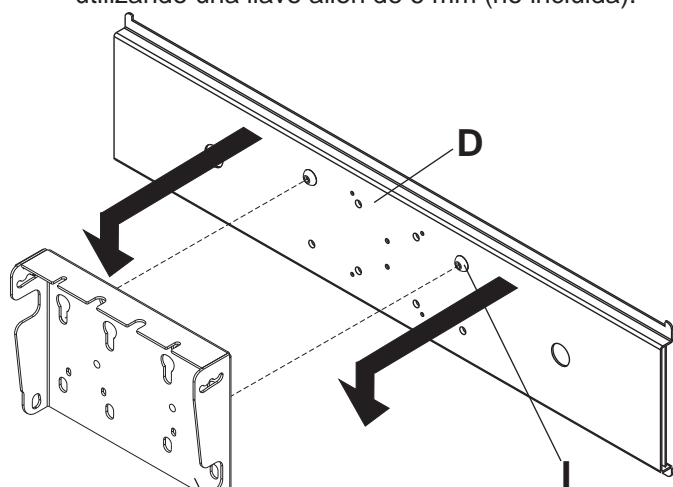


fig. 7.1

PLACA DE MONTAJE
(NOTA: LA PLACA DE MONTAJE SE MUESTRA SIN LA UNIDAD DEL SOPORTE DE PARED POR RAZONES DE CLARIDAD)

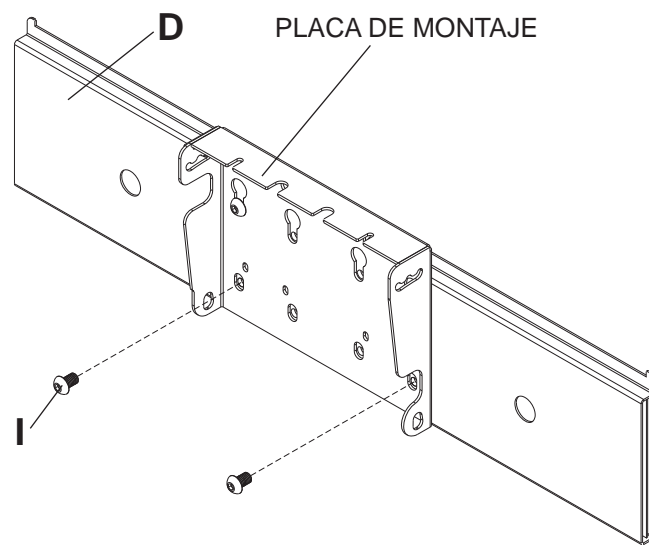


fig. 7.2

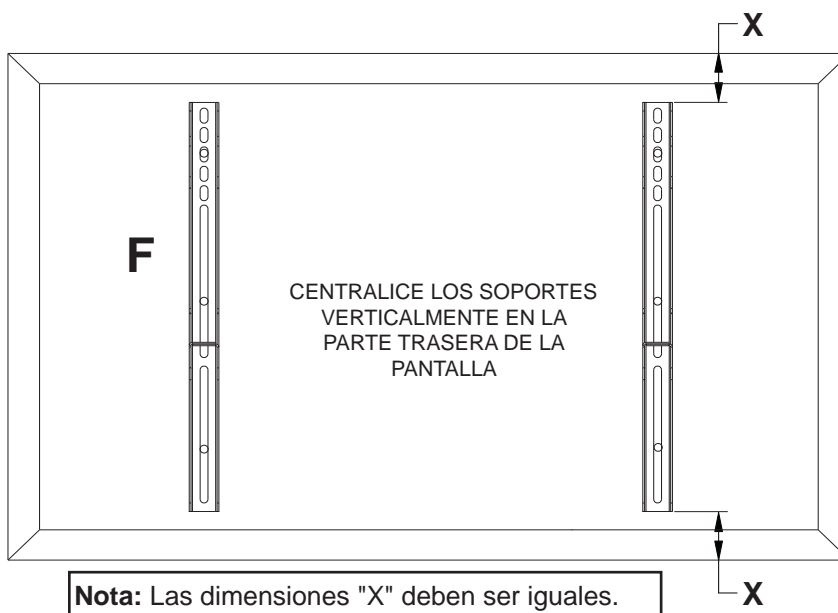
Instalación de los soportes adaptadores

⚠ ADVERTENCIA

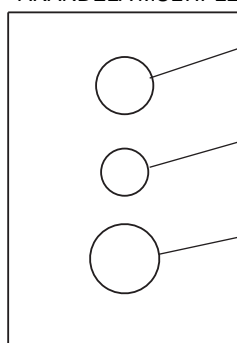
- Apriete los tornillos de tal modo que los soportes adaptadores queden firmemente sujetos. No apriete aplicando demasiada fuerza. El apriete excesivo puede causar daño por esfuerzo a los tornillos, reduciendo enormemente su fuerza de fijación y causando el posible desprendimiento de sus cabezas. Apriete los tornillos a 40 pulg-lb (4.5 N•m) de par torsor máximo.
- Si los tornillos no pueden atornillarse con tres vueltas completas en los insertos de la pantalla, o si los tornillos topan fondo y la placa todavía no está firmemente sujeta, se podría dañar la pantalla o causar la falla del producto.

- 8 Para no rayar la pantalla, coloque un trapo sobre una superficie plana y nivelada que sostenga el peso de la pantalla. Coloque la pantalla boca abajo. Si la pantalla tiene perillas en la parte trasera, quíteselas para poder fijar los soportes adaptadores. Coloque los soportes adaptadores (F) en la parte trasera de la pantalla, alinéelos con los agujeros y centralícelos en la parte trasera de la pantalla, como se muestra abajo. Fije los soportes adaptadores en la parte trasera de la pantalla utilizando la combinación adecuada de tornillos, arandelas múltiples y espaciadores, como se muestra en la figura 8.1 o en la figura 8.2.

NOTA: Siempre se tienen que usar los agujeros superiores y los inferiores. Verifique que todos los agujeros estén debidamente alineados y luego apriete los tornillos usando un destornillador phillips.



ARANDELA MÚLTIPLE



- AGUJERO MEDIANO PARA TORNILLOS M5
- AGUJERO PEQUEÑO PARA TORNILLOS M4
- AGUJERO GRANDE PARA TORNILLOS M6

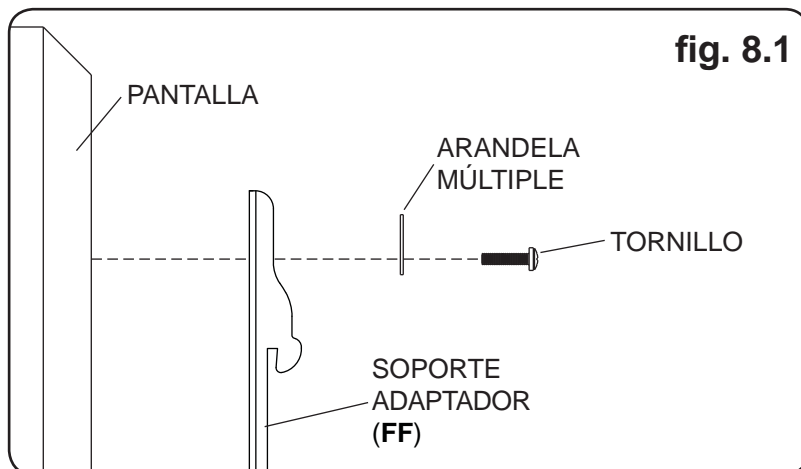
Notas:

- La cantidad de fijaciones utilizada variará según el tipo de pantalla.
- Es posible que no tenga que usar las arandelas múltiples y los espaciadores, dependiendo del tipo de pantalla.
- Use el agujero correspondiente en la arandela múltiple que coincida con el tamaño de su tornillo, como se muestra en la figura 2.2.

NOTA: En el caso de los televisores que tienen la **parte posterior plana**, pase al paso 8-1. En el caso de los televisores que tienen la **parte posterior abultada o empotrada**, pase al paso 8-2.

Instalación de un televisor que tiene la parte posterior plana

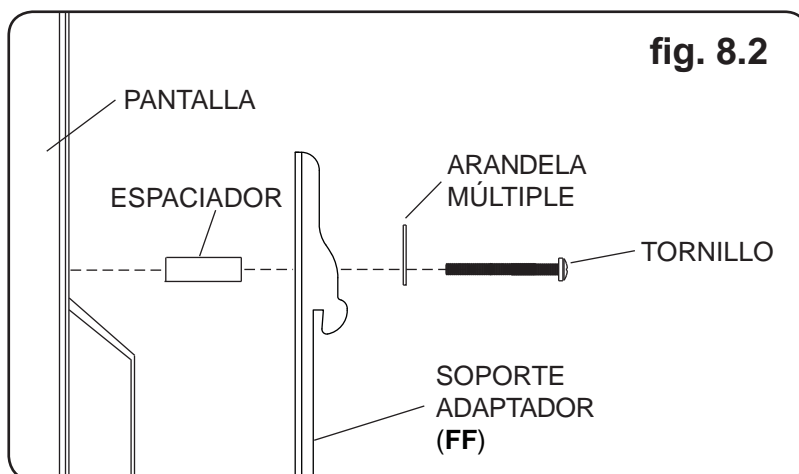
- 8-1** Comience con uno de los tornillos más cortos, enrósquelo, con la mano, a través de la arandela y el soporte adaptador a la parte posterior de la pantalla, como se muestra abajo. El tornillo tiene que dar, por lo menos, tres vueltas completas dentro del agujero de montaje y debe quedar ajustado en su lugar. No apriete los tornillos en exceso. Si el tornillo no puede dar tres vueltas completas al entrar en la parte posterior de la pantalla, seleccione un tornillo más largo de los sujetadores identificados y clasificados en las divisiones del empaque plástico. Siga el mismo procedimiento con los agujeros de instalación restantes, nivele los soportes y apriete los tornillos.
- NOTA:** Es posible que no necesite usar los espaciadores, dependiendo del tipo de pantalla.



Si tiene alguna pregunta, por favor, llame a servicio al cliente de Peerless al **1-800-865-2112**.

Instalación de un televisor que tiene la parte posterior abultada o empotrada

- 8-2** Comience con uno de los tornillos más largos, enrósquelo, con la mano, a través de la arandela, el soporte adaptador y el espaciador, en ese orden, a la parte posterior de la pantalla, como se muestra abajo. El tornillo tiene que dar, por lo menos, tres vueltas completas dentro del agujero de montaje y debe quedar ajustado en su lugar. No apriete los tornillos en exceso. Si el tornillo no puede dar tres vueltas completas al entrar en la parte posterior de la pantalla, seleccione un tornillo más largo de los sujetadores identificados y clasificados en las divisiones del empaque plástico. Siga el mismo procedimiento con los agujeros de instalación restantes, nivele los soportes y apriete los tornillos.



Si tiene alguna pregunta, por favor, llame a servicio al cliente de Peerless al **1-800-865-2112**.

⚠ ADVERTENCIA

- Siempre cuente con un asistente o con un equipo mecánico de izar para levantar y colocar el televisor de plasma con más seguridad.

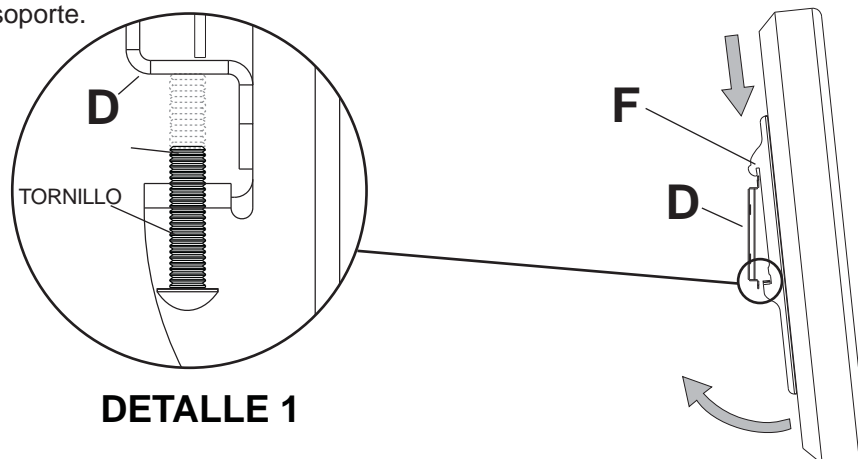
Instalación y desinstalación de la pantalla plana

- 9** Enganche los soportes adaptadores (F) a la placa adaptadora (D) y luego gire la pantalla lentamente hacia dentro, como se muestra. Déles, por lo menos seis vueltas a los tornillos en el sentido del movimiento de las manecillas del reloj para evitar que se pueda quitar la pantalla, como se muestra en el detalle 1. Apriete los tornillos utilizando una llave allen de seguridad de 4 mm (T).

La pantalla se puede ajustar horizontalmente si lo desea.

NOTA: Para trabar la pantalla, apriete los tornillos a la placa adaptadora, como se muestra en el detalle 1.

Para quitar la pantalla del soporte, afloje los tornillos, gire la pantalla retirándola del soporte y levántela para sacarla del soporte.



DETALLE 1

- 10** La pantalla se puede inclinar 5° o 10° hacia adelante.
NOTA: La pantalla tiene que estar fijada con seguridad a la placa de montaje con todos los sujetadores antes de ajustar la inclinación.

Para inclinar la pantalla 5° hacia adelante, levante la placa de montaje y tire de ella hacia el frente hasta que la muesca del medio descansa sobre el tornillo de M6, como se muestra en la figura 10.1. Apriete el tornillo de M6 (ambos lados) y los tornillos de M10 (ambos lados).

Para inclinar la pantalla 10° hacia adelante, levante la placa de montaje y tire de ella hacia el frente hasta que la muesca de atrás descansa sobre el tornillo de M6, como se muestra en la figura 10.2. Apriete el tornillo de M6 (ambos lados) y los tornillos de M10 (ambos lados).

NOTA: Si se trata de un modelo de seguridad, apriete el tornillo de M6 utilizando una llave allen de seguridad (T). Apriete los tornillos de M10 usando una llave allen de 6 mm (no incluida).

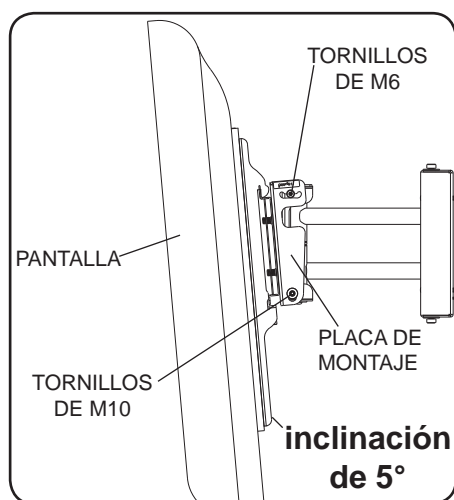


fig. 10.1

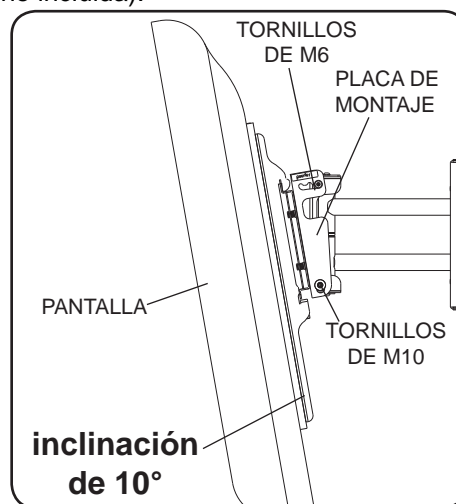
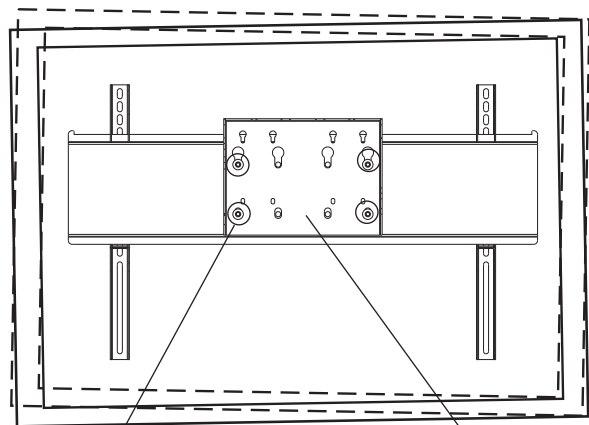


fig. 10.2

- 11** La rotación se puede ajustar 1° en el sentido del movimiento de las manecillas del reloj o en el sentido contrario.
Para ajustar la rotación, afloje los tornillos de M10 x 15 mm (I) un poco, pero que queden ajustados. Nivele la pantalla y los soportes adaptadores y apriete los tornillos (I).
NOTA: Al ajustar la rotación, los tornillos se deben apretar de nuevo como se indica en el paso 8.



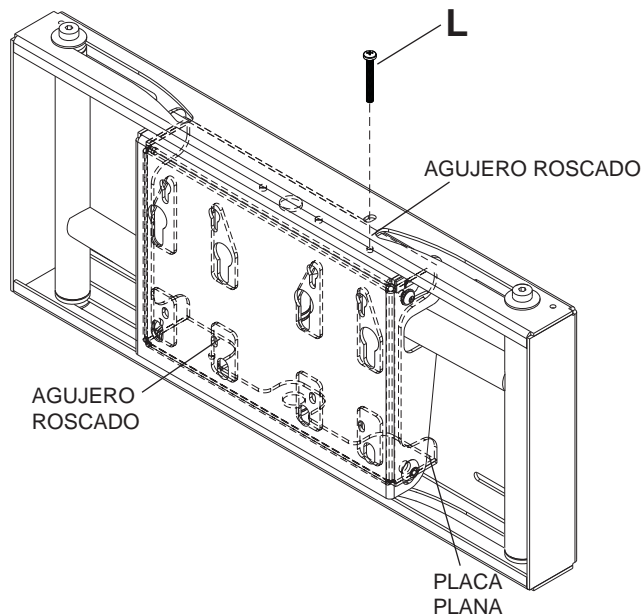
TORNILLOS DE
M10 x 15 MM (I)

NOTA: LA PLACA DE MONTAJE SE
MUESTRA SIN LA UNIDAD
DEL SOPORTE DE PARED
POR RAZONES DE CLARIDAD

VISTA POSTERIOR

- 12 Opcional:** Para trabar el soporte en la posición cerrada, inserte un tornillo de M5 x 40 mm (L) en el agujero roscado, ya sea en la parte superior o en la parte inferior de la placa plana.

NOTA: La unidad / pantalla no se muestra por razones de claridad.



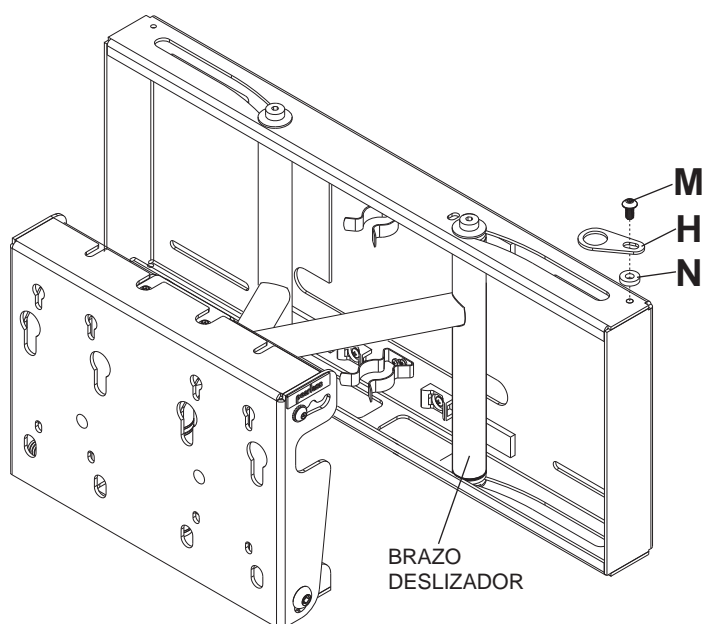
AGUJERO
ROSCADO

AGUJERO ROSCADO

PLACA
PLANA

- 13 Opcional:** Para trabar uno de los brazos deslizador del soporte, deslice la lengüeta fijadora (H) por encima o por debajo del brazo deslizador y fijela al soporte usando un tornillo de M5 x 10 mm (M) y un espaciador (N).

NOTA: La unidad / pantalla no se muestra por razones de claridad.

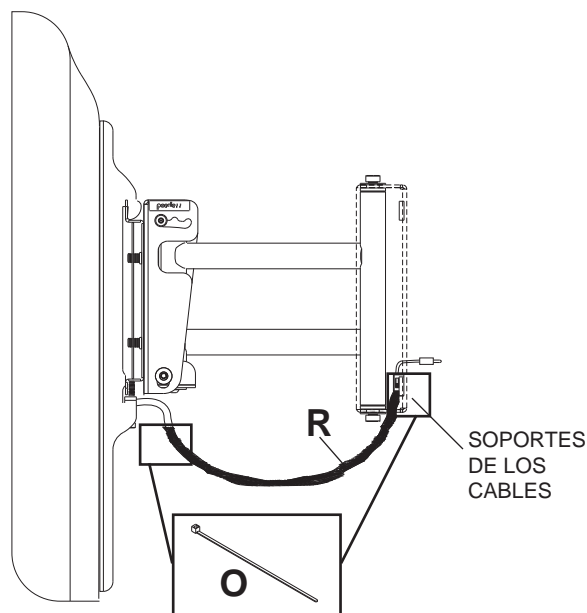


BRAZO
DESLIZADOR

M
H
N

- 14** Deslice una funda de malla (R) sobre cada cable. Use los sujetacables (O) para amarrar ambos extremos de la funda de malla a los cables.

NOTA: Pase los sujetacables por los soportes de los cables y amarre los cables y la funda de malla a los soportes de los cables.



SOPORTES
DE LOS
CABLES

O

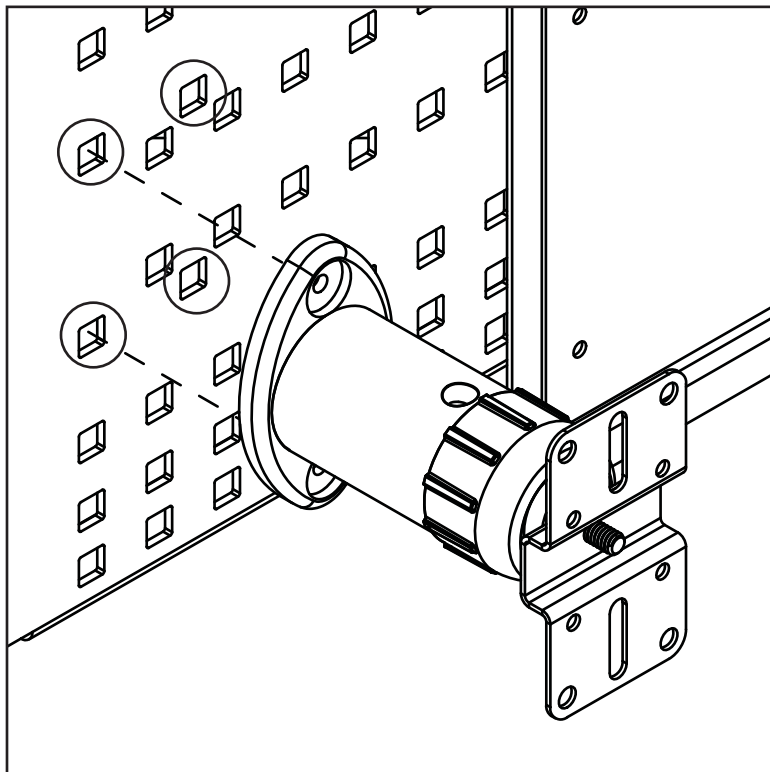
Instalación de los soportes para altavoces (opcional)

15

NOTA: Es posible que se vea el soporte de esquina si la pantalla es pequeña.

NOTA: Los soportes para altavoces (vendidos por separado) pueden verse un poco distintos a la ilustración. Se necesita el juego ACC930 (vendido por separado) para fijar los soportes para altavoces al soporte de esquina.

Siguiendo la configuración de montaje que se muestra abajo, fije el soporte para altavoces a la placa de interface (A) usando dos tornillos y dos arandelas por la parte delantera y dos tuercas por la parte trasera. **NOTA:** No se incluyen los sujetadores para instalar los soportes para altavoces.



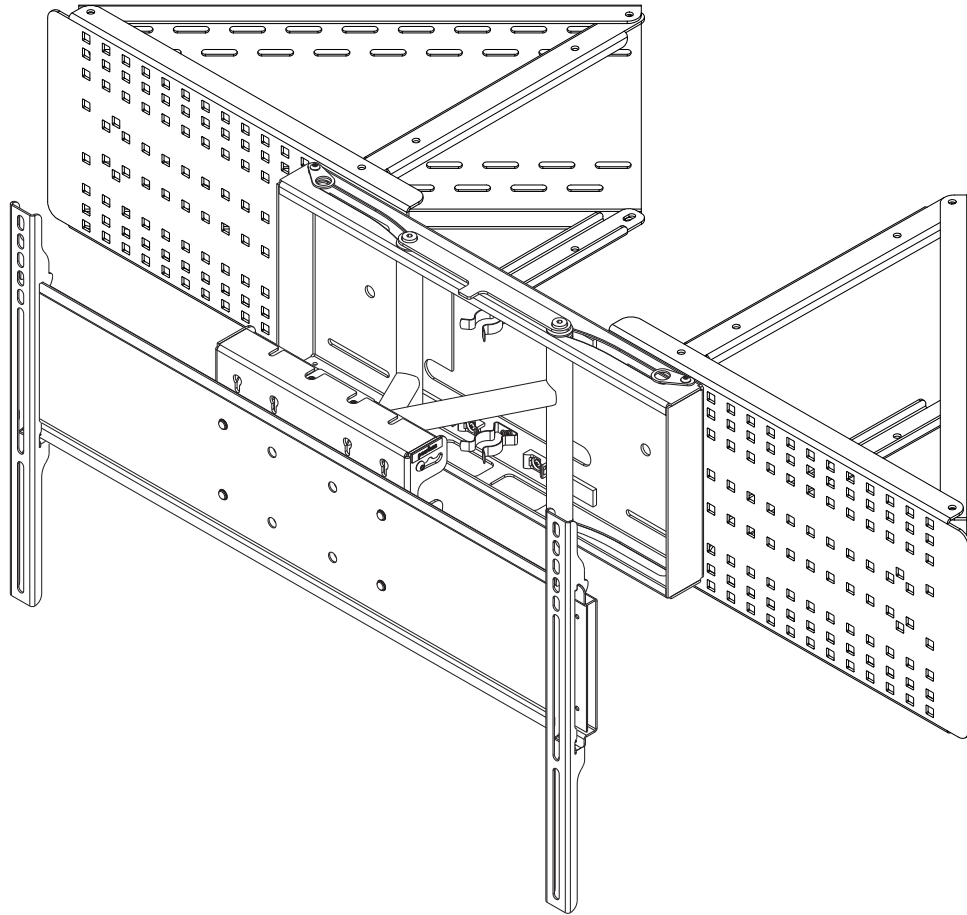
peerless-AV[®]

Installation et montage:

Support d'encoignure pour écran plat, pour écrans ACL et plasma de 32 à to 60 po

Modèle: CM850, CM850-S

Capacité de charge maximale établie: 150 lb (68 kg)



CARACTÉRISTIQUES

- Permet d'installer l'écran dans un coin lorsque l'espace est limité
- Comprend le support extensible et pivotant SmartMount® SP850-UNL
- Les bras extensibles conviennent à plusieurs tailles d'écrans sans devoir régler la position du support mural
- S'allonge sur une distance de 10,75 po
- Extensible et pivotant avec une rotation de 90°
- Inclinaison verrouillable à un angle de 0°, 5° ou 10°
- Étagère pour accessoires disponible pour les composants audio-vidéo (vendue séparément)
- S'installe sur des montants en bois, du béton ou du bloc de béton

Remarque : lisez entièrement la fiche d'instructions avant de commencer l'installation et l'assemblage.

▲ AVERTISSEMENT

- Ne commencez pas à installer votre produit Peerless avant d'avoir lu et assimilé les instructions et les avertissements contenus dans cette fiche d'installation. Pour toute question concernant les instructions ou les avertissements, veuillez appeler le service à la clientèle de Peerless au 1-800-865-2112; tous les clients internationaux sont priés de contacter leur distributeur local.
- Ce produit doit être installé uniquement par quelqu'un possédant une bonne aptitude à la mécanique, une expérience de la construction immobilière et ayant bien compris ces instructions.
- Assurez-vous que la surface de support puisse soutenir sans danger la charge totale de l'équipement ainsi que des pièces et composants qui y sont attachés.
- Ne dépassez jamais la capacité de charge maximum établie par l'UL. Reportez-vous à la page 33.
- Lors d'une installation sur un mur à montants en bois, assurez-vous que les vis de montage sont ancrées au centre des montants. L'utilisation d'un localisateur de montants « bord à bord » est fortement recommandée.
- Pour lever et positionner l'équipement en toute sécurité, faites-vous toujours aider par une autre personne ou utilisez un dispositif de levage mécanique.
- Serrez fermement les vis, mais sans excès. Un serrage excessif peut endommager les composants et en réduire considérablement la capacité de support.
- Ce produit est conçu uniquement pour un usage intérieur. L'utilisation de ce produit à l'extérieur peut causer une défaillance du produit et des blessures corporelles.
- Ce produit a été conçu uniquement pour une installation sur les types de murs ci-dessous :

TYPE DE MUR	PIÈCES DE FIXATION REQUISES
• Montant en bois	Incluses
• Poutre en bois	Incluses
• Béton plein	Incluses
• Bloc de béton de mâchefer	Incluses
• Montant métallique	Contacteur un professionnel qualifié
• Brique	Contacteur un professionnel qualifié
• Autre, ou vous n'êtes pas sûr ?	Contacteur un professionnel qualifié

Outils nécessaires au montage

- localisateur de montants (un localisateur de montants « bord à bord » est recommandé)
- tournevis Phillips
- perceuse
- clé hexagonale de 6 mm
- foret de 5/32 po pour les murs à montants en bois
- foret de 1/4 po pour les murs en béton et en bloc de béton
- niveau

Accessorios

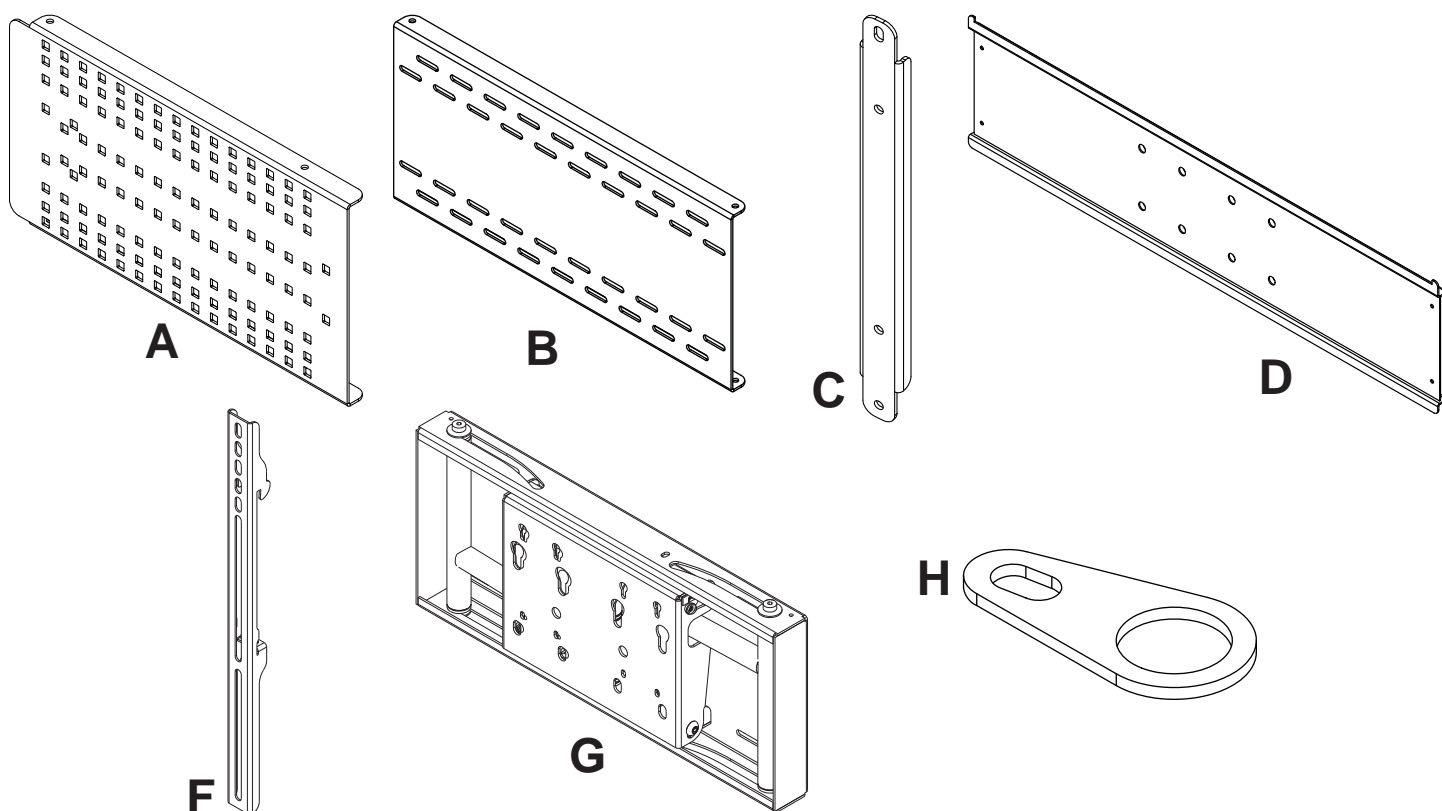
- ACC324(-S) – Étagère pour support d'encoignure
- ACC930 – Jeu de fixations pour supports de haut-parleurs

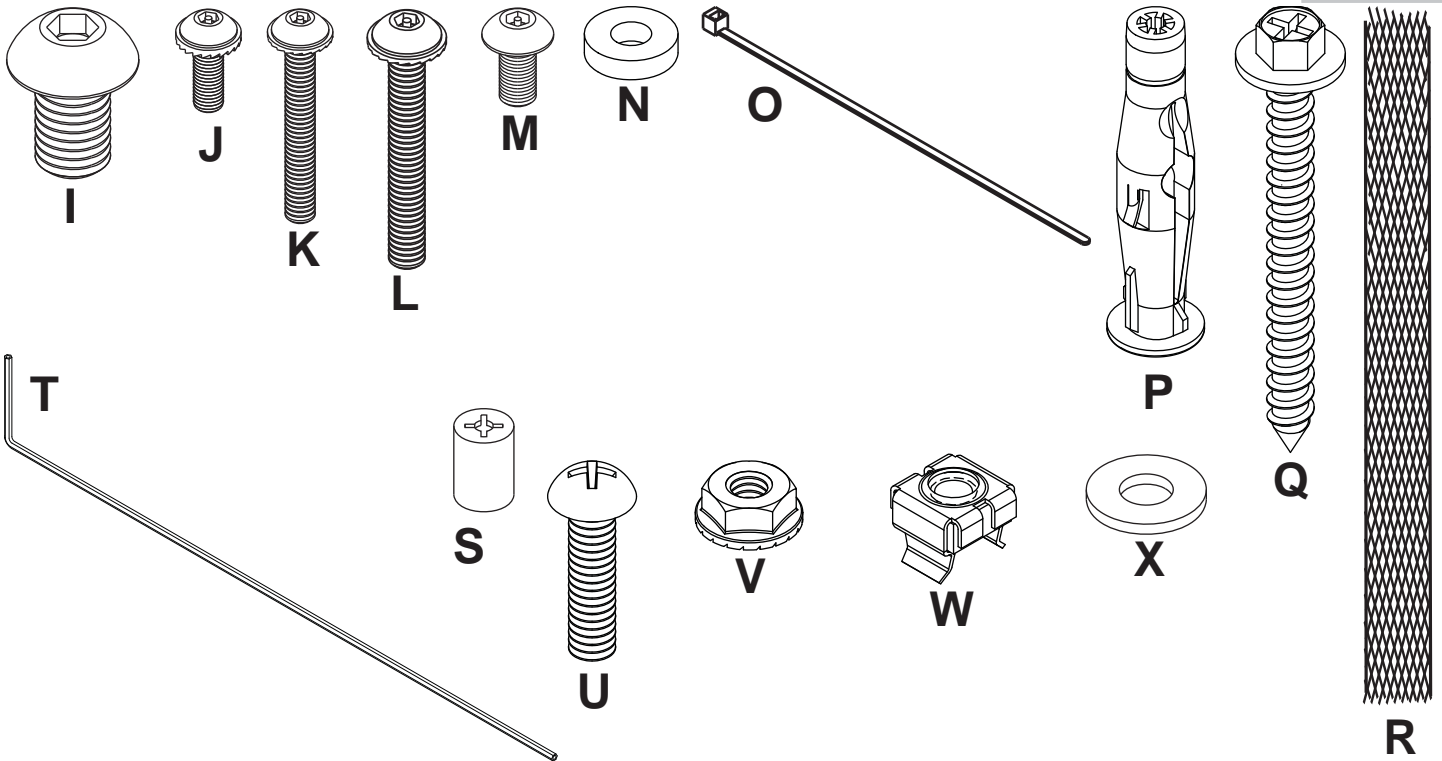
Table des matières

Liste des pièces.....	35
Installation au coin intérieur de murs à montants en bois	37
Installation au coin extérieur de murs à montants en bois	38
Installation au coin intérieur de murs en béton.....	39
Installation au coin extérieur de murs en béton.....	40
Fixation de la plaque d'interconnexion	41
Installation des supports adaptateurs.....	44
Installation des supports de haut-parleurs.....	48

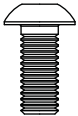
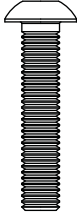
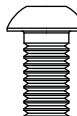

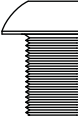

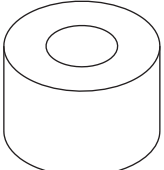
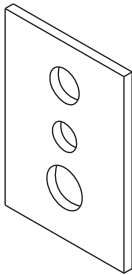
Avant de commencer, assurez-vous que toutes les pièces indiquées sont incluses avec le produit.
Il est possible que les pièces semblent légèrement différentes de l'illustration.

Liste des pièces			Référence des pièces noires	Référence des pièces argent
Descripción	Qté			
A plaque d'interconnexion	2	120-1075	120-4075	
B plaque murale	2	120-1076	120-4076	
C pattes de support	4	120-1077	120-4077	
D plaque d'adaptation	1	201-1110	201-4110	
F support adaptateur court	2	201-1511	201-4511	
G support mural	1	201-0385	201-0383	
H frein d'écrou	1	200-1871	200-4871	
I vis à tête cylindrique creuse M10 x 15 mm	4	520-9262	520-9262	
J vis à tête creuse à embase crantée M4 x 12 mm	4	510-1079	510-1079	
K vis à tête creuse à embase crantée M4 x 20 mm	4	510-1061	510-1061	
L vis à tête creuse à embase crantée M5 x 40 mm	1	510-1001	510-1001	
M vis à tête creuse M5 x 10 mm	5	520-1063	520-1063	
N entretoise 0,125 po	1	540-1032	540-1032	
O attaches de câble	4	560-9711	560-9711	
P ancrages pour béton	8	590-0320	590-0320	
Q vis à bois n° 14 x 2,5 po	8	5S1-015-C03	5S1-015-C03	
R enveloppe en maille polyester de 18 po	2	600-1014	600-1014	
S entretoise 0,437 po	4	590-5005	590-5005	
T clé hexagonale de sécurité de 4 mm	1	560-1146	560-1146	
U vis phillips à tête ronde 1/4-20 x 1 po	24	510-9110	510-9110	
V écrou de blocage à embase crantée 1/4-20	16	530-1021	530-1021	
W écrou prisonnier Tinnerman® 1/4-20	12	530-2050	530-2050	
X rondelle plate de 1/4 po	24	540-9440	540-9440	





Fixations de sécurité du support adaptateur

							
M5 x 12mm (4) (520-1064)	M5 x 25mm (4) (520-1122)	M6 x 12mm (4) (520-1050)	M6 x 25mm (4) (520-1211)	M8 x 12mm (4) (520-1724)	M8 x 25mm (4) (520-1101)	.75" entretoise (4) (540-1059)	rondelle tout usage (4) (580-1398)

Installation au coin intérieur de murs à montants en bois

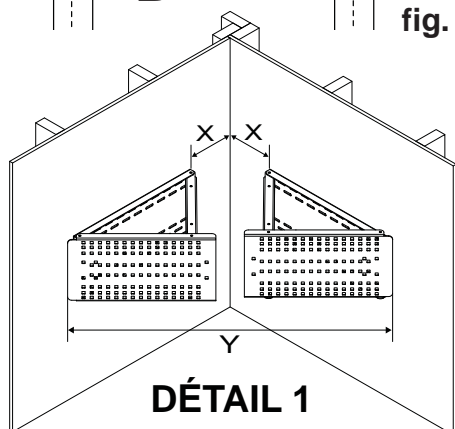
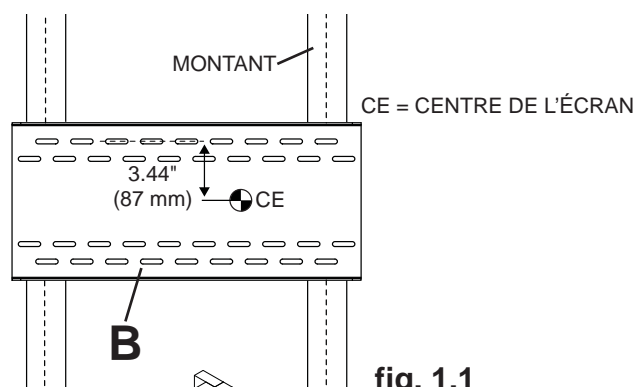
▲ AVERTISSEMENT

- L'installateur doit s'assurer que la surface de support pourra soutenir sans danger la charge combinée de l'équipement, de toute sa visserie et de tous ses composants.
- Serrez les vis à bois de manière que la plaque murale soit fermement fixée, mais sans excès. Un serrage excessif peut endommager les vis et en réduire considérablement le pouvoir de maintien.
- Ne serrez jamais à plus de 9 Nm (80 po-lb).
- Assurez-vous que les vis de montage sont ancrées au centre des montants. L'usage d'un localisateur de montants « bord à bord » est fortement conseillé.
- La visserie est fournie pour fixer la monture à travers une cloison sèche ou du plâtre d'épaisseur standard et dans des montants en bois. Il appartient aux installateurs de fournir la visserie nécessaire pour d'autres types de situations.

1 Les plaques murales (**B**) peuvent être installées à un montant ou à deux montants espacés de 16 po. Repérez le bord des montants à l'aide d'un localisateur de montants. L'utilisation d'un localisateur de montants « bord à bord » est fortement recommandée. Après avoir repéré les bords, tracez une ligne verticale le long du centre des deux murs. **REMARQUE** : Selon la position des montants sur les coins du mur, il pourrait être impossible de procéder à une installation sur deux montants.

Déterminez la distance entre le coin du mur et le bord intérieur des plaques murales (**B**) à l'aide de l'équation ci-dessous et du dessin de détail 1 pour obtenir la distance « X ». **REMARQUE** : Si les supports de haut-parleurs sont installés sur les côtés du support d'encoignure, la taille de l'écran ne peut excéder 40 po. Voir page 48 pour l'installation du support de haut-parleurs.

Mesurez la distance « X » à partir du coin du mur et marquez l'emplacement du bord intérieur de la plaque murale. Les fentes de montage supérieures de la plaque murale doivent être situées à 3,44 po (87 mm) au-dessus de l'endroit souhaité pour le centre de l'écran comme illustré à la figure 1.1. Mettez la plaque murale à niveau, alignez-la sur l'emplacement que vous avez marqué pour le bord intérieur de la plaque murale, et marquez quatre fentes alignées sur le centre des montants. Répétez l'opération pour la plaque murale du mur opposé. Percez des trous de 5/32 po (4 mm) de dia. à une profondeur minimale de 2,5 po (64 mm). Veillez à ce que les plaques murales soient de niveau et fixez-les à l'aide de vis à bois #14 x 2,5 po (**Q**).



$$"X" = \frac{Y}{1.414} - 21.216$$

DÉTAIL 1

Installation au coin extérieur de murs à montants en bois

▲ AVERTISSEMENT

- L'installateur doit s'assurer que la surface de support pourra soutenir sans danger la charge combinée de l'équipement, de toute sa visserie et de tous ses composants.
- Serrez les vis à bois de manière que la plaque murale soit fermement fixée, mais sans excès. Un serrage excessif peut endommager les vis et en réduire considérablement le pouvoir de maintien.
- Ne serrez jamais à plus de 9 Nm (80 po-lb).
- Assurez-vous que les vis de montage sont ancrées au centre des montants. L'usage d'un localisateur de montants « bord à bord » est fortement conseillé.
- La visserie est fournie pour fixer la monture à travers une cloison sèche ou du plâtre d'épaisseur standard et dans des montants en bois. Il appartient aux installateurs de fournir la visserie nécessaire pour d'autres types de situations.

1 Les plaques murales (**B**) peuvent être installées à un montant ou à deux montants espacés de 16 po. Repérez le bord des montants à l'aide d'un localisateur de montants. L'utilisation d'un localisateur de montants « bord à bord » est fortement recommandée. Après avoir repéré les bords, tracez une ligne verticale le long du centre des deux murs. **REMARQUE** : Selon la position des montants sur les coins du mur, il pourrait être impossible de procéder à une installation sur deux montants.

REMARQUE : Si les supports de haut-parleurs sont installés sur les côtés du support d'encoignure, la taille de l'écran ne peut excéder 40 po. Voir page 48 pour l'installation du support de haut-parleurs.

Mesurez 1 po (25 mm) à partir du coin du mur et marquez l'emplacement du bord intérieur de la plaque murale. Les fentes de montage supérieures de la plaque murale doivent être situées à 3,44 po (87 mm) au-dessus de l'endroit souhaité pour le centre de l'écran comme illustré à la figure 1,3. Mettez la plaque murale à niveau, alignez-la sur l'emplacement que vous avez marqué pour le bord intérieur de la plaque murale, et marquez quatre fentes alignées sur le centre des montants. Répétez l'opération pour la plaque murale du mur opposé. Percez des trous de 5/32 po (4 mm) de dia. à une profondeur minimale de 2,5 po (64 mm). Veillez à ce que les plaques murales soient de niveau et fixez-les à l'aide de vis à bois #14 x 2,5 po (**Q**).

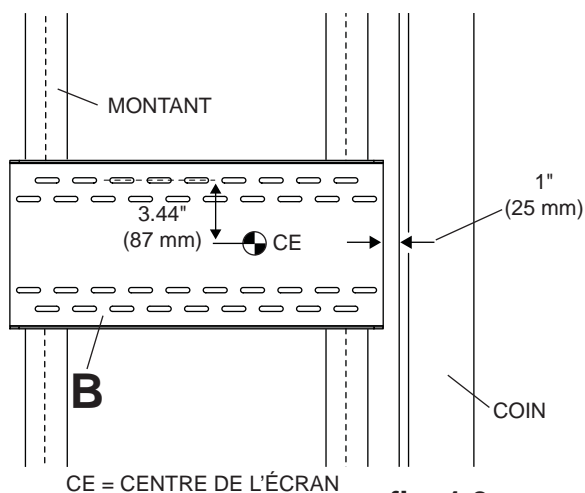


fig. 1.3

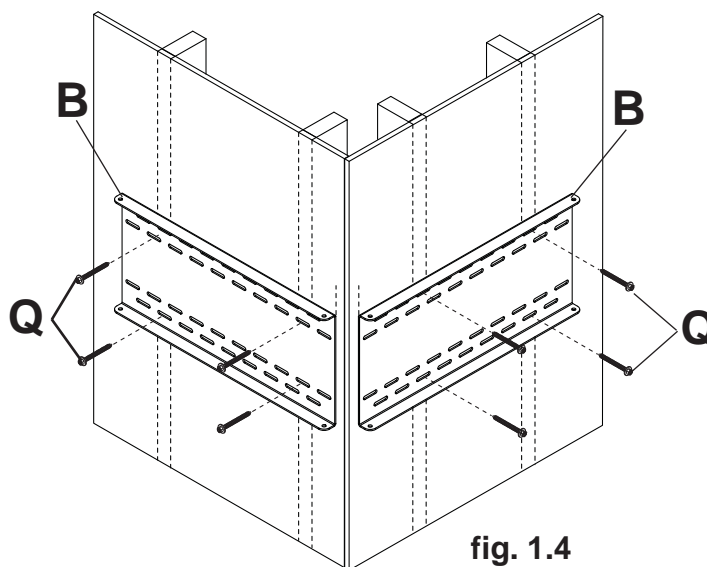
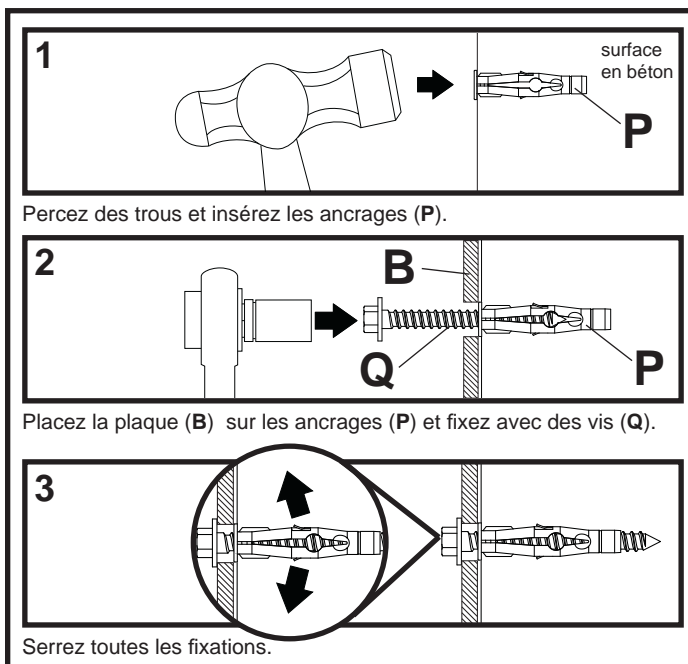


fig. 1.4

⚠ AVERTISSEMENT

- Si vous installez des montures murales Peerless sur un bloc de béton de mâchefer, vérifiez que vous disposez d'une épaisseur de béton d'au moins 0,34 cm (1 3/8 po) dans le trou destiné aux ancrages de béton. Ne percez pas dans les joints de mortier ! Veillez à effectuer le montage dans une partie pleine du bloc, généralement à au moins 2,5 cm (1 po) du côté du bloc. Le bloc de béton de mâchefer doit être conforme aux spécifications de l'ASTM C-90. Pour percer le trou, il est conseillé d'utiliser une perceuse électrique standard sur un réglage bas au lieu d'un marteau perforateur, afin d'éviter de briser la partie arrière du trou lorsque vous pénétrez un vide ou une cavité.
- Le béton doit avoir une densité minimale de 2000 psi. Un béton de densité moindre risquerait de ne pas retenir un ancrage de béton.
- Assurez-vous que la surface de support pourra soutenir sans danger la charge combinée de l'équipement, de toute sa visserie et de tous ses composants.

1 Déterminez la distance entre le coin du mur et le bord intérieur de la plaque murale (**B**) à l'aide de l'équation et du dessin de détail 1 en page 37 pour obtenir la distance « X ». **REMARQUE** : Si les supports de haut-parleurs sont installés sur les côtés du support d'encoignure, la taille de l'écran ne peut excéder 40 po. Voir page 48 pour l'installation du support de haut-parleurs. Mesurez la distance « X » à partir du coin du mur et marquez l'emplacement du bord intérieur de la plaque murale. Les fentes de montage supérieures de la plaque murale doivent être situées à 3,44 po (87 mm) au-dessus de l'endroit souhaité pour le centre de l'écran comme illustré à la fig 1.1 en page 37. Mettez la plaque murale à niveau (**B**), alignez-la sur l'endroit que vous avez marqué pour le bord intérieur de la plaque murale et marquez quatre fentes alignées sur le centre des montants. Répétez l'opération pour la plaque murale du mur opposé. Percez des trous de 1/4 po (6 mm) de dia. à une profondeur minimale de 2,5 po (64 mm). Insérez les chevilles d'ancrage (**P**) dans les trous au ras du mur comme illustré (à droite). Posez la plaque murale sur les chevilles d'ancrage, veillez à ce que les plaques murales soient de niveau et fixez-les à l'aide de vis à bois #14 x 2,5 po (**Q**).

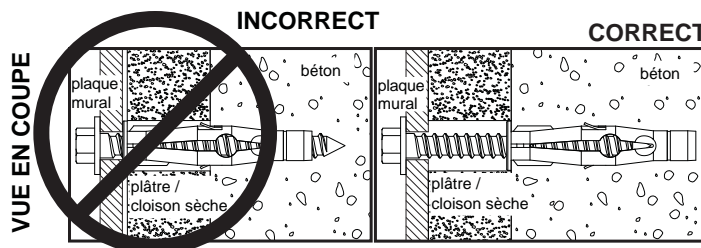
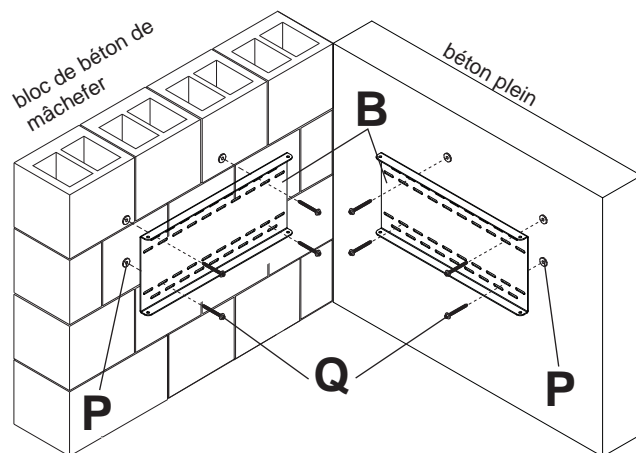


⚠ AVERTISSEMENT

- Serrez les vis de manière que la plaque murale soit fermement fixée, mais sans excès. Un serrage excessif peut endommager les vis et en réduire considérablement le pouvoir de maintien.
- Ne serrez jamais à plus de 9 Nm (80 po-lb).

⚠ AVERTISSEMENT

- Fixez toujours des ancrages de béton directement sur du béton porteur.
- Ne fixez jamais des chevilles d'ancrage pour béton à du béton recouvert d'une couche de plâtre, d'une cloison sèche ou de tout autre matériau de finition. Si vous devez absolument effectuer l'installation sur du béton recouvert d'une surface de finition, celle-ci doit être chambrée, comme indiqué à droite. Veillez à ce que les chevilles d'ancrage ne s'éloignent pas du béton lorsque vous serrez les vis. Si l'épaisseur du plâtre ou de la cloison sèche dépasse 5/8 po, l'installateur devra fournir des pièces de fixation sur mesure.



⚠ AVERTISSEMENT

- Si vous installez des montures murales Peerless sur un bloc de béton de mâchefer, vérifiez que vous disposez d'une épaisseur de béton d'au moins 0,34 cm (1 3/8 po) dans le trou destiné aux ancrages de béton. Ne percez pas dans les joints de mortier ! Veillez à effectuer le montage dans une partie pleine du bloc, généralement à au moins 2,5 cm (1 po) du côté du bloc. Le bloc de béton de mâchefer doit être conforme aux spécifications de l'ASTM C-90. Pour percer le trou, il est conseillé d'utiliser une perceuse électrique standard sur un réglage bas au lieu d'un marteau perforateur, afin d'éviter de briser la partie arrière du trou lorsque vous pénétrez un vide ou une cavité.
- Le béton doit avoir une densité minimale de 2000 psi. Un béton de densité moindre risquerait de ne pas retenir un ancrage de béton.
- Assurez-vous que la surface de support pourra soutenir sans danger la charge combinée de l'équipement, de toute sa visserie et de tous ses composants.

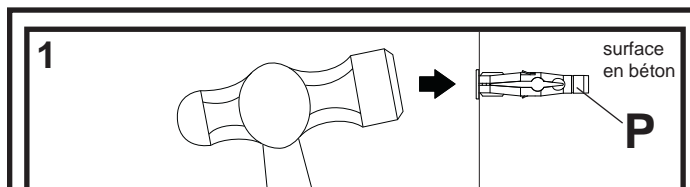
1 REMARQUE : Si les supports de haut-parleurs sont installés sur les côtés du support d'encoignure, la taille de l'écran ne peut excéder 40 po. Voir page 48 pour l'installation du support de haut-parleurs. Mesurez 1 po (25 mm) à partir du coin du mur et marquez l'emplacement du bord intérieur de la plaque murale. Les fentes de montage supérieures de la plaque murale doivent être situées à 3,44 po (87 mm) au-dessus de l'endroit souhaité pour le centre de l'écran comme illustré à la fig. 1.3 en page 38. Mettez la plaque murale à niveau (**B**), alignez-la sur l'endroit que vous avez marqué pour le bord intérieur de la plaque murale et marquez quatre fentes alignées sur le centre des montants. Répétez l'opération pour la plaque murale du mur opposé. Percez des trous de 1/4 po (6 mm) de dia. à une profondeur minimale de 2,5 po (64 mm). Insérez les chevilles d'ancrage (**P**) dans les trous au ras du mur comme illustré (à droite). Posez la plaque murale sur les chevilles d'ancrage, en veillant à ce que les plaques murales soient de niveau, et fixez-les à l'aide de vis à bois #14 x 2,5 po (**Q**).

⚠ AVERTISSEMENT

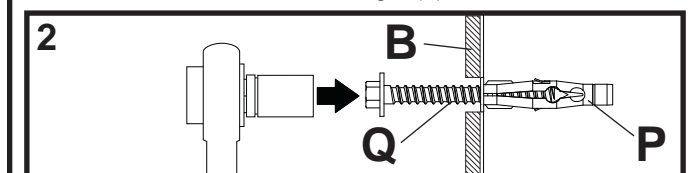
- Serrez les vis de manière que la plaque murale soit fermement fixée, mais sans excès. Un serrage excessif peut endommager les vis et en réduire considérablement le pouvoir de maintien.
- Ne serrez jamais à plus de 9 Nm (80 po-lb).

⚠ AVERTISSEMENT

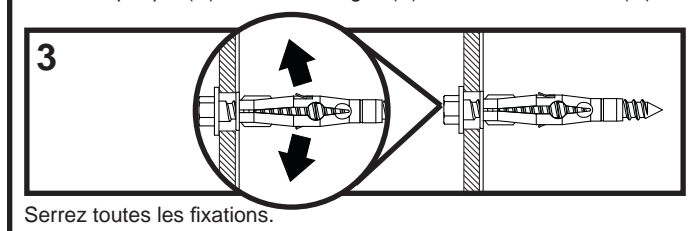
- Fixez toujours des ancrages de béton directement sur du béton porteur.
- Ne fixez jamais des chevilles d'ancrage pour béton à du béton recouvert d'une couche de plâtre, d'une cloison sèche ou de tout autre matériau de finition. Si vous devez absolument effectuer l'installation sur du béton recouvert d'une surface de finition, celle-ci doit être chambrée, comme indiqué à droite. Veillez à ce que les chevilles d'ancrage ne s'éloignent pas du béton lorsque vous serrez les vis. Si l'épaisseur du plâtre ou de la cloison sèche dépasse 5/8 po, l'installateur devra fournir des pièces de fixation sur mesure.



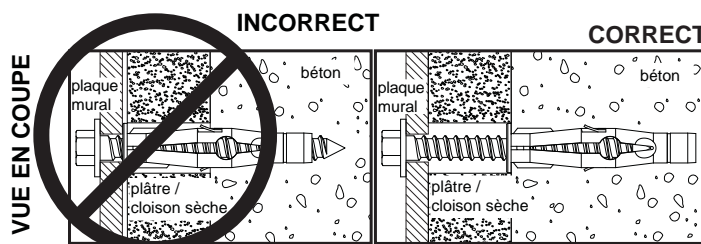
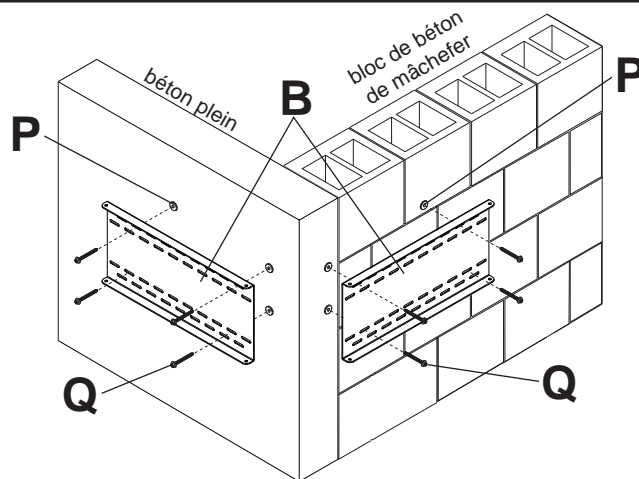
Percez des trous et insérez les ancrages (**P**).



Placez la plaque (**B**) sur les ancrages (**P**) et fixez avec des vis (**Q**).



Serrez toutes les fixations.



Attaching Interface Plate

- 2** Fixez la plaque d'interconnexion (A) à la plaque murale (B) à l'aide d'une vis Phillips à tête ronde 1/4-20 x 1 po (U), d'une rondelle plate 1/4 po (X) et d'un écrou de blocage à embase crantée 1/4-20 (V) comme illustré à la fig 2.1 ou 2.2 pour les coins intérieurs ou aux fig 2.3 et 2.4 pour les coins extérieurs. Répétez l'opération pour la plaque d'interconnexion du mur opposé.

REMARQUE : Assurez-vous que la bride supérieure de la plaque d'interconnexion (A) est posée sur la bride supérieure de la plaque murale (B).

REMARQUE : Ne pas serrer complètement les fixations.

COIN GAUCHE INTÉRIEUR

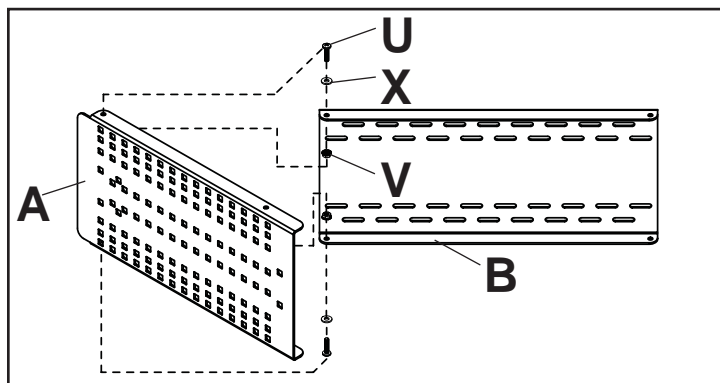


fig. 2.1

COIN DROIT INTÉRIEUR

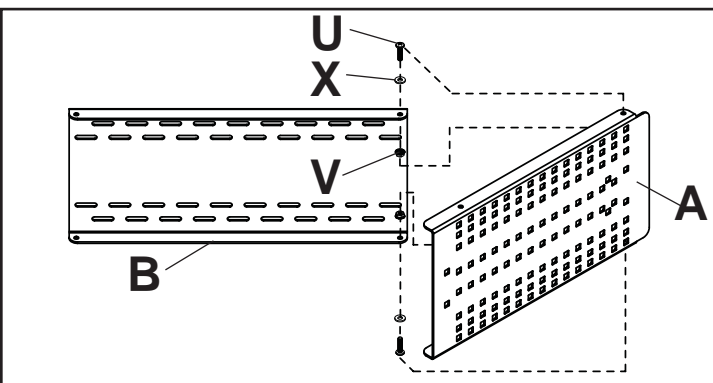


fig. 2.2

COIN GAUCHE EXTÉRIEUR

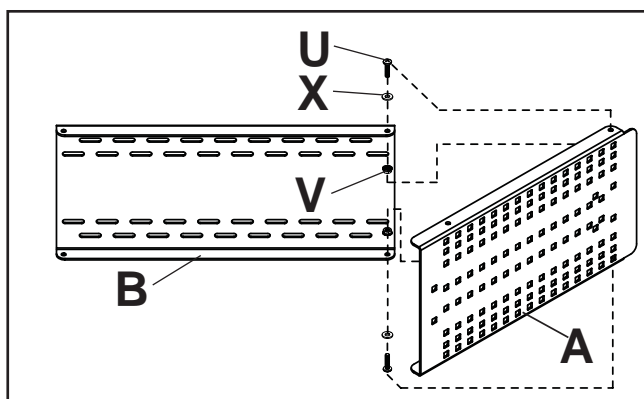


fig. 2.3

COIN DROIT EXTÉRIEUR

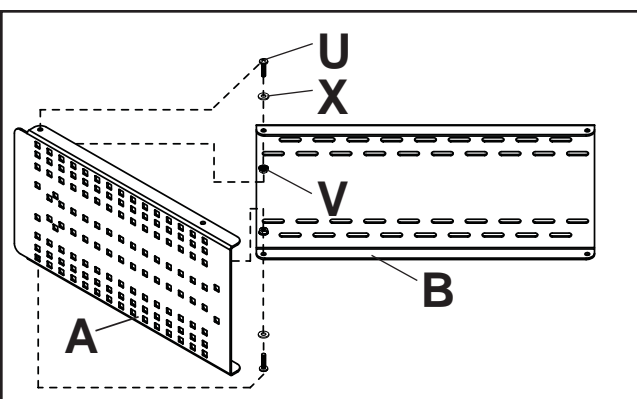
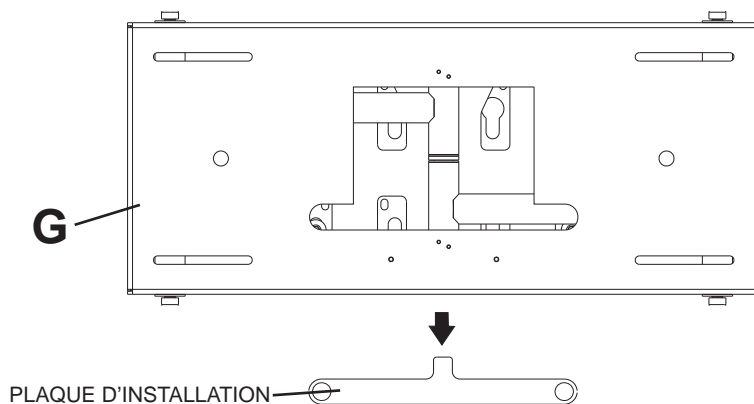
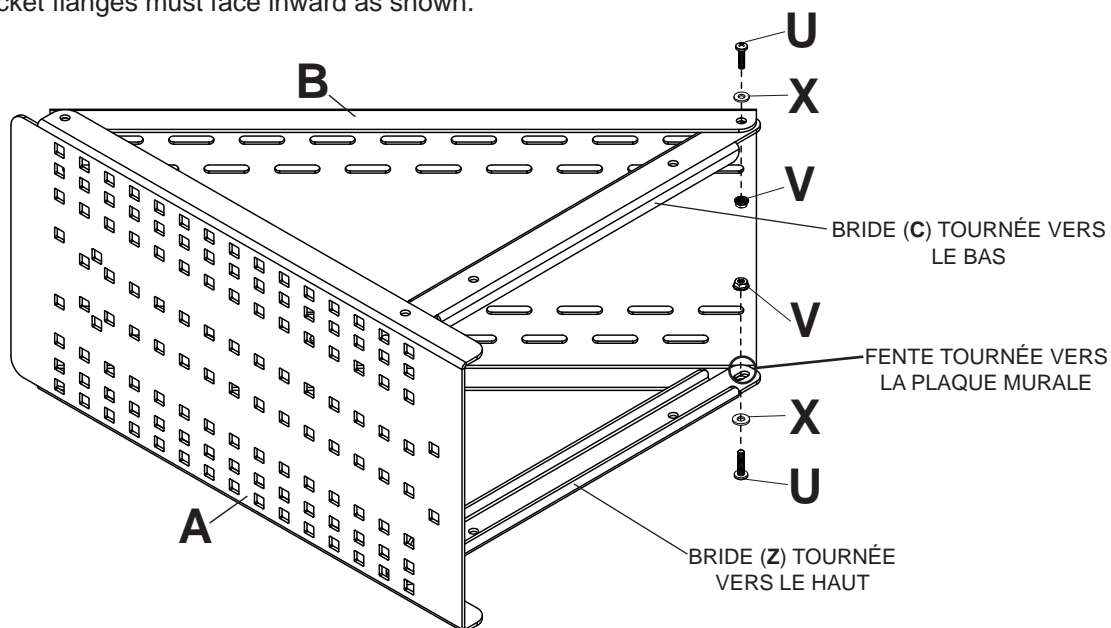


fig. 2.4

- 3** Retirez la plaque d'installation du support mural (G).



- 4 Attach and tighten two support brackets (C) to inside of interface plate (A) and wall plate (B) using two sets of 1/4-20 x 1" round phillips head screws (U), 1/4" flat washers (X) and 1/4-20 flanged serrated locknuts (V). Repeat for remaining interface plate then tighten all fasteners.
NOTE: Support bracket flanges must face inward as shown.



- 5-1 Alignez le support mural (G) sur les plaques d'interconnexion (A) pour déterminer l'emplacement des écrous prisonniers (W) servant à fixer le support mural (G) aux plaques d'interconnexion. Installez les écrous prisonniers à l'arrière des plaques d'interconnexion (A) comme illustré à la figure 5.1.

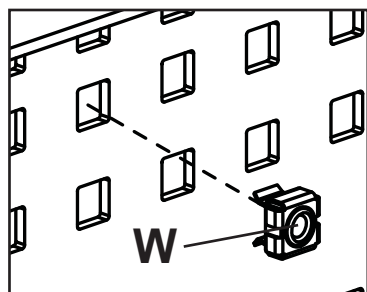


fig 5.1

- 5-2 Fixez le support mural (G) aux plaques d'interconnexion (A) à l'aide de huit vis Phillips à tête ronde 1/4-20 x 1 po (U) et de rondelles plates 1/4 po (X) insérées dans les fentes et dans les écrous prisonniers comme illustré à la figure 5.2.

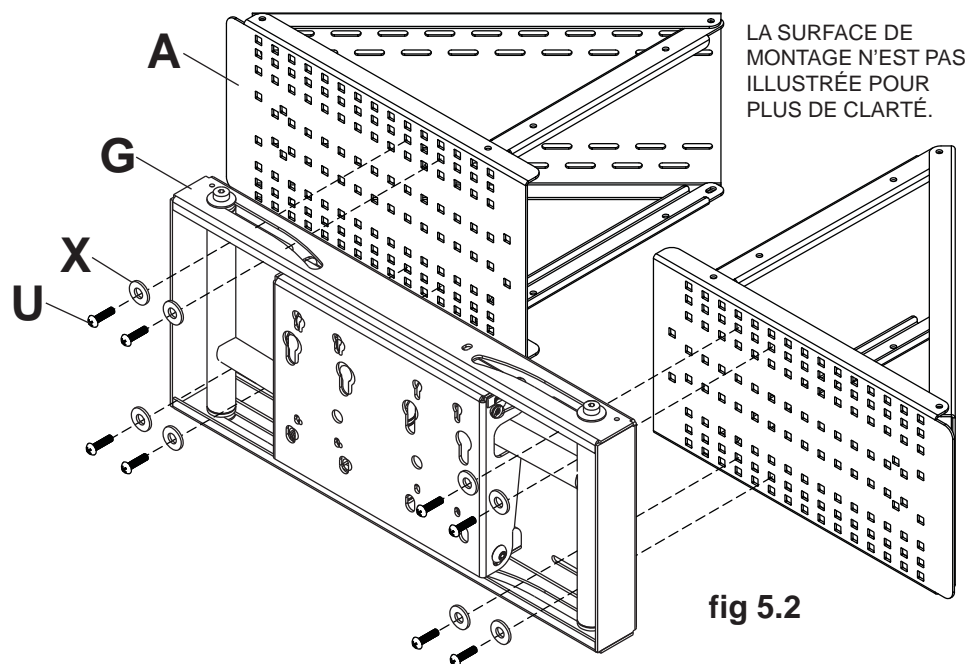
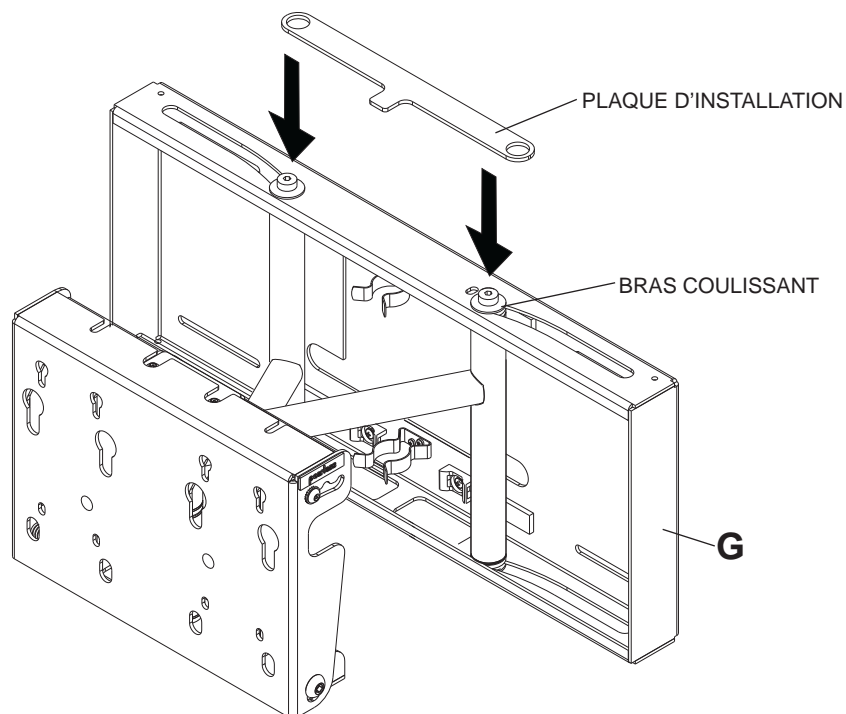


fig 5.2

- 6** Posez la plaque d'installation sur les bras coulissants du support mural (G) pour les faire tenir en place.



- 7** Serrez deux vis M10 x 15 mm (I), en laissant 0,25 po de filetage exposé, dans les trous supérieurs de l'arrière de la plaque d'adaptation (D). Accrochez la plaque d'adaptation (D) à la plaque de montage et fixez-la à l'aide de deux vis de fond M10 x 15 mm (I) comme illustré aux figures 7.1 et 7.2. Serrez les vis à l'aide d'une clé hexagonale de 6 mm (non comprise).

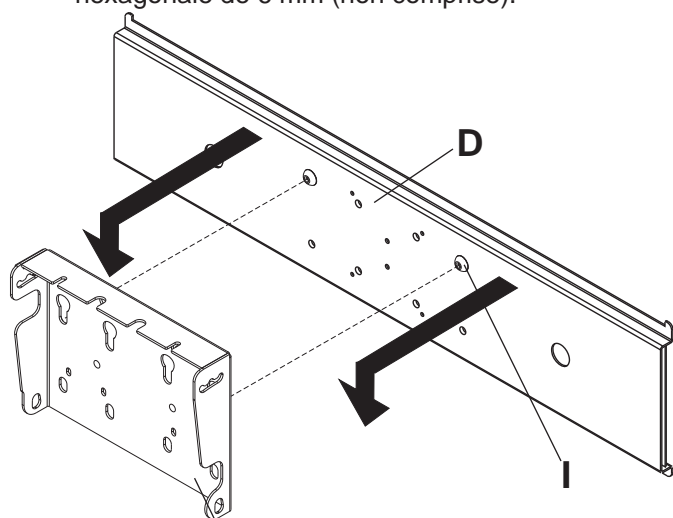


fig. 7.1

PLAQUE DE MONTAGE
**(REMARQUE : LA
 PLAQUE DE MONTAGE
 EST ILLUSTRÉE SANS
 L'ENSEMBLE DU
 SUPPORT MURAL POUR
 PLUS DE CLARTÉ)**

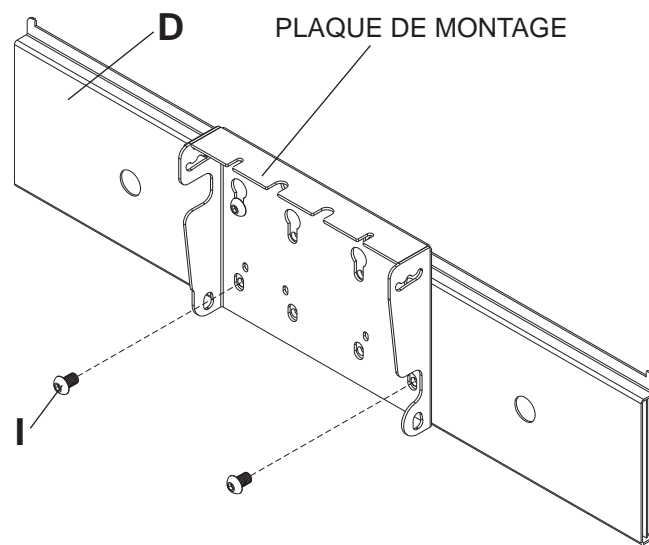


fig. 7.2

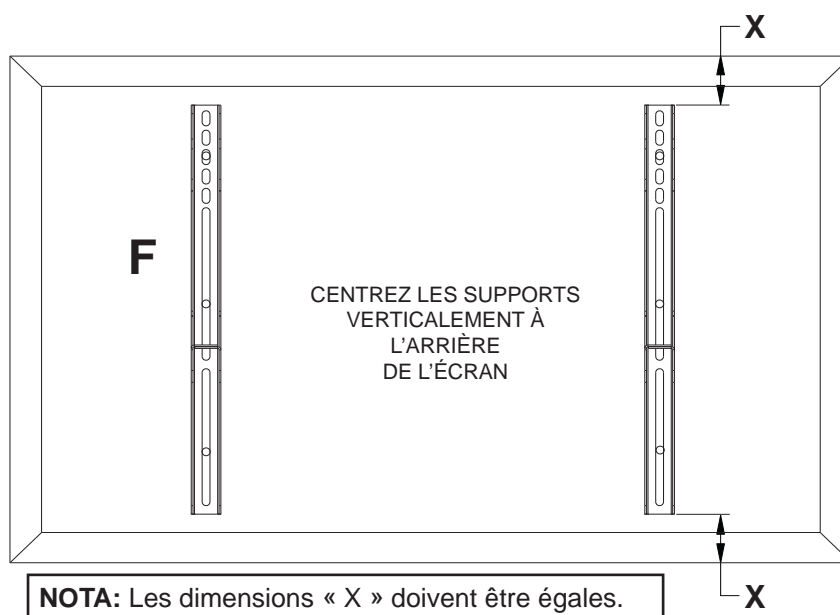
Instalación de los soportes adaptadores

⚠ ADVERTENCIA

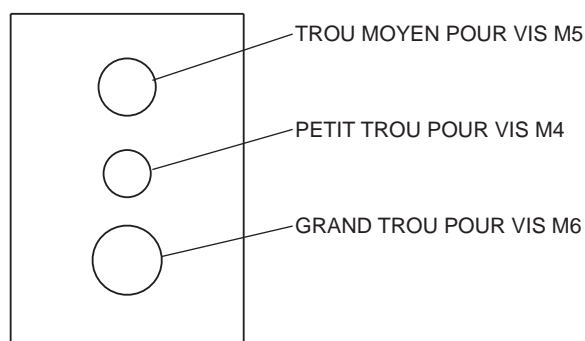
- Apriete los tornillos de tal modo que los soportes adaptadores queden firmemente sujetos. No apriete aplicando demasiada fuerza. El apriete excesivo puede causar daño por esfuerzo a los tornillos, reduciendo enormemente su fuerza de fijación y causando el posible desprendimiento de sus cabezas. Apriete los tornillos a 40 pulg-lb (4.5 N•m) de par torsor máximo.
- Si los tornillos no pueden atornillarse con tres vueltas completas en los insertos de la pantalla, o si los tornillos topan fondo y la placa todavía no está firmemente sujeta, se podría dañar la pantalla o causar la falla del producto.

8 Afin d'éviter de rayer l'écran, posez un morceau de tissu sur une surface plane et de niveau qui peut supporter le poids de l'écran. Déposez l'écran à plat, tourné vers le bas. Si l'écran possède des boutons à l'arrière, enlevez-les pour pouvoir attacher les supports adaptateurs. Placez les supports adaptateurs (**F**) à l'arrière de l'écran, alignez-les sur les trous et centrez-les sur l'arrière de l'écran, comme illustré ci-dessous. Fixez les supports adaptateurs à l'arrière de l'écran à l'aide des vis, rondelles et entretoises appropriées, comme illustré sur la figure 8.1 ou 8.2.

REMARQUE: Les trous supérieurs et inférieurs de l'écran doivent toujours être utilisés. Veillez à ce que tous les trous soient bien alignés, puis serrez les vis à l'aide d'un tournevis Phillips.



RONDELLE
UNIVERSELLE



Remarques:

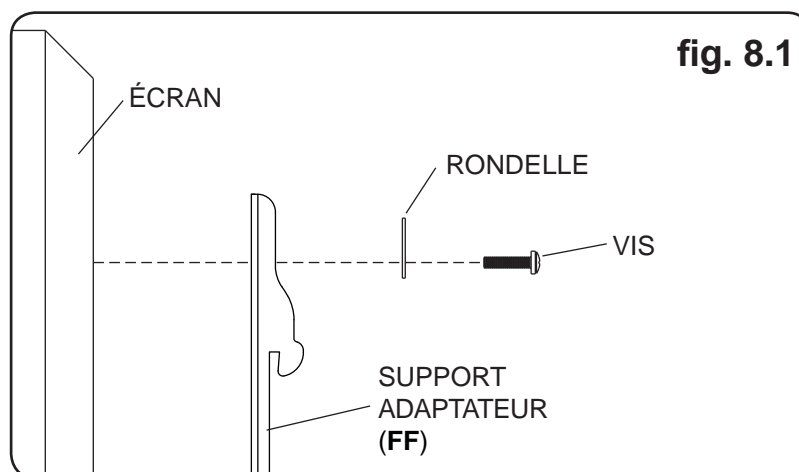
- Le nombre de fixations utilisées varie suivant le type d'écran.
- Il est possible que les rondelles universelles et les entretoises ne soient pas nécessaires, suivant le type d'écran.
- Utilisez le trou correspondant dans la rondelle universelle adaptée à la taille de vis.

REMARQUE : Pour les écrans à dos plat, exécutez l'étape 8-1. Pour les écrans à dos convexes ou concaves, passez à l'étape 8-2.

Pour les écrans à dos plat

- 8-1** Commencez par la vis la plus courte et vissez-la manuellement à l'écran en la faisant passer à travers la rondelle et le support adaptateur, comme indiqué ci-dessous. La vis doit effectuer au moins trois tours complets dans le trou de fixation et tenir solidement en place. Ne pas trop serrer. S'il est impossible d'effectuer trois tours de vis complets, choisissez une vis plus longue dans le jeu de fixations à compartiments. Répétez pour le reste des trous de fixation, mettez les supports à niveau et resserrez les vis.

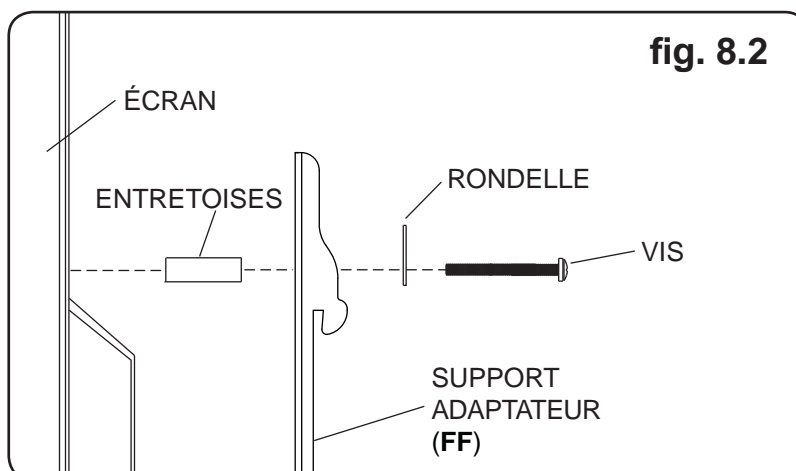
REMARQUE : Il n'est pas toujours nécessaire d'utiliser des entretoises, selon le type d'écran.



Si tiene alguna pregunta, por favor, llame a servicio al cliente de Peerless al **1-800-865-2112**.

Pour un écran à dos convexe ou concave

- 8-2** Commencez par la vis la plus longue et vissez-la manuellement à l'écran en la faisant passer à travers la rondelle, le support adaptateur et l'entretoise comme indiqué ci-dessous. La vis doit effectuer au moins trois tours complets dans le trou de fixation et tenir solidement en place. Ne pas trop serrer. S'il est impossible d'effectuer trois tours de vis complets, choisissez une vis plus longue dans le jeu de fixations à compartiments. Répétez pour le reste des trous de fixation, mettez les supports à niveau et resserrez les vis.



Si tiene alguna pregunta, por favor, llame a servicio al cliente de Peerless al **1-800-865-2112**.

⚠ AVERTISSEMENT

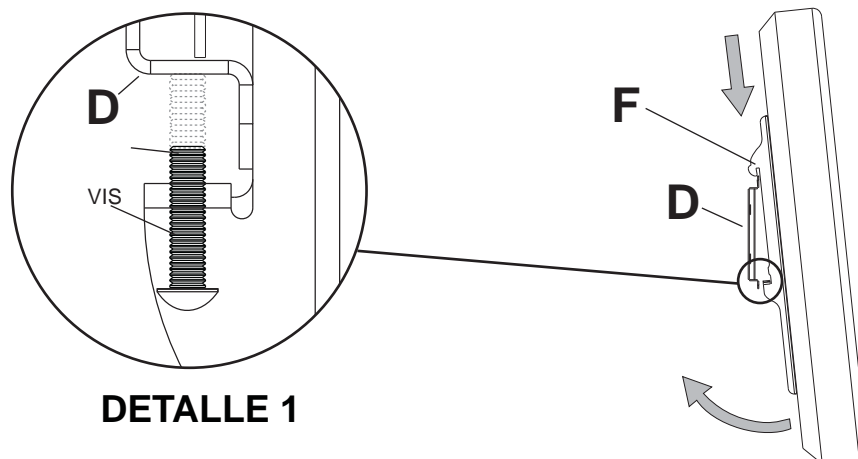
- Pour lever et positionner l'écran plasma en toute sécurité, faites-vous toujours aider par une autre personne ou utilisez un matériel de levage mécanique.

Montage et démontage d'un écran plat

- 9** Accrochez les supports adaptateurs (F) à la plaque d'adaptation (D), puis faites pivoter lentement l'écran comme illustré. Faites au moins six tours de vis dans le sens des aiguilles d'une montre pour vous assurer que l'écran ne puisse se détacher, comme illustré dans le dessin de détail 1. Serrez les vis à l'aide d'une clé de sécurité hexagonale de 4 mm (T).

L'écran peut être réglé horizontalement si désiré.

REMARQUE : Pour verrouiller l'écran en place, vissez-le à la plaque d'adaptation comme illustré dans le dessin de détail 1. Pour retirer l'écran du support, desserrez les vis, faites pivoter l'écran hors du support et soulevez-le.



- 10** L'écran peut s'incliner vers l'avant à un angle de 5° ou 10°.
- REMARQUE :** L'écran doit être solidement fixé à la plaque de montage à l'aide de toutes les fixations avant le réglage de l'inclinaison.
- Pour incliner l'écran de 5° vers l'avant, soulevez la plaque de montage et tirez-la vers l'avant jusqu'à ce que l'encoche centrale repose sur la vis M6 comme illustré à la figure 10.1. Serrez la vis M6 (des deux côtés) et les vis M10 (des deux côtés).
- Pour incliner l'écran de 10° vers l'avant, soulevez la plaque de montage et tirez-la vers l'avant jusqu'à ce que l'encoche arrière soit posée sur la vis M6 comme illustré à la figure 10.2. Serrez la vis M6 (des deux côtés) et les vis M10 (des deux côtés).
- REMARQUE :** Pour les modèles de sécurité, serrez la vis M6 à l'aide d'une clé de sécurité hexagonale (T). Serrez toutes les vis M10 à l'aide d'une clé hexagonale de 6 mm (non comprise).

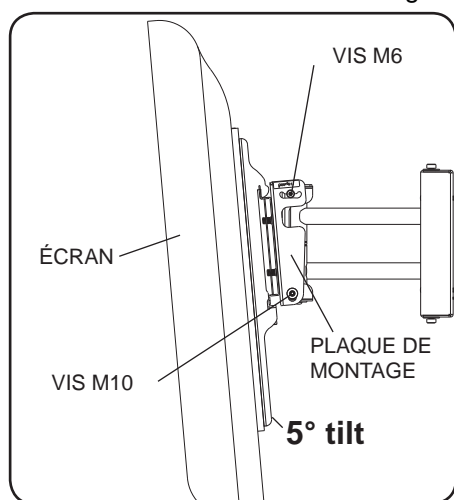


fig. 10.1

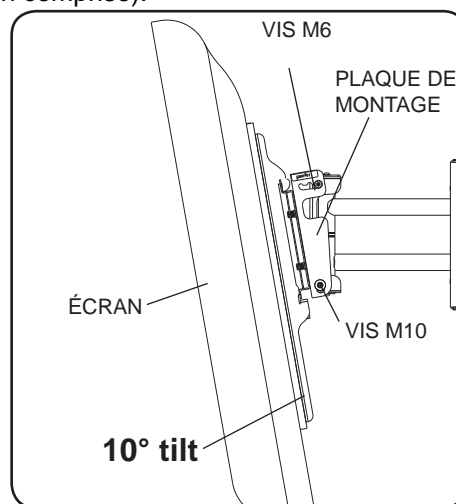
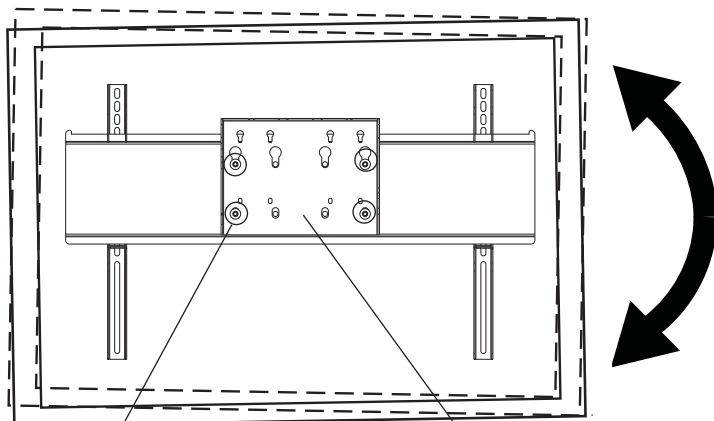


fig. 10.2

- 11** La rotation peut être réglée de 1° dans le sens des aiguilles d'une montre ou dans le sens contraire. Pour régler la rotation, desserrez légèrement les vis M10 x 15 mm (I), mais en vous assurant qu'elles tiennent bien en place. Mettez l'écran à niveau, puis serrez les vis (I).

REMARQUE : Pendant le réglage de la rotation, les vis doivent être resserrées comme indiqué à l'étape 8.



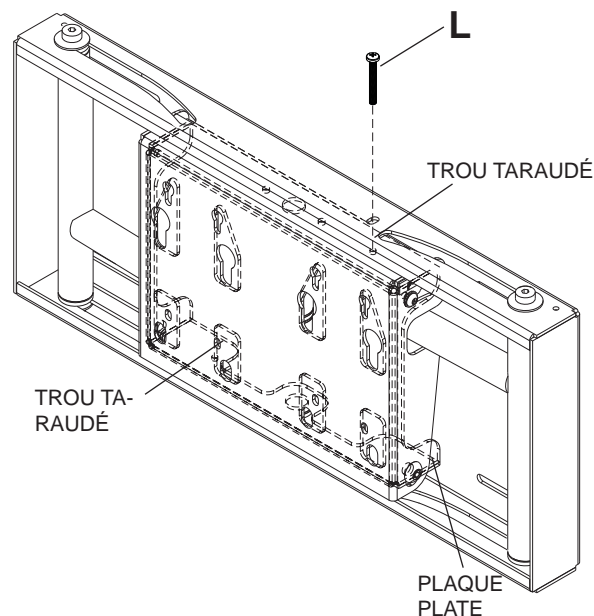
VIS À TÊTE CYLINDRIQUE CREUSE M10 x 15 MM (I)

REMARQUE : LA PLAQUE DE MONTAGE EST ILLUSTRÉE SANS L'ENSEMBLE DU SUPPORT MURAL POUR PLUS DE CLARTÉ

VUE ARRIÈRE

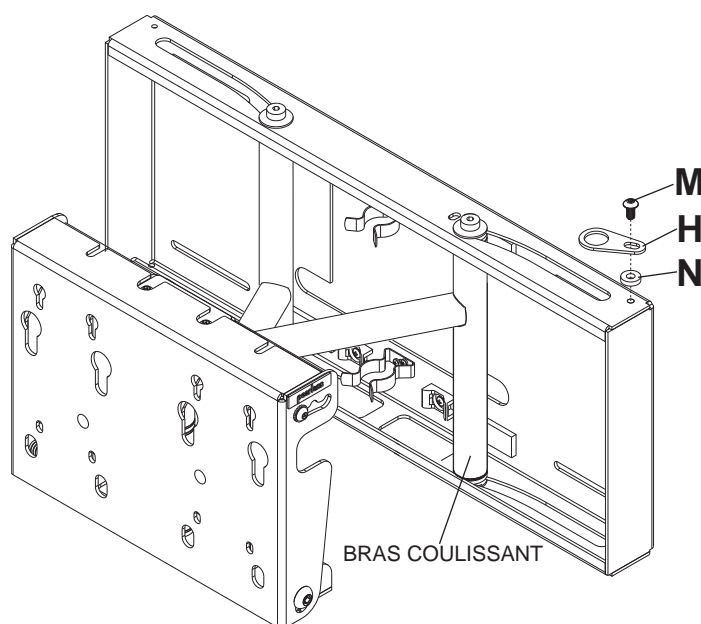
- 12** **Facultatif :** Pour bloquer le support en position fermée, insérez une vis M5 x 40 mm (L) dans le trou taraudé supérieur ou inférieur de la plaque plate.

REMARQUE : La totalité de l'assemblage/écran n'est pas illustrée pour plus de clarté.



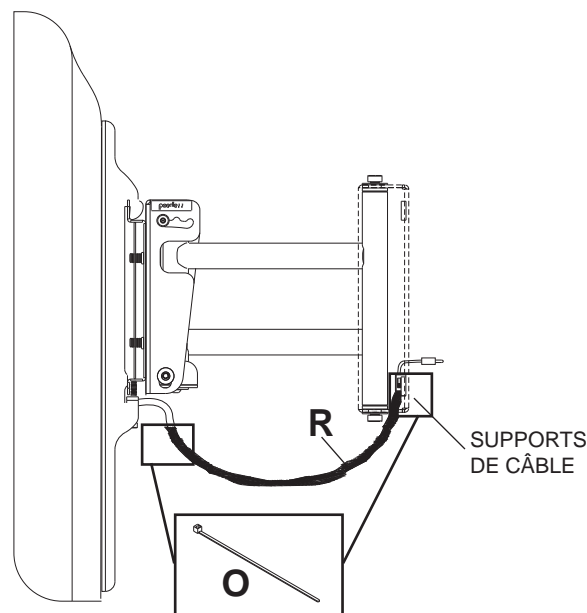
- 13** **Facultatif :** Pour bloquer un bras coulissant, faites glisser le frein d'écrou (H) sur le haut ou le bas du bras coulissant et fixez-le au support à l'aide d'une vis M5 x 10 mm (M) et d'une entretoise (N).

REMARQUE : La totalité de l'assemblage/écran n'est pas illustrée pour plus de clarté.



- 14** Faites glisser une enveloppe en maille (R) sur chaque câble. Utilisez les attaches de câble (O) pour resserrer les deux extrémités des enveloppes en maille sur les câbles.

REMARQUE : Faites passer les attaches de câbles autour des supports de câble et serrez le câble et l'enveloppe en maille sur les supports de câble.



Installation des supports de haut-parleurs (facultatif)

- 15** **REMARQUE** : Le support d'encoignure peut être visible avec des écrans de petite taille.
- REMARQUE** : Le support de haut-parleurs (vendu séparément) peut différer de l'illustration. ACC930 (vendu séparément) est nécessaire à l'installation du support de haut-parleurs au support d'encoignure. À l'aide de la configuration de trous ci-dessous, fixez le support de haut-parleurs à la plaque d'interconnexion (A) à l'aide de deux vis et de deux rondelles à l'avant et de deux écrous à l'arrière. **REMARQUE** : Les fixations nécessaires à l'installation du support de haut-parleurs ne sont pas comprises

