

CM850

# Corner Mount

## For 32" to 60" Displays

The industry's first and only mount designed for direct corner mounting — only from Peerless-AV! With its pull-out pivot capability (up to 10.75"), the CM850 easily adapts to wider displays with no need for wall mount repositioning. Enjoy perfect viewing from all angles with this flexible corner mount model that pulls-out, swivels and tilts. Display attachment plate accommodates speakers when used with smaller flat panels. Out of the way, but still in clear view, the direct corner mount is the perfect solution for displays mounted directly to the corner.



### FEATURES

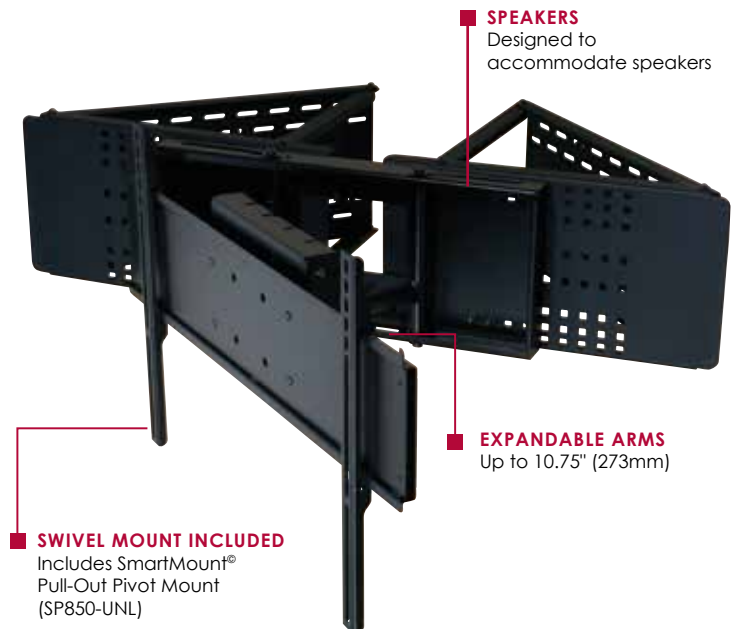
- Allows display to be mounted directly in to the corner
- Includes SmartMount® Pull-Out Pivot Mount (SP850-UNL)
- Extendable arms accommodate multiple display sizes without having to adjust wall unit placement
- Extends up to 10.75" (273mm); pull-out pivot with up to 90° rotation; 0°, 5° or 10° lockable tilt
- Accommodate speakers when used with smaller displays (wall unit may be visible with some smaller displays)
- Optional shelving available for AV components



Display size: 32" to 60"



Max load: 150lb (68kg)



Optional shelf available for AV components



Wall units accommodate speakers when used with smaller displays



Patented. Utility Patent No. 7,823,850; 8,517,322.

CLICK: [peerless-av.com](http://peerless-av.com) CALL: 800.865.2112 FAX: 800.359.6500

peerless-AV®

<b>CM850</b>	Corner Mount for 32" to 60" Displays
--------------	--------------------------------------

Product Specifications

	DIMENSIONS (W x H x D)	PRODUCT WEIGHT	LOAD CAPACITY	FINISH	AVAILABLE COLORS
<b>CM850</b>	36.60"-43.80" x 18.00" x 18.04"-25.79" (930-1113 x 459 x 457-655mm)	64.5lb (29.3kg)	150lb (68kg)	Scratch resistant fused epoxy	Black

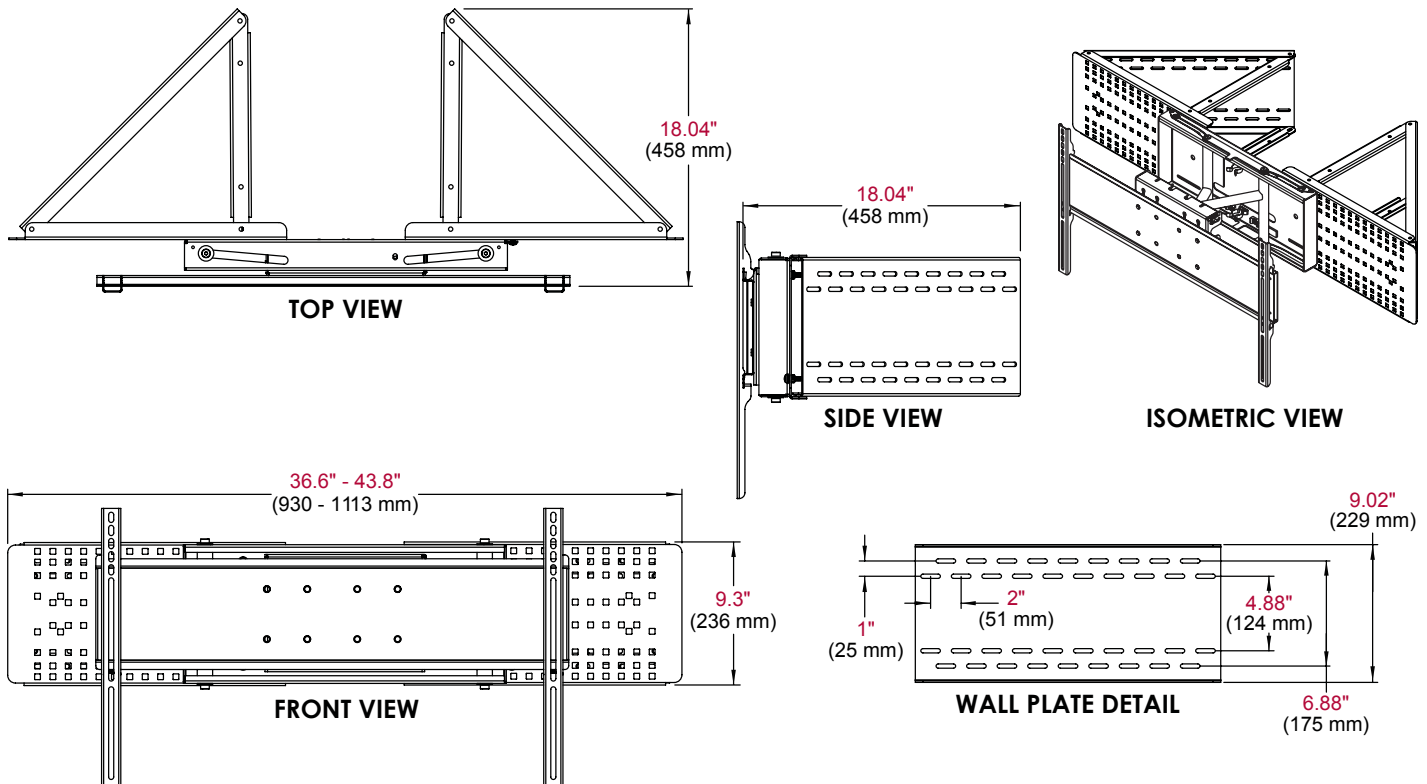
Package Specifications

	PACKAGE SIZE (W x H x D)	PACKAGE SHIP WEIGHT	PACKAGE UPC CODE	PACKAGE CONTENTS	UNITS IN PACKAGE
<b>CM850</b>	Box 1: 46" x 12" x 4" (1168 x 304 x 101mm) Box 2: 32" x 12" x 4.69" (812 x 304 x 119mm)	Box 1: 39lb (17.7kg) Box 2: 30.5lb (13.8kg)	735029259688	Wall plates (2), display attachment plates (2), support brackets (4), SP850-UNL, assembly and mounting attachment hardware	1

Accessories

<b>ACC324:</b>	Corner Mount Shelf
<b>ACC930:</b>	Fastener Kit for Speaker Mounts

All dimensions = inch (mm)



ARCHITECTS SPECIFICATIONS

The corner mount shall be a Peerless-AV model CM850 and shall be located where indicated on the plans. Assembly and installation shall be done according to instructions provided by the manufacturer.