

Welcome!

We greatly appreciate your purchase of the CNK200 Cable-Nook Interconnect Box. We are sure you will find it reliable and simple to use. Superior performance for the right price, backed by solid technical and customer support is what ALTINEX has to offer.

We are committed to providing our customers with Signal Management Solutions[®] to the most demanding audiovisual installations at very competitive pricing and we welcome you to join the ranks of our many satisfied customers throughout the world.

1. Precautions and Safety Warnings

Please read this manual carefully before using your CNK200 Cable-Nook Interconnect Box. Keep this manual handy for future reference. These safety instructions are to ensure the long life of your CNK200 and to prevent fire and shock hazards. Please read them carefully and heed all warnings.

1.1 General

- Qualified ALTINEX service personnel or its authorized representative must perform all service.

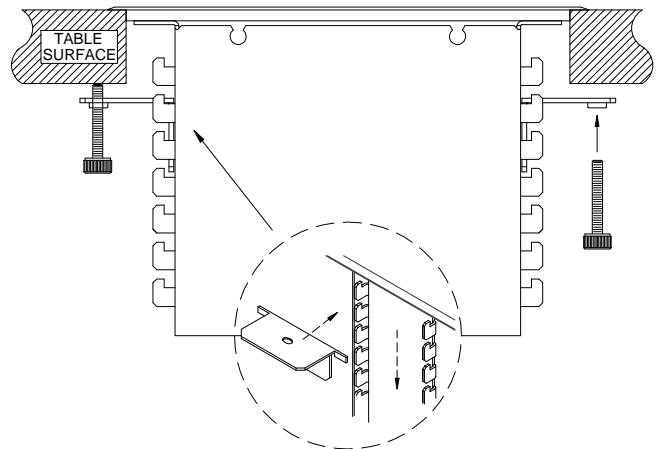
1.2 Installation

- For best results, place the CNK200 Cable-Nook Interconnect Box in a dry area away from dust and moisture.
- To prevent fire or shock, do not expose this unit to water or moisture. Do not place the CNK200 in direct sunlight, near heaters or heat-radiating appliances, or near any liquid. Exposure to direct sunlight, smoke, or steam can harm internal components.
- Handle the CNK200 carefully. Dropping or jarring can damage the unit.
- Never place fingers inside the openings in the back of the unit. This action could cause serious injury because of the sharp edges inside.

2. Installation Procedures

WARNING: ALTINEX recommends using an experienced professional to make the table cutout. Before starting, go to the ALTINEX website at www.altinex.com and download the latest table cutout requirements, templates, and detailed installation instructions with diagrams.

- Step 1. Cut an opening into the table for the CNK200. Use the template and measurements provided on the ALTINEX website. The CNK200 is designed to fit tabletops 0.5 - 3.5 in (13-89 mm) thick.
- Step 2. Insert the CNK200 into the table cutout and secure it to the table using the brackets and thumb screws provided.
- Step 3. Prepare cables for use with the CNK200. When using retaining brackets to hold cables in place, it is important to adjust the retaining brackets close enough together to prevent the cables from falling, but loose enough to allow the cables to be pulled up easily. The cables should be long enough to be pulled up through the CNK200 and reach the equipment.
If using preconfigured or customizable sectional plates, the cables need only be long enough to mate with the cables/connectors on the plates.
- Step 4. If desired, bundle like cables together using a protective sheath, meshed sleeve, etc. Leave the free ends of the cables long enough for making connections to the equipment on the table.
- Step 5. Route the cables through the bottom of the unit to the top. Use the cable clamps provided to neatly route and secure the cables to the bottom of the table.



- Do not place heavy objects on top of the CNK200.
- Install all cables according to the instructions.

1.3 Cleaning

- Clean surfaces with a dry cloth. Never use strong detergents or solvents such as alcohol or thinner. Do not use a wet cloth or water to clean the unit.

1.4 FCC Notice

- This device complies with Part 15 of the FCC Rules. Operation is subject to the following two conditions: (1) This device may not cause harmful interference, and (2) this device must accept any interference received, including interference that may cause undesired operation.
- This equipment has been tested and found to comply with the limits for a Class A digital device, pursuant to Part 15 of the FCC Rules. These limits are designed to provide reasonable protection against harmful interference when the equipment is operated in a commercial environment. This equipment generates, uses, and can radiate radio frequency energy and if not installed and used in accordance with instructions found herein, may cause harmful interference to radio communications. Operation of this equipment in a residential area is likely to cause harmful interference in which case the user will be required to correct the interference at his own expense.
- Any changes or modifications to the unit not expressly approved by ALTINEX, Inc. could void the user's authority to operate the equipment.

3. Limited Warranty/Return policies

Please see the ALTINEX website at www.altinex.com for details on warranty and return policies.

4. Technical Specifications

Specifications are subject to change. See www.altinex.com for up-to-date information.

Features/Description	CNK200
Inputs	
Video/Audio	n/a
Outputs	
Video/Audio	n/a
Compatibility	
Cable-Nook Standard and Customizable Plates	CN5000 Series, CNK-IP-100 Series
Snap-In Connectors	All ALTINEX Snap-In Connectors
Accessories Included	
Mounting Hardware	Thumb Screws (2), Mounting Brackets (2)

Table 1. CNK200 General

Mechanical	CNK200
Hole Sets	23
Minimum Table Thickness	0.5 in (13 mm)
Maximum Table Thickness	3.5 in (89 mm)
Housing Dimensions	
Height	4.7 in (119 mm)
Width	6.0 in (153 mm)
Depth	4.7 in (119 mm)
Bezel Dimensions (surface)	
Width	7.9 in (200 mm)
Depth	6.5 in (166 mm)
Color	Black
Material	Aluminum
T° Operating	10°C-35°C
T° Maximum	50°C
Humidity	90% non-condensing
MTBF (calculations)	40,000 hrs (min.)

Table 2. CNK200 Mechanical

5. About Your CNK200

- Installs easily into tabletop
- Convenient access to cables
- Simple, cost-effective interconnect solution
- Fits table surfaces 0.5 - 3.5 in (13 - 89 mm) thick

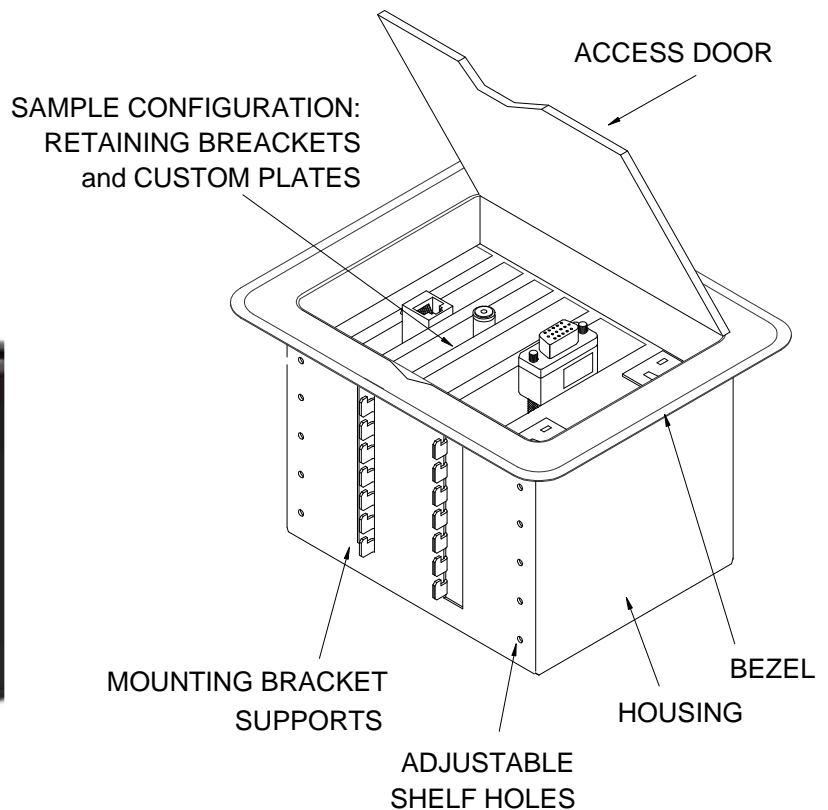
The CNK200 is a simple, effective way of hiding/storing multimedia cables and connectors and is designed for boardrooms and conference rooms. Cables remain connected to a presentation system enabling the user to access connections to AC power, video, audio, and other media sources.

The cables connected to the presentation system underneath the surface can be accessed from the CNK200 by either pulling the cables up and out of the top of the unit (using retaining brackets) or by plugging external cables into sectional plates installed in the CNK200.

Retaining brackets secure cable ends where the brackets can be adjusted to fit a wide variety of cable sizes. Cables are pulled out from the top of the CNK200 when needed and then fed back down under the table when no longer required. The weight of the cables helps to feed the slack through the unit and the cable ends are kept from falling by the retaining brackets.

The CNK200 sectional plates allow for diverse connector configurations. Available plates include combinations of audio, video, computer, and AC power connectors, providing extensive flexibility in a convenient package. The sectional plates connect permanently to the presentation system.

The CNK200 Cable-Nook is designed for use with tables ranging from half an inch to 3.5 in thick. The height of the interior shelf can also be adjusted for different depths. The CNK200 comes in a standard matte black color, or the top of the unit can be finished to match a table on a custom per order basis at an additional charge.



6. Application Diagrams

Diagram 1: Typical Setup

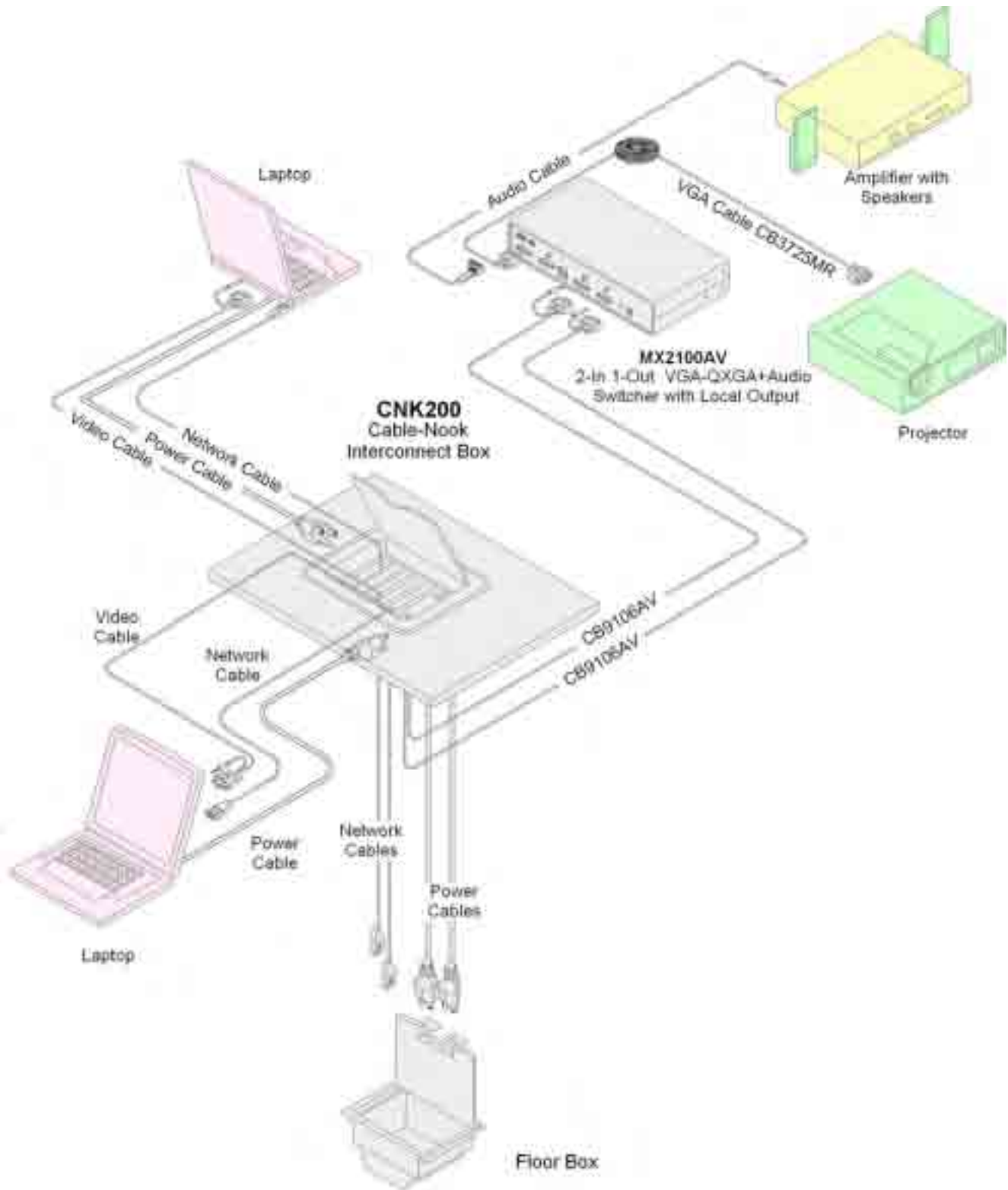


Diagram 2: Dimensions Top and Front

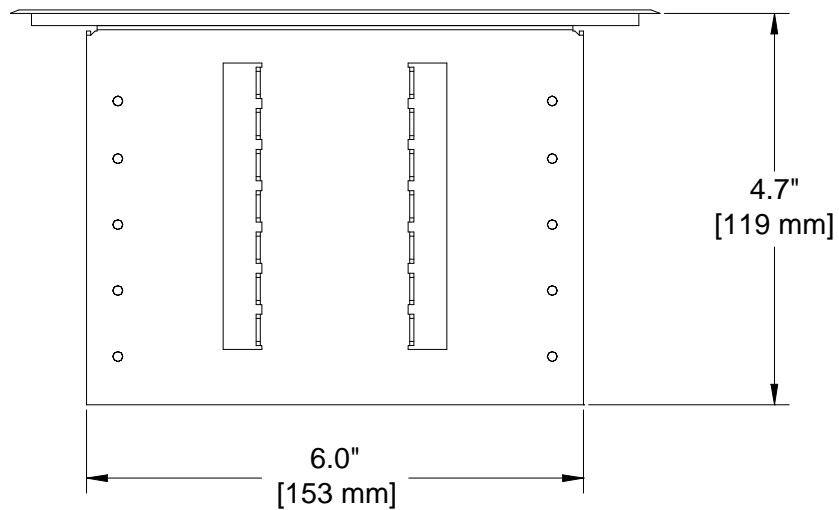
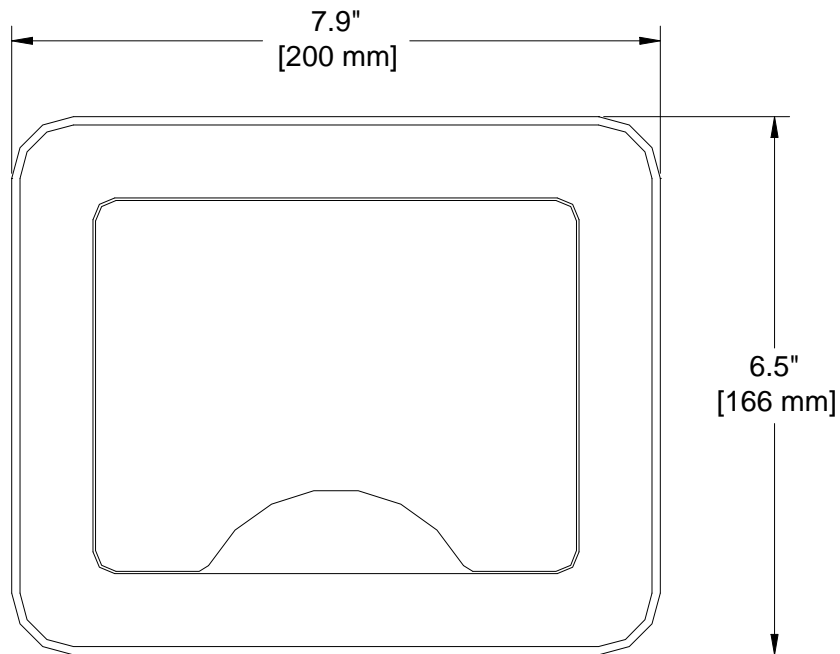


Diagram 3: Side View Dimensions

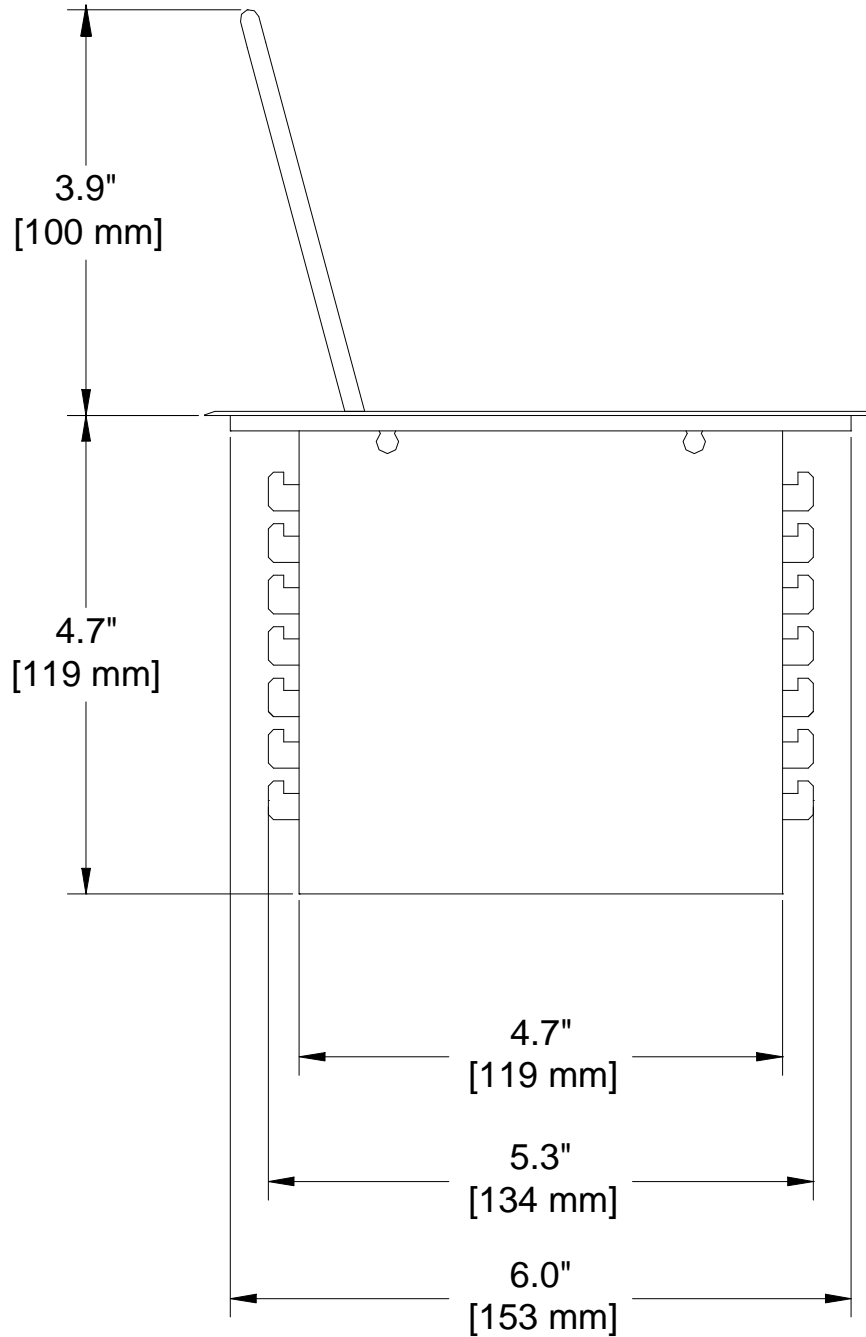


Diagram 4: Cutout

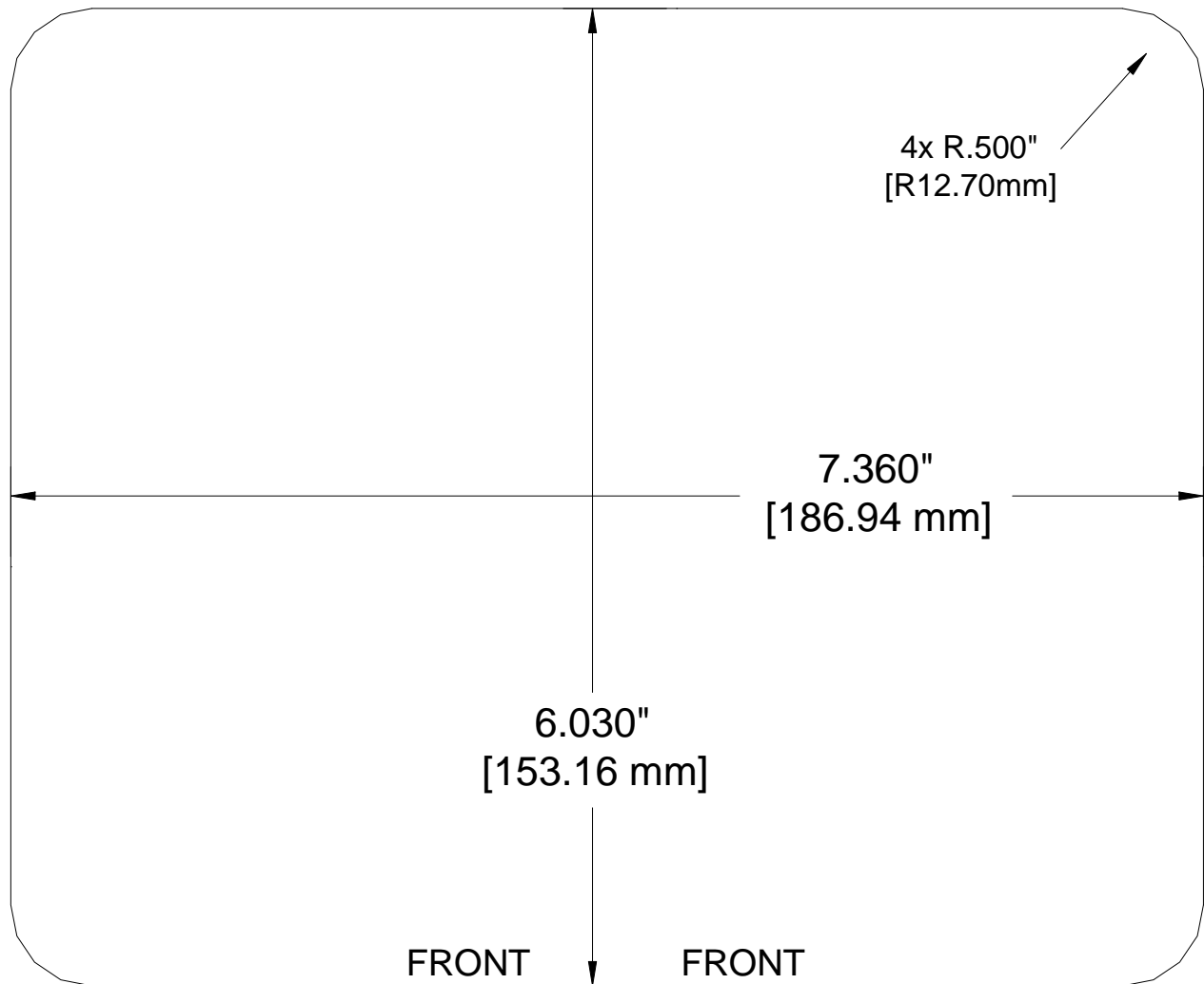


Diagram 5: Twenty-Three (23) Hole Sets

The CNK200 can be customized for virtually any configuration required. Inside, there are 23 hole sets available for installing preconfigured plates, customizable plates, or retaining brackets for holding cables.

In some cases, it is desirable to have the cables reside in the Cable-Nook instead of requiring the user to provide their own cables. In this case, retaining brackets can be positioned to keep cables installed under the table from falling below the Cable-Nook's interior shelf. The user simply pulls out the cable(s) needed and connects them to a laptop, iPod, etc.

Shown below are some typical plate options with retaining brackets. See our website at www.altinex.com for a complete list of available plates and customizable snap-in connectors.

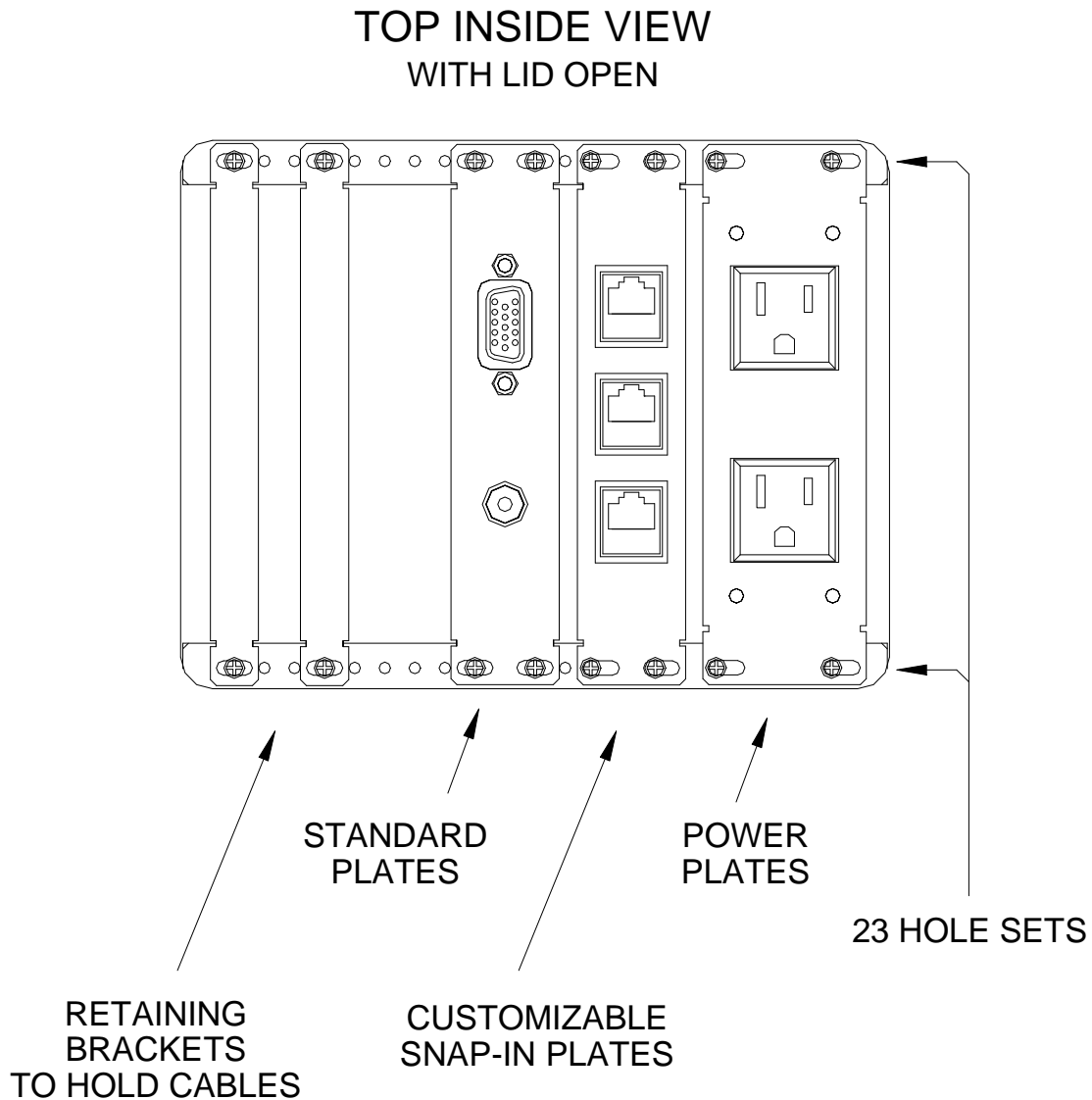


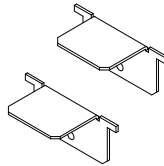
Diagram 6: Mounting

MOUNTING HARDWARE

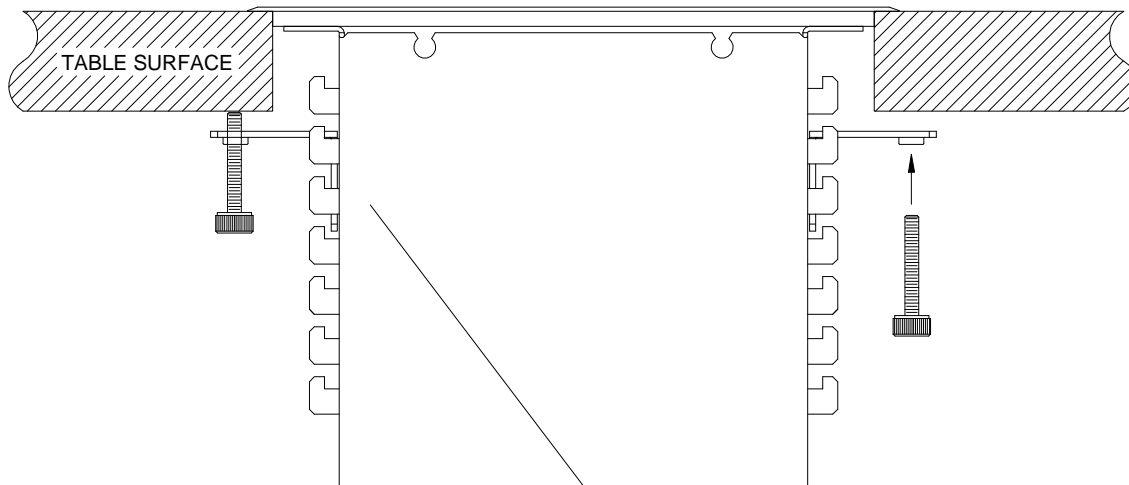
THUMB SCREWS



MOUNTING BRACKETS

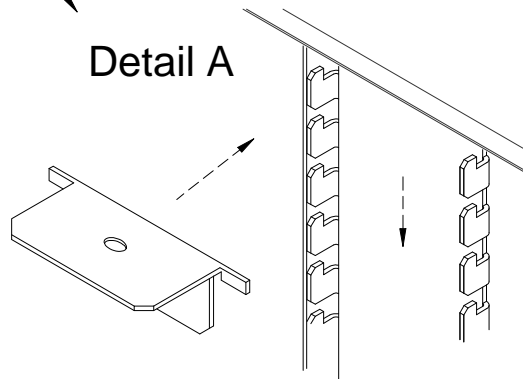


MOUNTING EXAMPLE



- 1 Insert the CNK200 through the opening in the table.
- 2 Place the mounting brackets on the mounting supports as shown in Detail A.
- 3 Insert and tighten thumb screws as shown until the housing is secured to the surface.

Detail A



7. Operation

7.1 Accessing the CNK200

The CNK200 cover opens easily and remains open until all the cables are connected. The cover should be closed with the cables routed through the curved opening to prevent damage to the unit and to prevent liquids from entering the opening.

Additionally, the cover should be closed when not in use to prevent liquids or other debris from damaging the unit.

7.2 Power/Signal Connections

Connect external devices to the appropriate connector from the CNK200. Remember, the devices plugged into the AC power connectors should not draw more than the rated values of the cables and/or circuit.

8. Troubleshooting Guide

The CNK200 supplied was carefully tested and no problems were detected. However, we would like to offer the following suggestions:

- Please make sure that the highest quality network cables are used.
- Make sure that no cable or power cord is damaged or pinched. If there has been damage, do not use the CNK200. Please call the ALTINEX Customer Service Department at (714) 990-2300 to have the unit repaired.