

## Using the Konexx Conference Adapter with Max Wireless and Max EX

### Description

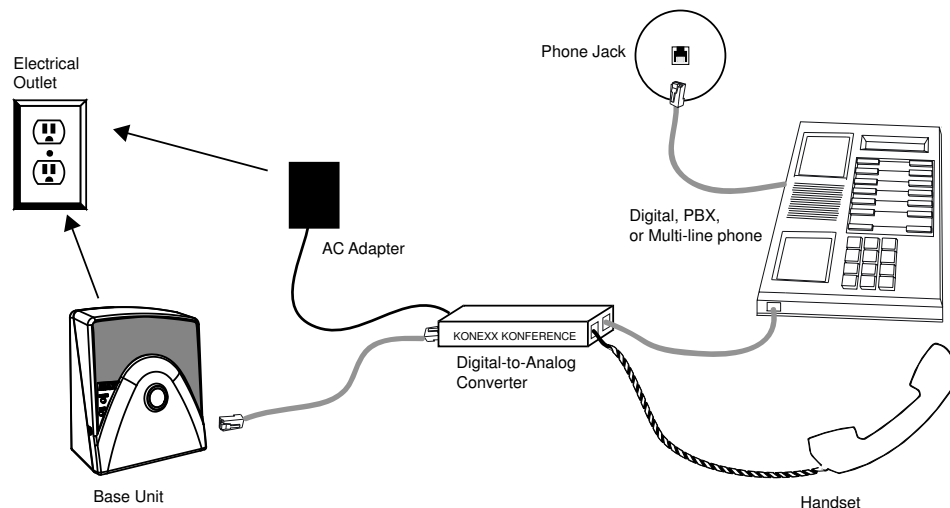
This document describes how to connect and use the Konexx Conference analog-to-digital adapter with the Max Wireless and Max EX conferencing phones.

### Introduction

The Konexx Conference adapter is a simple handset interface that enables analog conferencing phones such as the Max Wireless and Max EX to be connected to a digital phone system or PBX system.

### Hardware Setup

Connect the Max Wireless or the Max EX to the Konexx Conference as shown below.



### Adapter Configuration

The Konexx adapter has a four-position switch that allows you to adjust the adapter to match the impedance of the PBX line. Consult the documentation provided with the Konexx adapter to find the proper setting for your PBX system. Keep in mind the Konexx adapter may not work with some PBX manufacturers. For best results ClearOne recommends using an analog phone line from the local telephone provider or an analog emulation from the PBX.

### Placing a Call

The Konexx adapter allows you to access your digital PBX features through the telephone handset, and then connect the call to the Max phone. To begin, place a call on the handset. If you are going to set up a multipoint call using the PBX conference function, bring all the parties into the call while on the handset. Once the call is set up, turn on the Max phone to transfer the audio from the handset to the conferencing phone. Do not put the handset in the cradle, as this will disconnect the call.

### Konexx Web Site

For more information on the Konexx Conference adapter visit the Konexx web site.

<http://www.konexx.com/konference.htm>