

CON-RJ45-2 Specifications

Shielded RJ-45 Connector for CAT.7 Cable

Applicable Standards: TIA/EIA-568C.2.
 Max Current/Voltage: 2A/250V
 Contact resistance: 20m ohms
 Insulation resistance: 100M ohms
 Temperature rating (min/max): -20/70 °C
 Max. Insertion/Extractions: 200 mating cycles
 Weight: 6.3g/pcs

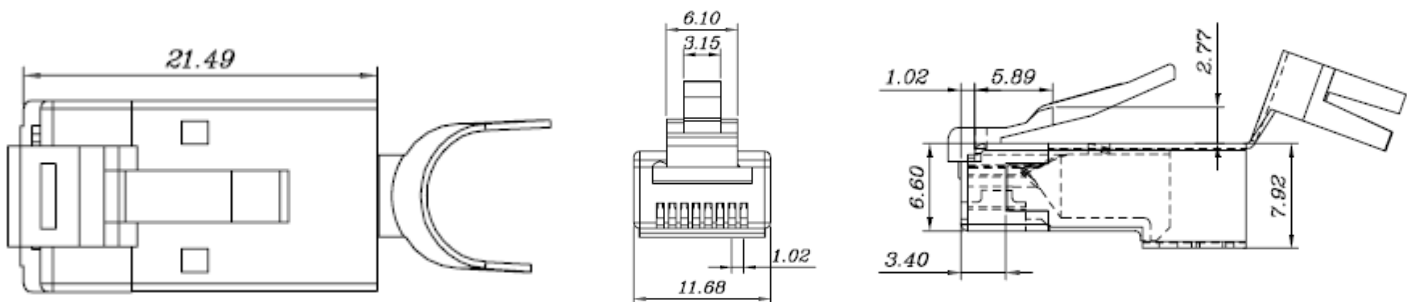
Material/finish:

- (A) Plug Housing: Polycarbonate, UL94-V0
- (B) Contacts: Copper
- (C) Rear Shield: Copper
- (D) Inner Ferrule: Polycarbonate

Wire AWG min/max (solid/stranded): 24AWG to 22AWG
 Conductor diameter (min/max): 0.40/0.58mm
 Cord diameter (max): 1.50mm



Mechanical dimensions



Ordering information: CON-RJ45-2 (Minimum Purchase, 10 Units)

Accessories-Connector Boot for RJ-45 plug:

Model	Description
CB-BLUE	10 Cable Boots - Blue (99-9204501)
CB-GRAY	10 Cable Boots - Gray (99-9204502)
CB-GREEN	10 Cable Boots - Green (99-9204503)
CB-BLACK	10 Cable Boots - Black (99-9204506)
CB-PURPLE	10 Cable Boots - Purple (99-9204508)