



CP-1283HDT

Dual HDMI to Component & Audio Converter



Operation Manual

DISCLAIMERS

The information in this manual has been carefully checked and is believed to be accurate. Cypress Technology assumes no responsibility for any infringements of patents or other rights of third parties which may result from its use.

Cypress Technology assumes no responsibility for any inaccuracies that may be contained in this document. Cypress also makes no commitment to update or to keep current the information contained in this document.

Cypress Technology reserves the right to make improvements to this document and/or product at any time and without notice.

COPYRIGHT NOTICE

No part of this document may be reproduced, transmitted, transcribed, stored in a retrieval system, or any of its part translated into any language or computer file, in any form or by any means—electronic, mechanical, magnetic, optical, chemical, manual, or otherwise—without express written permission and consent from Cypress Technology.

© Copyright 2011 by Cypress Technology.

All Rights Reserved.

Version 1.1 August 2011

TRADEMARK ACKNOWLEDGMENTS

All products or service names mentioned in this document may be trademarks of the companies with which they are associated.





SAFETY PRECAUTIONS

Please read all instructions before attempting to unpack, install or operate this equipment and before connecting the power supply.

Please keep the following in mind as you unpack and install this equipment:

- Always follow basic safety precautions to reduce the risk of fire, electrical shock and injury to persons.
- To prevent fire or shock hazard, do not expose the unit to rain, moisture or install this product near water.
- Never spill liquid of any kind on or into this product.
- Never push an object of any kind into this product through any openings or empty slots in the unit, as you may damage parts inside the unit.
- Do not attach the power supply cabling to building surfaces.
- Use only the supplied power supply unit (PSU). Do not use the PSU if it is damaged.
- Do not allow anything to rest on the power cabling or allow any weight to be placed upon it or any person walk on it.
- To protect the unit from overheating, do not block any vents or openings in the unit housing that provide ventilation and allow for sufficient space for air to circulate around the unit.

REVISION HISTORY

VERSION NO.	DATE DD/MM/YY	SUMMARY OF CHANGE
VR0	14/04/11	Preliminary Release
VS1	26/07/12	Updated format/diagrams Reworded statements



CONTENTS

1. Introduction	1
2. Applications	1
3. Package Contents	1
4. System Requirements	1
5. Features	2
6. Operation Controls and Functions	3
6.1 Front Panel	3
6.2 Rear Panel.....	4
6.3 Remote Control.....	4
7. Connection Diagram	5
8. Specifications	6
9. Acronyms	7





1. INTRODUCTION

The Dual HDMI to Component & Audio Converter allows the conversion of HDMI sources to component (YUV) and de-embedded stereo audio signals. It can switch between two HDMI sources and outputs both digital (COAX) and analog audio signals simultaneously, as well as supporting HD resolutions up to 1080p (output resolution is dependent on input).

Note: Only non-HDCP signals can be converted.

2. APPLICATIONS

- Convert (non-HDCP) HDMI/DVI signals for integration into analog systems
- HDMI or DVI (with adaptor cable) signal display on analog display
- De-embedded HDMI audio signals and output to digital or analog audio systems
- Converting an HDMI signal to an analog signal

3. PACKAGE CONTENTS

- 1×Dual HDMI to Component Converter
- 1×Remote Control (CR-23)
- 1×5 V/1 A Power Adaptor
- Operation Manual

4. SYSTEM REQUIREMENTS

HDMI source and HDMI/YUV cables into component input on a display or system, audio output to AV receiver or active speakers via RCA cables.

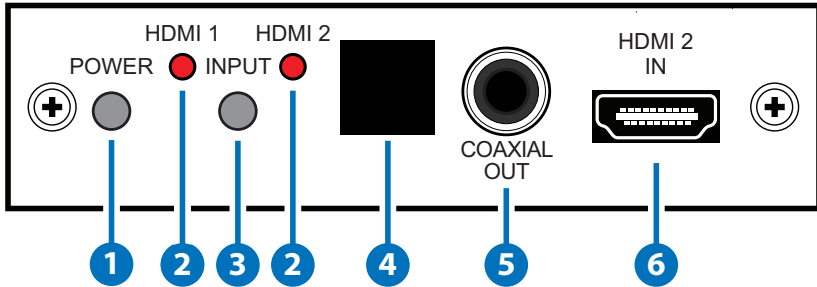
5. FEATURES

- HDMI and DVI 1.0 compliant
- Supports 2 HDMI inputs and 2 audio outputs (digital coaxial, analog L/R)
- Supports HDMI input (8/10/12-bit), component output supports 8-bit
- Supports DVI Input when using an HDMI to DVI adaptor
- HDMI audio input supports LPCM 2CH and supports sampling rates from 32 kHz to 192 kHz
- Component output support tri-level sync for 720p, 1080i and 1080p
- Built-in EDID

Note: This product does not process HDCP encrypted input signals. There will be no video output when the input signal contains content that is HDCP encrypted.

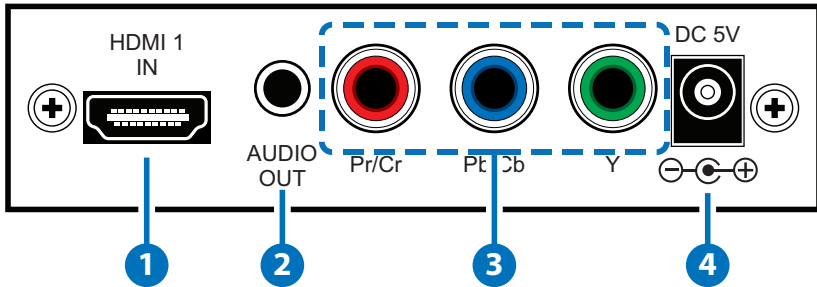
6. OPERATION CONTROLS AND FUNCTIONS

6.1 Front Panel



- 1 POWER:** Press this button to turn the device ON, press again to put the device into standby mode.
- 2 HDMI 1/2:** These LEDs will illuminate according to the selected input.
- 3 INPUT:** Press this button to select the input sources from HDMI 1 or 2.
- 4 IR Sensor:** This IR Sensor only receives the IR signal from the remote control included in this package
- 5 COAXIAL OUT:** Digital audio output. Connect to active speakers or to an AV receiver for audio output.
- 6 HDMI 2 IN:** Connect to an HDMI source such as a DVD or Blu-ray player.

6.2 Rear Panel

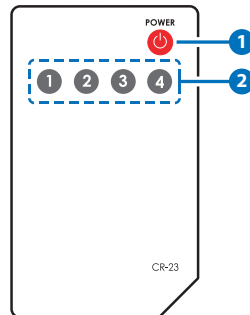


- 1 HDMI 1 IN:** Connect to an HDMI source such as a DVD or Blu-ray player.
- 2 AUDIO OUT:** Connect to active speakers or an AV receiver for stereo analog audio output with 3.5mm jack cable.
- 3 YUV Out:** Connect to a component (YUV) display for analog video signal output with RCA connection cables.
- 4 DC 5V:** Plug the 5V DC power supply included in the package into the unit and connect the adaptor to AC wall outlet.

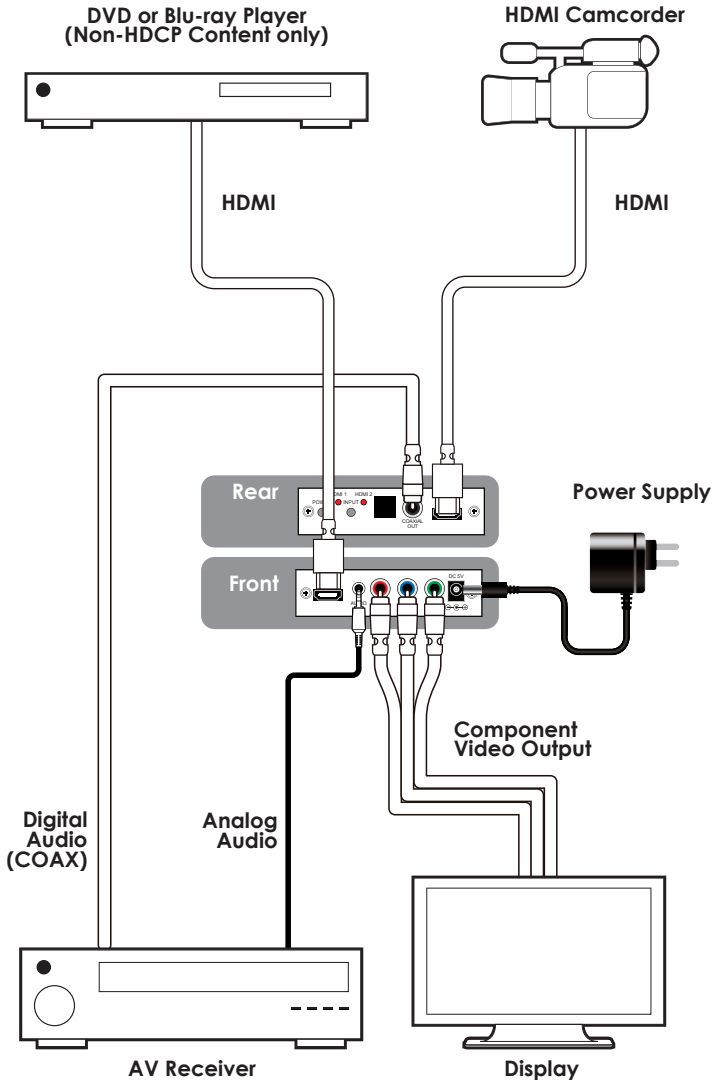
6.3 Remote Control

- 1 POWER:** Press this button to switch the device ON or to put it into standby mode.
- 2 Selection 1 and 2:** Press 1 or 2 to select the desired HDMI input.

Note: 3 & 4 are not functioning.



7. CONNECTION DIAGRAM



8. SPECIFICATIONS

Video Frequency	225MHz/6.75Gbps
Input Ports	2×HDMI
Output Ports	1×3 RCA (YPbPr), 1×Analog L/R 3.5mm jack, 1×Coaxial
Output Signal	Y: 1 V _{p-p} 75Ω Pb/Pr: 0.7 V _{p-p} 75Ω
Input/Output Resolution	HD: 480i/p@60, 576i/p@50, 720p@50/60, 1080i/p@50/60, 1080p@24
HDMI Audio Input	LPCM 2CH
HDMI Input Color Space	RGB, Y444, Y422
ESD Protection	Human body model: ±8kV (air-gap discharge) ±4kV (contact discharge)
Power Supply	5V DC/1A linear power adaptor (US/EU standards, CE/FCC/UL certified) Or 5V/1.2A switching power adaptor (with universal plug, CE/FCC/UL certified)
Dimensions	102 mm (W)×90 mm (D)×25 mm (H)
Weight	220 g
Chassis Material	Aluminum
Silkscreen Color	Silver
Operating Temperature	0 °C~40 °C/32 °F~104 °F
Storage Temperature	-20 °C~60 °C/-4 °F~140 °F
Relative Humidity	20~90% RH (non-condensing)
Power Consumption	2.5 W

9. ACRONYMS

ACRONYM	COMPLETE TERM
DVI	Digital Visual Interface
HDCP	High-bandwidth Digital Content Protection
HDMI	High-Definition Multimedia Interface
YUV	Component Video
YPbPr	High-Definition Component Video
YCbCr	Standard Component Video



CYPRESS TECHNOLOGY CO., LTD

Home page: <http://www.cypress.com.tw>