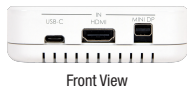


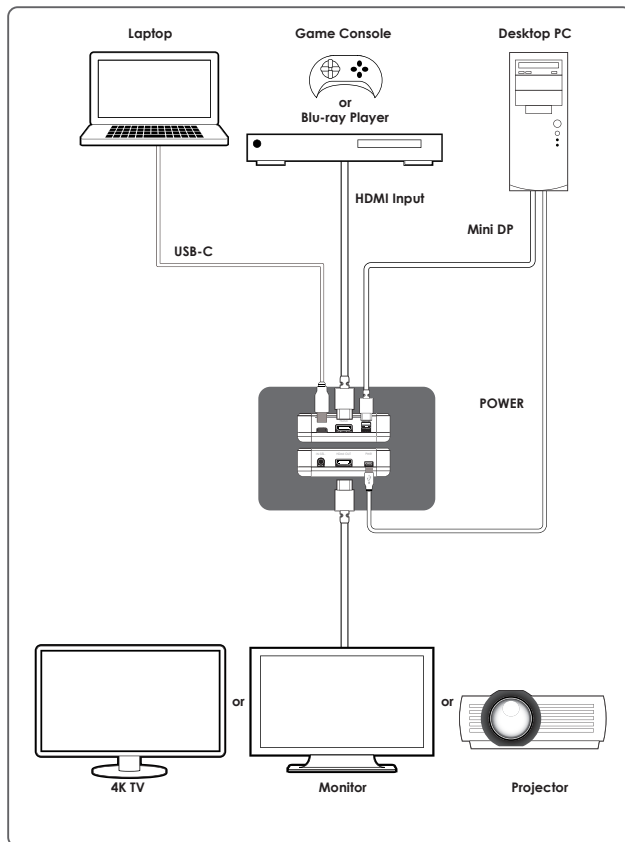


This 3x1 Multi-Format to HDMI Switch is a 4K@60Hz (4:4:4) switcher featuring USB Type-C, HDMI and Mini DisplayPort inputs which are automatically converted to a standard HDMI format for use with projectors or displays. This unit provides easy switching functionality with both a manual input selection button and an optional auto-sensing “last memory” feature which can automatically switch to a newly connected source or revert to the previous source, if the current one becomes disconnected, with no user intervention necessary. This switcher is an ideal addition to any conference room, lecture hall or home entertainment setup with its portable and easy to install design. This unit is controllable via a single front panel button.

PANELS



DIAGRAM



FEATURES

- EDID bypass with an optimized algorithm to ensure optimal resolution and feature support
- Easy to read LEDs to indicate input selection and operational mode
- Small and portable switch box design
- Controllable via a single front panel button with LEDs

SPECIFICATIONS

Interfaces

Input Port	1 USB-C 1 Mini DP 1 HDMI
Output Port	1 HDMI
Service Port	1 USB (Mini USB)

Video

HDMI Compliance	HDMI 2.0 (DP 1.4) (DVI 1.0)
HDCP Compliance	2.2
Input Signal Types	4K@60 8bit YUV 4:4:4
Output Signal Types	4K@60 8bit YUV 4:4:4

Resolutions

Maximum Input	HDMI 4096×2160p@60
	MINI DP 4096×2160p@60
	USB-C 4096×2160p@60
Maximum Output	HDMI 4096×2160p@60

Audio

Input	LPCM (8 Channels), Bitstream, High Bit Rate Bitstream
Output	LPCM (8 Channels), Bitstream, High Bit Rate Bitstream

Power

Power Supply	5V/1.2A (Mini USB)
Power Consumption	4.7W

Enclosure

Chassis Material	Plastic
Chassis Color	White
Dimensions (W×H×D)	85mm×26mm×85mm [Case Only] 85mm×26mm×87mm [All Inclusive]
Weight	80g

Field Firmware Update

Mini USB

ORDERING INFORMATION

Model No.	Product Description
CPLUS-31PS	UHD+ Multi-Format to HDMI Output Switcher