

# Parts

A



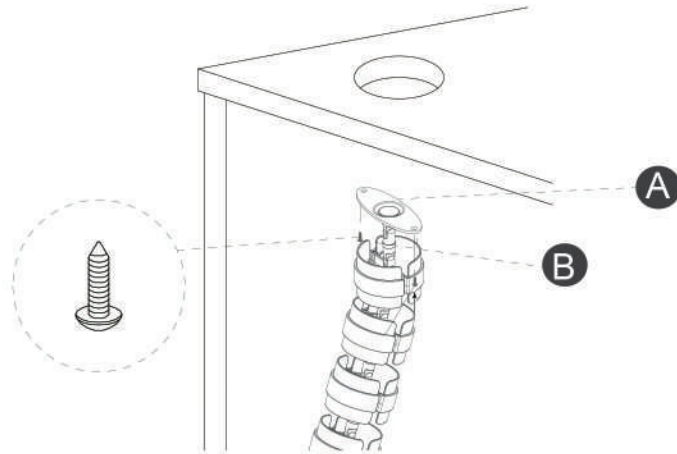
x1

B

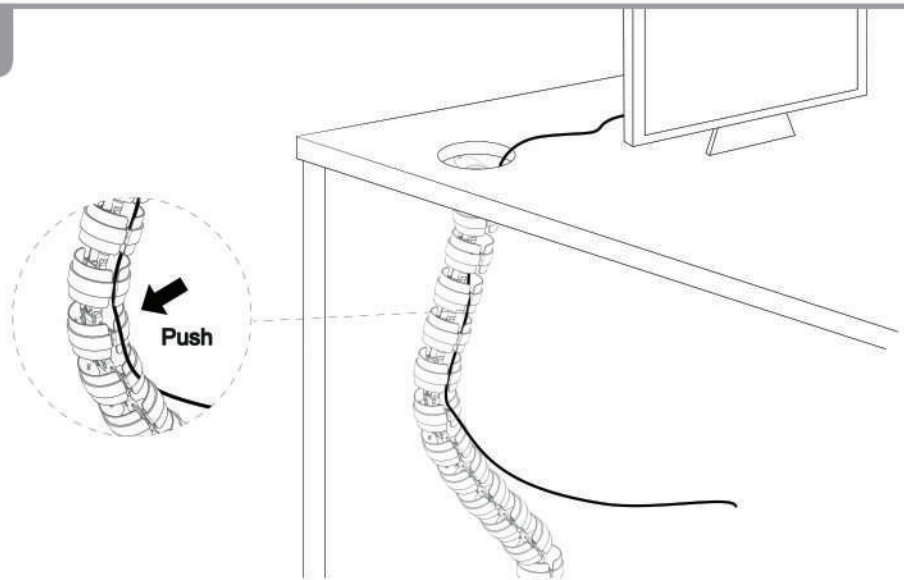


x2

1



2



3

