



# CSDI-42

4 by 2 Switcher/Splitter



Operation Manual



## **DISCLAIMERS**

The information in this manual has been carefully checked and is believed to be accurate. Cypress Technology assumes no responsibility for any infringements of patents or other rights of third parties which may result from its use.

Cypress Technology assumes no responsibility for any inaccuracies that may be contained in this document. Cypress also makes no commitment to update or to keep current the information contained in this document.

Cypress Technology reserves the right to make improvements to this document and/or product at any time and without notice.

## **COPYRIGHT NOTICE**

No part of this document may be reproduced, transmitted, transcribed, stored in a retrieval system, or any of its part translated into any language or computer file, in any form or by any means—electronic, mechanical, magnetic, optical, chemical, manual, or otherwise—without express written permission and consent from Cypress Technology.

© Copyright 2011 by Cypress Technology.

All Rights Reserved.

Version 1.1 August 2011

## **TRADEMARK ACKNOWLEDGMENTS**

All products or service names mentioned in this document may be trademarks of the companies with which they are associated.





## SAFETY PRECAUTIONS

Please read all instructions before attempting to unpack, install or operate this equipment and before connecting the power supply.

Please keep the following in mind as you unpack and install this equipment:

- Always follow basic safety precautions to reduce the risk of fire, electrical shock and injury to persons.
- To prevent fire or shock hazard, do not expose the unit to rain, moisture or install this product near water.
- Never spill liquid of any kind on or into this product.
- Never push an object of any kind into this product through any openings or empty slots in the unit, as you may damage parts inside the unit.
- Do not attach the power supply cabling to building surfaces.
- Use only the supplied power supply unit (PSU). Do not use the PSU if it is damaged.
- Do not allow anything to rest on the power cabling or allow any weight to be placed upon it or any person walk on it.
- To protect the unit from overheating, do not block any vents or openings in the unit housing that provide ventilation and allow for sufficient space for air to circulate around the unit.

## REVISION HISTORY

VERSION NO.	DATE DD/MM/YY	SUMMARY OF CHANGE
VR0	10/03/11	Preliminary Release
VR1	17/01/12	RS-232 Power Command
VS1	11/07/12	Updated format/diagramsSDI standards
VS2	13/07/12	First release
VR3	08/08/12	Add RS-232 Input Command



# CONTENTS

<b>1. Introduction</b> .....	1
<b>2. Applications</b> .....	1
<b>3. Package Contents</b> .....	1
<b>4. System Requirements</b> .....	1
<b>5. Features</b> .....	2
<b>6. Operation Controls and Functions</b> .....	3
6.1 Front Panel .....	3
6.2 Rear Panel.....	4
6.3 RS-232 Protocols .....	5
6.4 Remote Control.....	6
<b>7. Connection Diagram</b> .....	7
<b>8. Specifications</b> .....	8
<b>9. Acronyms</b> .....	9





## 1. INTRODUCTION

The 3G-SDI 4 by 2 Switcher/Splitter allows SD-SDI, HD-SDI and 3G-SDI signals to be switched from up to four SDI sources and split to two SDI outputs while ensuring high bit rates of 2.970 Gbit/s to give you high bandwidth signal transmission without signal loss over long distances and can be controlled via IR or RS-232.

## 2. APPLICATIONS

- Video broadcasting display
- Professional video program display
- Film studios program monitoring
- Video program switching display

## 3. PACKAGE CONTENTS

- 3G-SDI 4 by 2 Switcher/Splitter
- Remote Control (CR-23)
- 5V/2.6A DC Power Adaptor
- Operation Manual

## 4. SYSTEM REQUIREMENTS

SDI source inputs (such as broadcast video cameras or recording device) and SDI output displays (such as TVs or monitors).

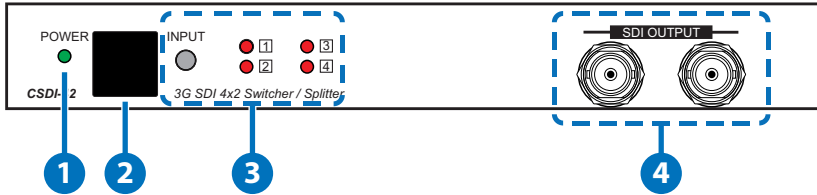
## 5. FEATURES

- Switch between four 3G-SDI input sources and split the output to two 3G-SDI displays simultaneously
- Operation at 2.970Gb/s, 2.970/1.001 Gb/s, 1.485Gb/s, 1.485/1.001 Gb/s and 270 Mb/s
- Supports SMPTE 425M (Level A and Level B), SMPTE 424M, SMPTE 292M, SMPTE 259M-C
- Provides equalized and re-clocked transmission
- Control via RS-232, IR remote control (supplied) and on-panel buttons
- Supports signal input and output distances of up to 300m for SD signals, 200m for HD signals and 100m for 3G signals.

**Note:** *Tested with Belden 1694A Cable. Operating distances may vary if used with cables of different specifications.*

## 6. OPERATION CONTROLS AND FUNCTIONS

### 6.1 Front Panel



#### 1 Power LED

The LED will illuminate green when the device is connected to a power supply.

#### 2 IR receiver

IR receiver window receives IR commands from the supplied remote control.

#### 3 SDI Input select/Indicator LEDs 1~4

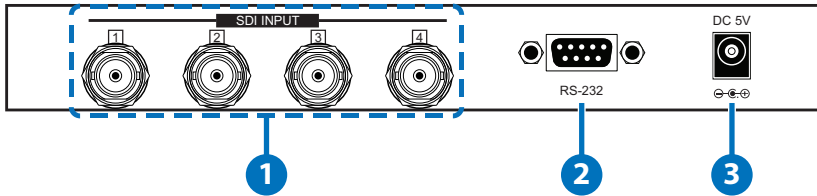
Press the input button repeatedly to cycle through the SDI input sources, the red LED will illuminate to indicate which input source is currently selected. When the device is in 'Standby' mode, press this button to power on the device.

#### 4 SDI OUTPUT

Connect to up to two SDI TVs or monitors for mirrored display or to second splitter to cascade the SDI signal to multiple displays or devices.



## 6.2 Rear Panel



### 1 SDI INPUT

Connect up to four SDI source devices such as a video camcorders or SDI players. Accepts SD,HD or 3G SDI signals.

### 2 RS-232

Connect to a PC/laptop or RS-232 enabled device with a D-Sub 9-pin cable to control the unit with RS-232 commands (refer to Section 6.3 'RS-232 Protocols' ).

### 3 DC 5V


Plug the 5V DC power supply into the unit and connect the adaptor to AC wall outlet.

## 6.3 RS-232 Protocols

### 6.3.1 Pin Assignment

Pins definition of modem cable

3G-SDI 4 by 4 Switcher/ Splitter		Remote Controller	
PIN	Definition	PIN	Definition
1	NC	1	NC
2	TxD	2	RxD
3	RxD	3	TxD
4	NC	4	NC
5	GND	5	GND
6	NC	6	NC
7	NC	7	NC
8	NC	8	NC
9	NC	9	NC



Baud Rate: 19200bps

Data bit: 8-bits

Parity: None

Stop bit: 1-bit

Flow Control: None

### 6.3.2 Commands

Command	Action
poweroff	Power OFF
poweron	Power ON
input01	Input selection 1
input02	Input selection 2
input03	Input selection 3
input04	Input selection 4
?input	Inquire Current Input selection

**Note:** All the RS-232 command will be not executed unless followed with a carriage return. Commands are Case-Sensitive.

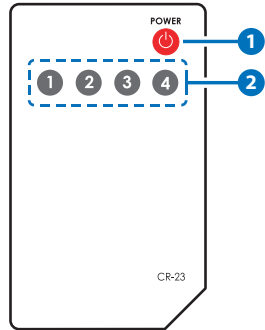
## 6.4 Remote Control

### 1 Power

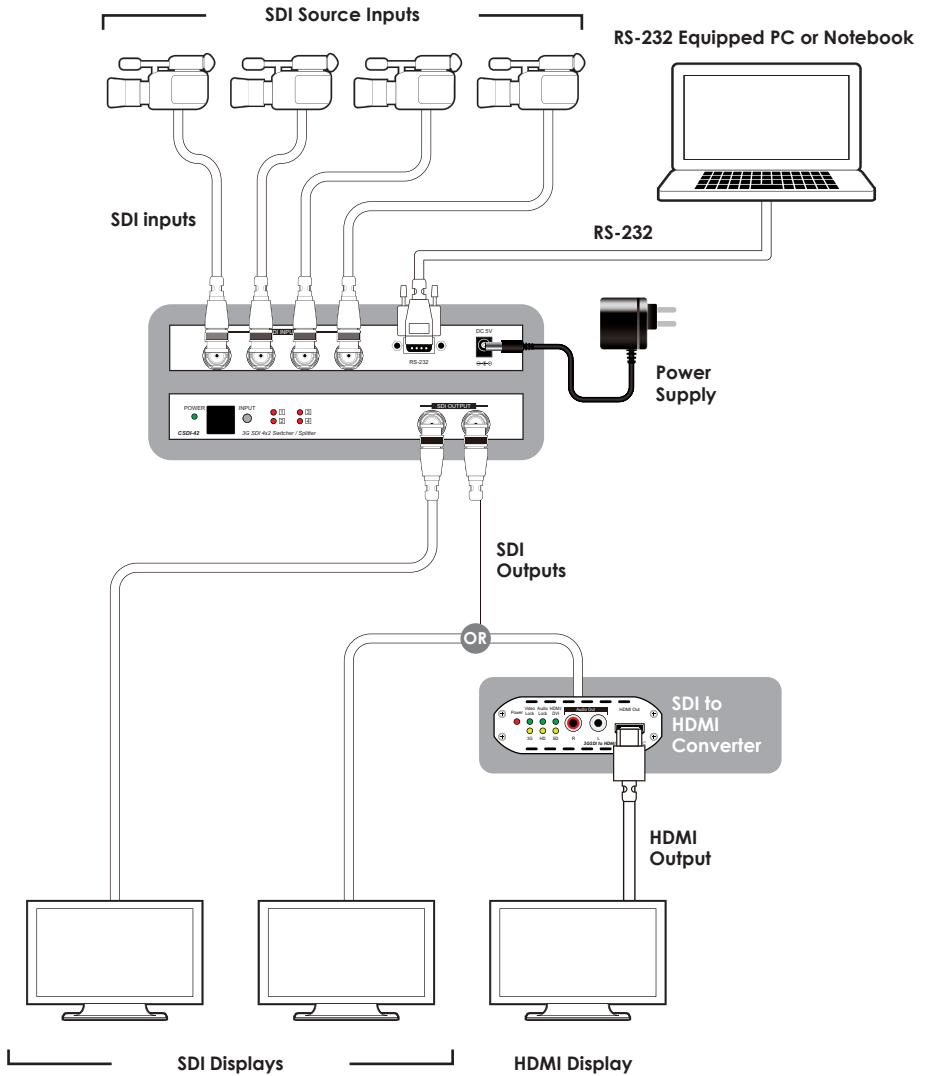
Press the button to turn the unit ON or to standby mode.

### 2 Direct Input Selector

Press 1, 2, 3 or 4 to select the required input source. When the device is in 'Standby', press any button to turn the device on.



## 7. CONNECTION DIAGRAM



## 8. SPECIFICATIONS

<b>SMPTE Standard</b>	425M Level A & B, 424M, 292M, 259M-C
<b>SDI Transmission Rates</b>	2.970 Gbit/s and 2.970/1.001 Gbit/s
<b>Input</b>	4×BNC (SD/HD/3G-SDI)
<b>Output</b>	2×BNC (SD/HD/3G-SDI)
<b>SDI Timing Support</b>	SD-SDI: SMPTE 259M-C, 270 Mbit/s  HD-SDI: SMPTE 292M, 1.485 & 1.485/1.001 Gbit/s  3G-SDI: SMPTE 424M/425M-AB, 2.970 & 2.970/1.001 Gbit/s
<b>Power Supply</b>	5V DC/2.6 A (US/EU standards, CE/FCC/UL certified)
<b>ESD Protection</b>	Human body model: ±8kV (air-gap discharge) ±4kV (contact discharge)
<b>SDI Cable Distance</b>	3G-SDI up to 100m (BELDEN 1694A) HD-SDI up to 200m (BELDEN 1694A) SD-SDI up to 300m (BELDEN 1694A)
<b>Dimensions</b>	200mm (W)×138mm mm(D)×30mm (H)
<b>Weight</b>	900g
<b>Chassis Material</b>	Metal
<b>Silkscreen Color</b>	Black
<b>Operating Temperature</b>	0 °C~40 °C/32 °F~104 °F
<b>Storage Temperature</b>	-20 °C~60 °C/-4 °F~140 °F
<b>Relative Humidity</b>	20~90% RH (Non-condensing)
<b>Power Consumption</b>	5W

## 9. ACRONYMS

ACRONYM	COMPLETE TERM
<b>3G</b>	Bandwidth 2.97Gbit/s $\approx$ 3G
<b>BNC</b>	Bayonet Neill-Concelman
<b>HDMI</b>	High Definition Multimedia Interface
<b>SDI</b>	Serial Digital Interface





**CYPRESS TECHNOLOGY CO., LTD**

Home page: <http://www.cypress.com.tw>