



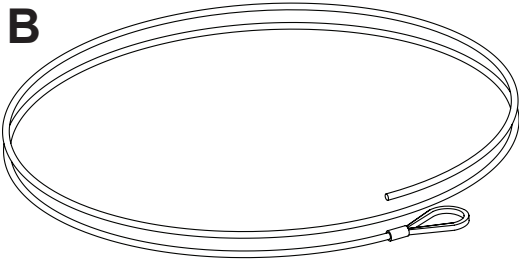
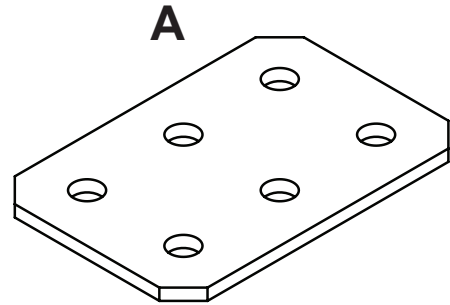
Installation and Assembly: Cable Release Kit

Model: DS-ACC760

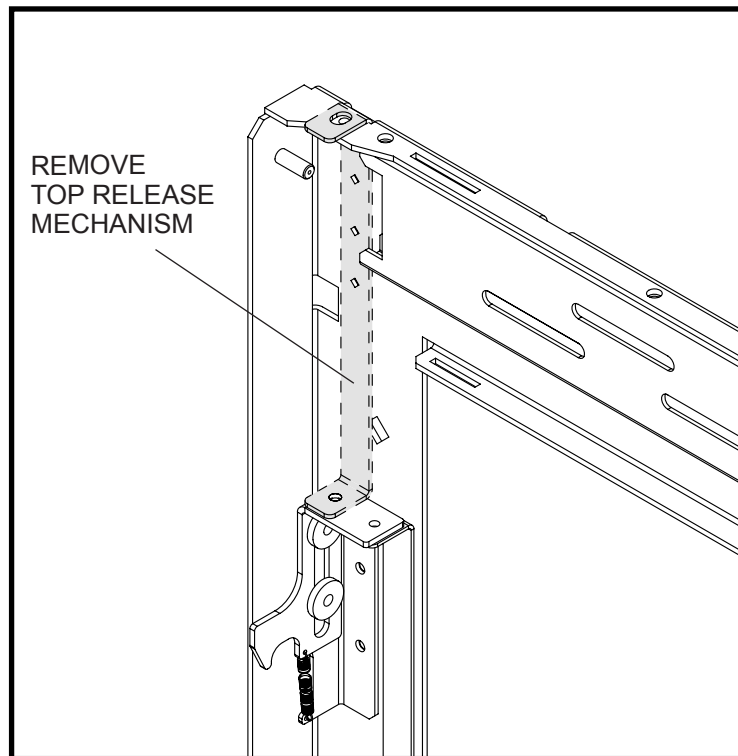
NOTE: Read entire instruction sheet before you start installation and assembly.

Parts List		
Description	Qty.	Part #
A fastener piece	4	145-1144
B cable	4	600-0153

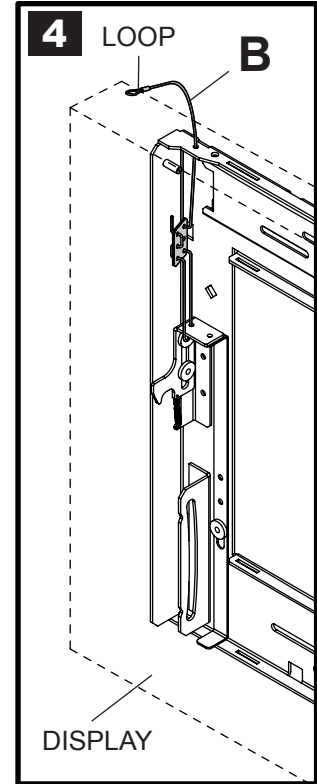
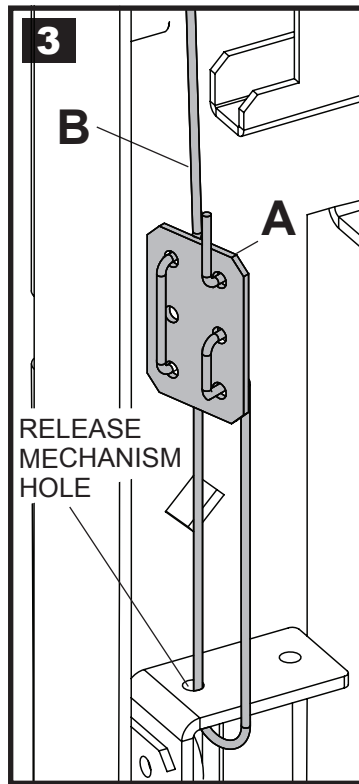
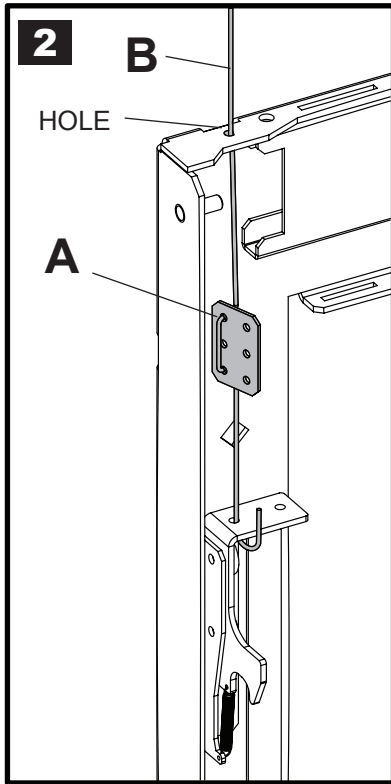
Before you start make sure all parts listed are included with your product.



- 1 Remove top release mechanism from right and left side of video wall mount assembly wall plate.



2. Run cable (B) through hole in video wall mount assembly and fastener piece (A) as shown.
 3. Run cable (B) through hole in release mechanism and up through second row of holes in fastener piece (A) as shown.
 4. For easy accessibility: Tape or secure loop end of cable onto top of display or wall.
- REPEAT STEPS WITH OPPOSITE SIDE OF VIDEO WALL MOUNT.**



- 2 Position DS-ACC760 cables in locations as shown. Additional Cable Release Kits may be required if more than three displays are mounted horizontally.

