



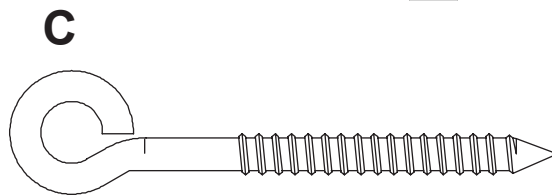
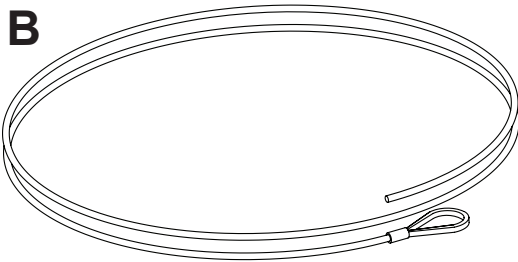
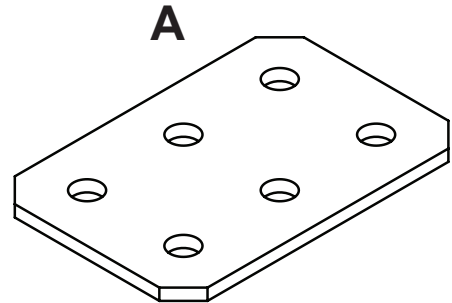
Installation and Assembly: Cable Release Kit

Model: DS-ACC765

NOTE: Read entire instruction sheet before you start installation and assembly.

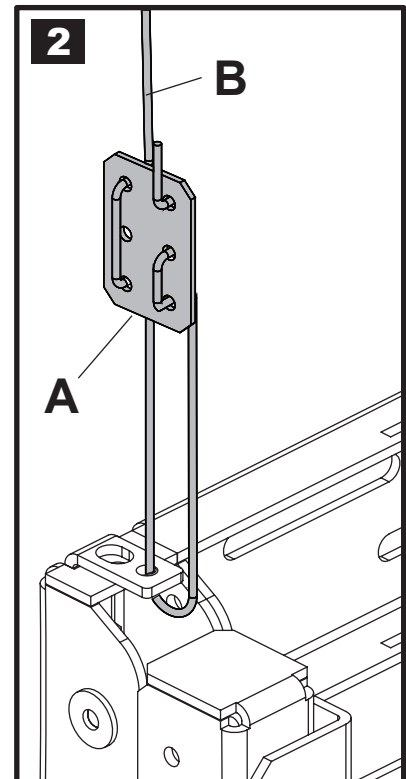
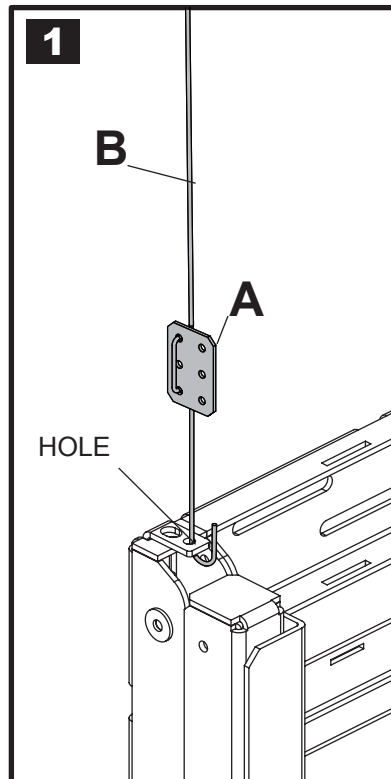
Parts List		
Description	Qty.	Part #
A fastener plate	4	145-1144
B cable	4	600-0226
C eyebolt	4	580-0006

Before you start make sure all parts listed are included with your product.



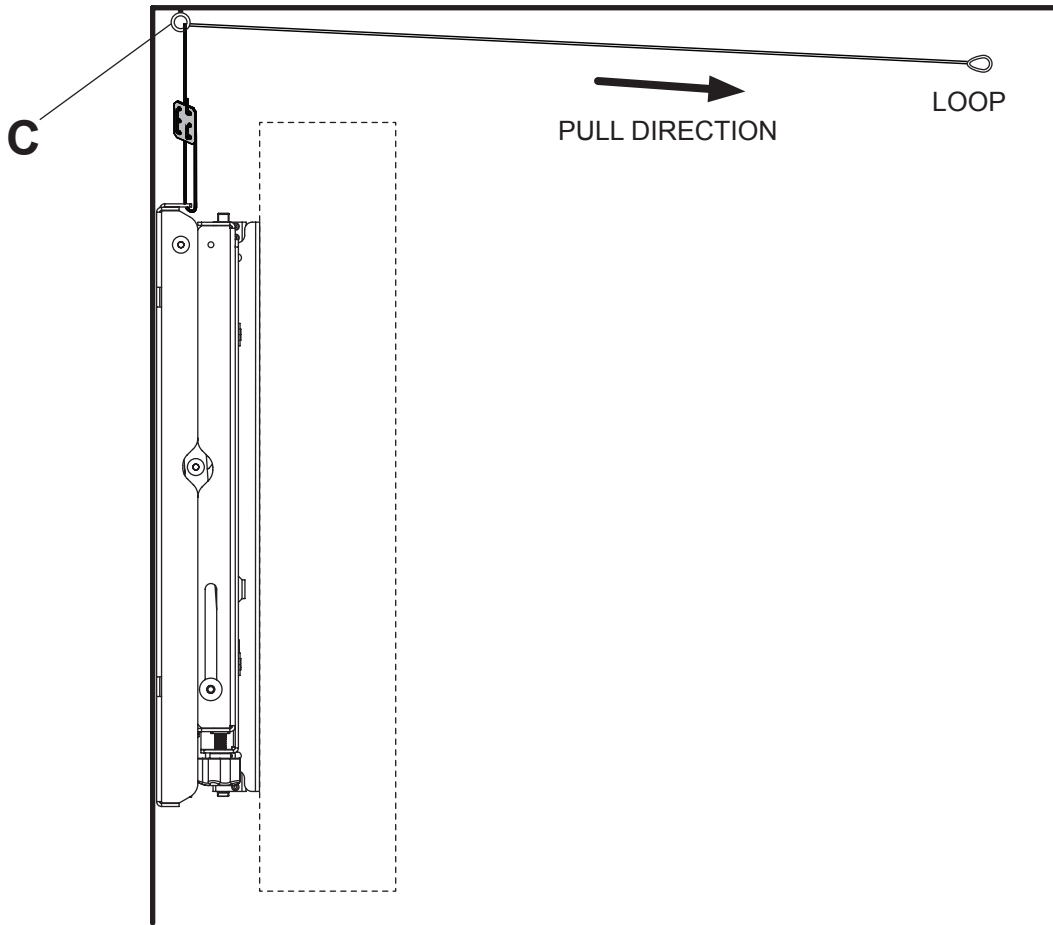
1

1. Run cable (B) through hole in pull-out mount assembly and fastener plate (A) as shown.
 2. Run cable (B) through hole in release mechanism and up through second row of holes in fastener plate (A) as shown.
 3. **For easy accessibility:** Tape or secure loop end of cable onto top of display or wall.
- REPEAT STEPS WITH OPPOSITE SIDE OF VIDEO WALL MOUNT.**



Optional Eyebolt

- 2** If display is placed in recess and cable cannot be pull straight up, use eyebolt (C) in corner.
Run loop end of cable (B) through eyebolt (C) as shown.



- 2** Position DS-ACC765 cables in locations as shown.
Additional Cable Release Kits may be required if more than three displays are mounted horizontally.

