

## DS-ACC770

# Media Player Mounting Bracket

## For full service video wall mounts



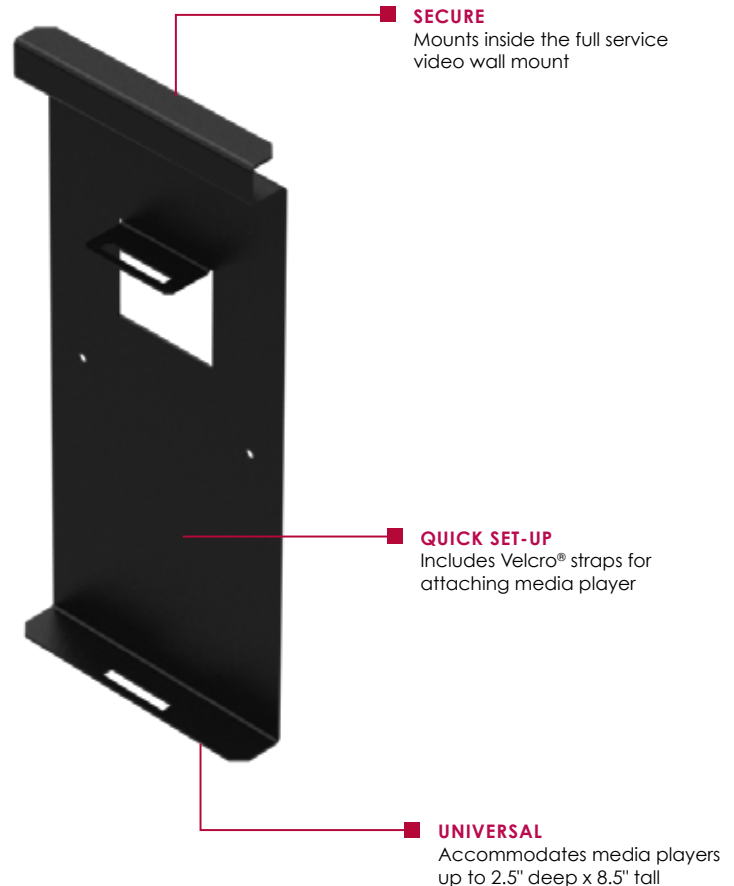
Quickly, securely and inconspicuously house a media player control device behind a full service video wall mount with the Peerless-AV DS-ACC770 Media Player Bracket Accessory. Included Velcro® straps hold the media player in place for easy access and servicing when the display is fully extended from the wall. Secure the display back in its normal operating position and access to the media player is denied, deterring unwanted tampering and theft.



Max load: 25lb (11.3kg)

### FEATURES

- Compatible with Peerless-AV full service video wall mounts DS-VW765-LAND and DS-VW765-POR
- Accommodates media players up to 2.5" deep x 8.5" tall
- Media player can be quickly mounted using the included Velcro® strap
- DS-ACC770 will be mounting inside the full service video wall mount and hidden from view
- Securing of the full service video wall mount will prevent the removal of the media player



Mounted with medial player in DS-VW765-LAND Wall Mount



## Model Numbers

**WARRANTY:** Limited 5-year

**DS-ACC770** Media Player Mounting Bracket for full service video wall mounts

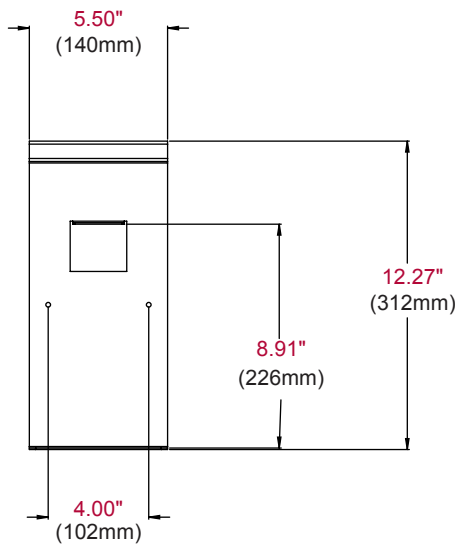
## Product Specifications

	DIMENSIONS (W x H x D)	PRODUCT WEIGHT	LOAD CAPACITY	FINISH	AVAILABLE COLORS
<b>DS-ACC770</b>	5.5" x 12.3" x 1.0" (140 x 312 x 25mm)	1lb (0.45kg)	25lb (11.3kg)	Powder Coat	Black

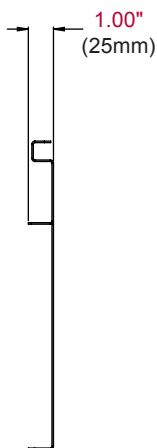
## Package Specifications

	PACKAGE SIZE (W x H x D)	PACKAGE SHIP WEIGHT	PACKAGE UPC CODE	PACKAGE CONTENTS	UNITS IN PACKAGE
<b>DS-ACC770</b>	14.25" x 6.75" x 3.0" (362 x 171 x 76mm)	1.5lb (0.7kg)	735029280156	Wall bracket, Velcro® strap and mounting hardware	1

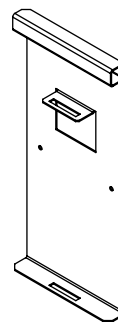
All dimensions = inch (mm)



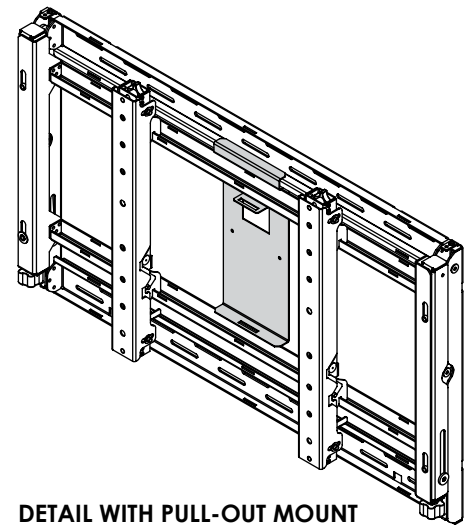
**FRONT VIEW**



**SIDE VIEW**



**ISOMETRIC VIEW**



**DETAIL WITH PULL-OUT MOUNT**

## ARCHITECTS SPECIFICATIONS

The Media Player Mounting Bracket shall be Peerless-AV model DS-ACC770 and shall be located where indicated on the plans. It shall be constructed of heavy gauge steel. The finish shall be scratch resistant black fused epoxy. Assembly and installation shall be done according to instructions provided by the manufacturer.

Peerless Industries, Inc. ■ 2300 White Oak Circle ■ Aurora, IL 60502 ■ (800) 865-2112 ■ (630) 375-5100 ■ Fax: (800) 359-6500 ■ [www.peerless-av.com](http://www.peerless-av.com)

Visit [www.peerless-av.com](http://www.peerless-av.com) to see the complete line of AV solutions from Peerless-AV, including flat panel mounts, projector mounts, carts/stands, furniture, cables, screen cleaners and a full assortment of accessories.