

Installation and Assembly: PC Component Plate for PULL-OUT Video Wall Mounts

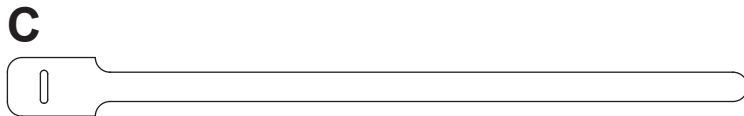
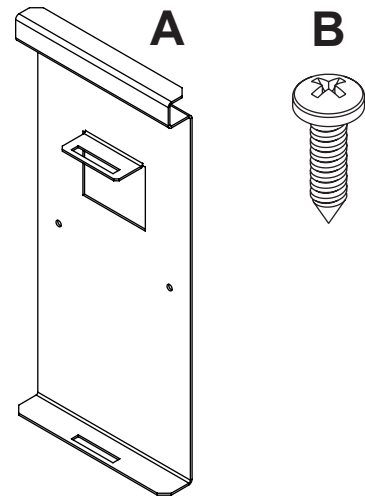
Models: DS-ACC770

IMPORTANT! Read entire instruction sheet before you start installation and assembly.

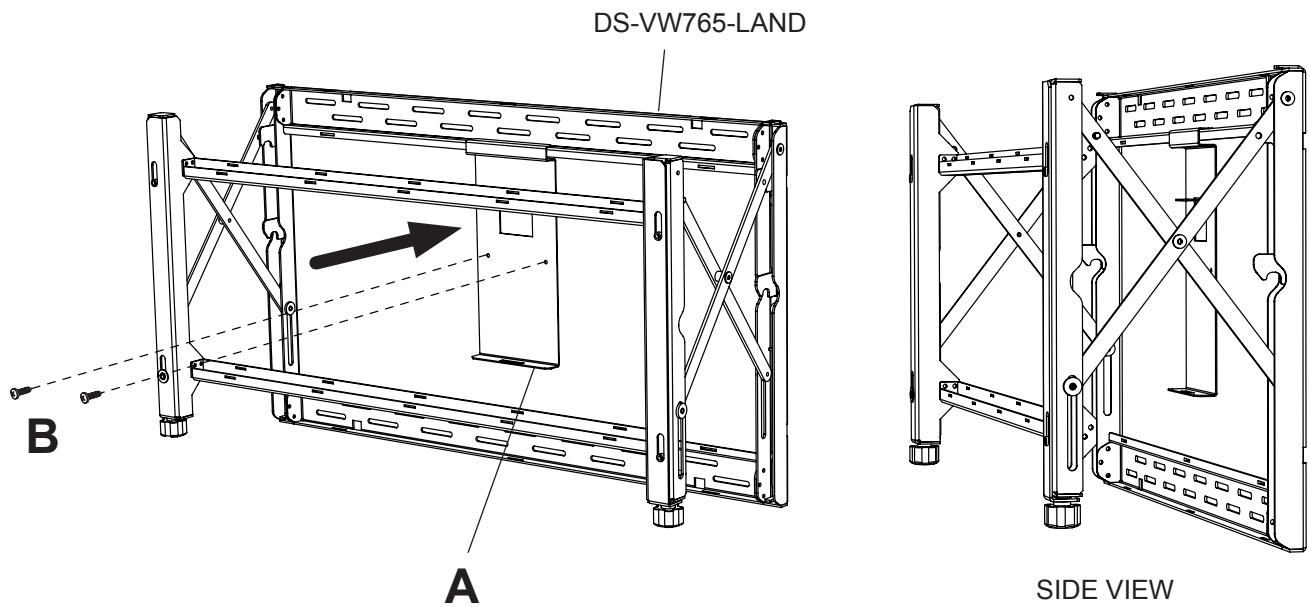
Before you start check the parts list below to make sure all of the parts shown are included.

Parts List

Description	Qty.	Part #
A component plate	1	145-T1407
B #10 x 3/4" wood screw	2	500-9006
C 13" black velcro strip	2	560-0232



- 1 Open DS-VW765-LAND using instructions provided with DS-VW765-LAND. Insert and position component plate (A) as shown. Secure component plate to mounting surface using two screws (B) as shown below.



- 2** Use two 13" black velcro strips (C) to secure PC component to component plate (A).
Use slots in component plate (A) when securing 13" black velcro strips (C).

