

DS-LEDM-A27

# SEAMLESS CONNECT dvLED Mounting System

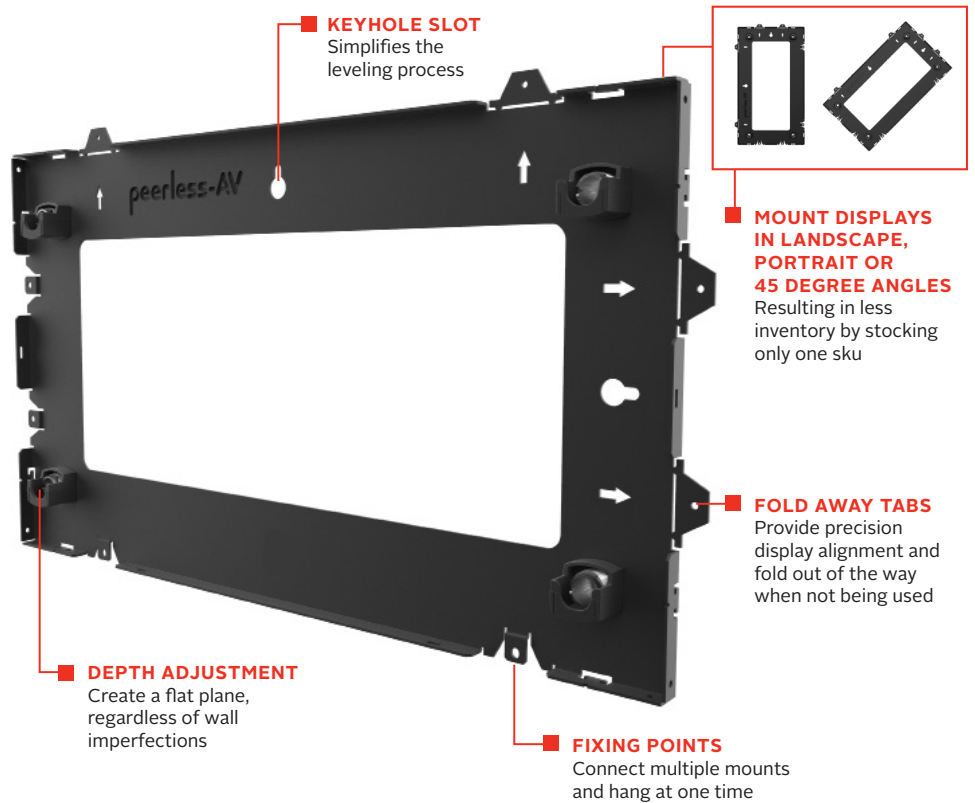
FOR ABSEN ACCLAIM PLUS AND ACCLAIM  
PRO SERIES DIRECT VIEW LED DISPLAYS



Peerless-AV's SEAMLESS Connect Series dvLED Mounting System is designed exclusively for the Absen Acclaim Plus and Acclaim Pro Series Direct View LED Displays. Offering slim, space-saving designs, this 1:1 modular dvLED video wall mount is a flexible solution that can be installed in any configuration (landscape, portrait or 45 degree angles). With depth adjustment, precision mount spacing, easy-hang hardware and a robust steel frame, integrators can quickly and easily build the perfect dvLED video wall. Peerless-AV® also offers start to finish support through the SEAMLESS dvLED Video Wall Integration Program. The Peerless-AV dvLED Solutions Team is there every step of the way to ensure every customer receives SEAMLESS product support and service.

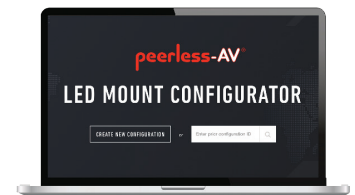


- Stockable 1:1 modular solution for quick order fulfillment
- Flexible design allows the installer to micro-adjust the depth from the front and back of the mount
- String alignment feature simplifies the vertical plane alignment process
- Gently install displays on the mount with the included interface bobbins



## SEAMLESS by Peerless-AV® - LED Video Wall Integration Program offers:

 EXPERT TEAM	 MARKETING SUPPORT	 CUSTOM CAPABILITY	 DEDICATED LED MOUNTING SOLUTIONS
 PRECISION ENGINEERING	 LIGHTWEIGHT DESIGN	 INSTALLER FRIENDLY	 CERTIFIED TRAINING



Visit [Peerless-AV.com/SEAMLESS](http://Peerless-AV.com/SEAMLESS) to get your project started!

**DS-LEDM-A27** SEAMLESS Connect Series dvLED Mounting System for Absen Acclaim Plus and Acclaim Pro Series Direct View LED Displays

**Product Specifications**

	DIMENSIONS (W x H x D)	PRODUCT WEIGHT	LOAD CAPACITY	FINISH	COLOUR
<b>DS-LEDM-A27</b>	24.60" x 14.09" x 1.88" - 2.23" (625 x 358 x 48 - 57mm)	4.8lb (2.2kg)	88lb (40kg)	Powder Coat	Black

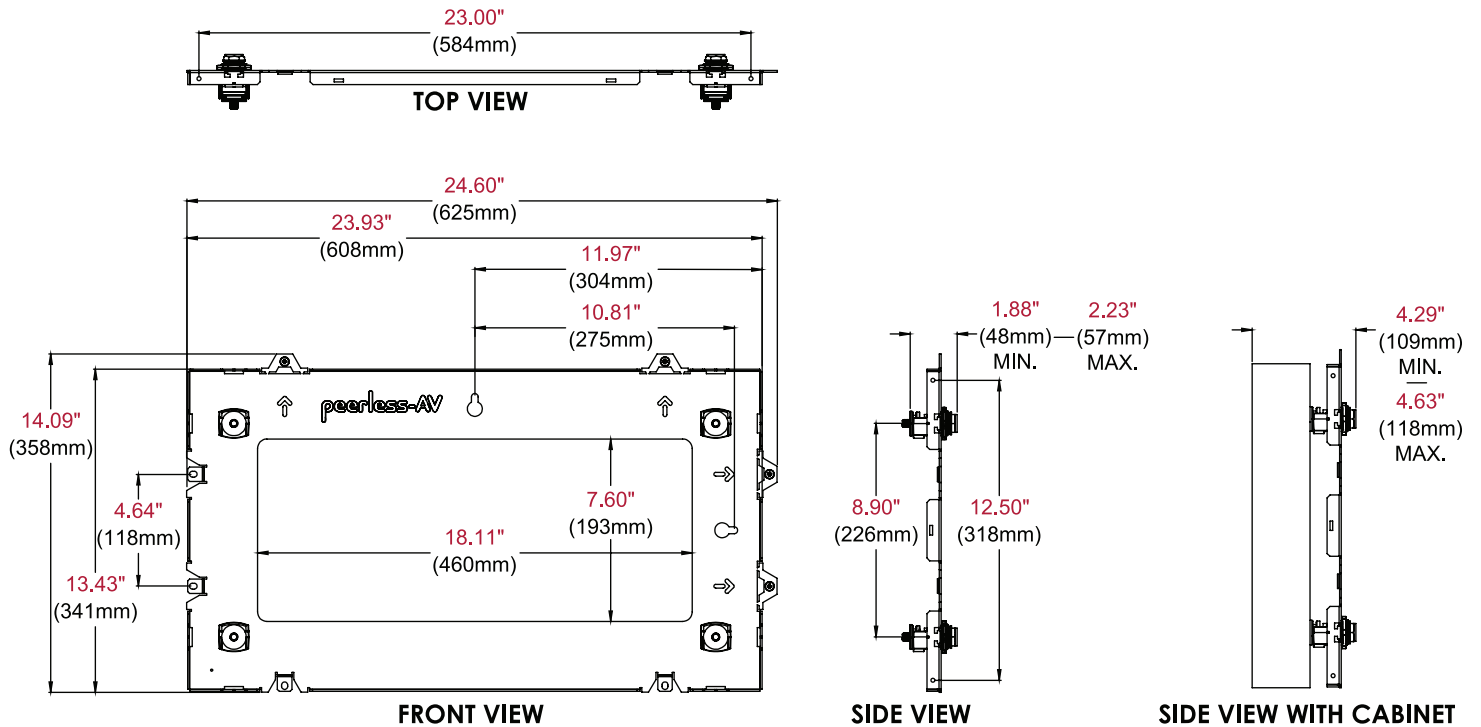
**Package Specifications**

	PACKAGE SIZE (W x H x D)	PACKAGE SHIP WEIGHT	PACKAGE UPC CODE	PACKAGE CONTENTS	UNITS IN PACKAGE
<b>DS-LEDM-A27</b>	28.00" x 17.00" x 2.00" (711 x 432 x 51mm)	6.4lb (2.9kg)	735029339441	Mount, Mounting Hardware & Depth Adjustment Key	1

**Accessories**

**DS-LEDTK Models:** Universal Trim Kit for dvLED Video Walls 89mm to 150mm deep

All dimensions = **inch** (mm)



**Peerless-AV Specifications**

When installing more than one display to a wood stud wall reinforced with plywood (minimum Grade BC, 1/2" (13mm) thick) that may be covered in gypsum board (drywall) up to 5/8" (16mm) thick, the mounting surface must be plumb (+/- .25" (6mm)) across the height of the video wall and straight (+/- .25" (6mm)) across the width of the video wall. When installing more than one display to a concrete or cinder block wall, the mounting surface must be plumb (+/- .25" (6mm)) across the height of the video wall and straight (+/- .25" (6mm)) across the width of the video wall.

**Architect Specifications**

The SEAMLESS Connect Series dvLED Mounting System shall be a Peerless-AV model DS-LEDM-A27 and shall be located where indicated on the plans. Assembly and installation shall be done according to instructions provided by the manufacturer.

Visit [peerless-av.com](http://peerless-av.com) to see the complete line of AV solutions from Peerless-AV, including outdoor displays, kiosks, digital audio, display mounts, projector mounts, carts/stands, and a full assortment of accessories.

**Peerless-AV**  
2300 White Oak Circle  
Aurora, IL 60502 USA  
**(800) 865-2112**  
**(630) 375-5100**  
**Fax: (800) 359-6500**

**Peerless-AV EMEA**  
Unit 3 Watford Interchange  
Colonial Way, Watford  
Herts, WD24 4WP  
United Kingdom  
**+44 (0) 1923 200100**  
**Fax: +44 (0) 1923 200101**

**Peerless-AV Latin America**  
Av. de las Industrias 413  
Parque Industrial Escobedo  
General Escobedo, N.L.,  
México, 66062  
**+52 (81) 8384-8300**  
**Fax: +52 (81) 8384-8360**

