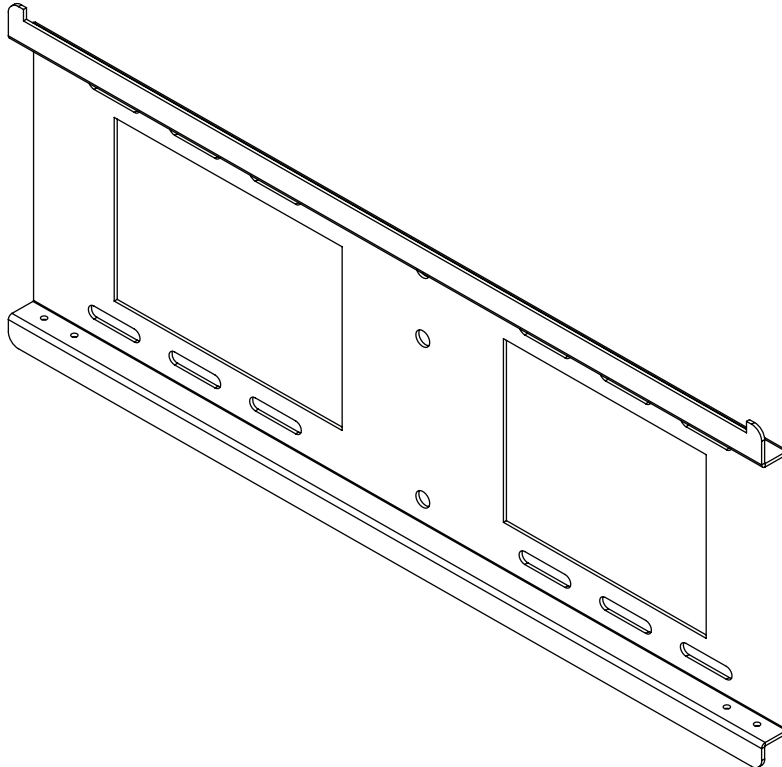




Installation and Assembly: 18" Wall Plate Accessory

Model: DS-VL-H018



Maximum Load Capacity: 150 lb (68 kg)

NOTE: Read entire instruction sheet before you start installation and assembly.

⚠ WARNING

- Do not begin to install your Peerless product until you have read and understood the instructions and warnings contained in this Installation Sheet. If you have any questions regarding any of the instructions or warnings, please call Peerless customer care at 1-800-865-2112.
- This product should only be installed by someone of good mechanical aptitude, has experience with basic building construction, and fully understands these instructions.
- Make sure that the supporting surface will safely support the combined load of the equipment and all attached hardware and components.
- Never exceed the Maximum Load Capacity. See page 1.
- If mounting to wood wall studs, make sure that mounting screws are anchored into the center of the studs. Use of an "edge to edge" stud finder is highly recommended.
- Always use an assistant or mechanical lifting equipment to safely lift and position equipment.
- Tighten screws firmly, but do not overtighten. Overtightening can damage the items, greatly reducing their holding power.
- This product is intended for indoor use only. Use of this product outdoors could lead to product failure and personal injury.
- This product was designed and intended to be mounted to the following supporting surfaces checked below with the hardware included in this product as specified in the installation sheet. To mount this product to an alternative supporting surface, contact Peerless customer care at 1-800-865-2112.
- This product was designed to be installed on the following wall construction only;

WALL CONSTRUCTION

ADDITIONAL HARDWARE REQUIRED

<input checked="" type="checkbox"/> Wood Stud	None
<input checked="" type="checkbox"/> Wood Beam	None
<input checked="" type="checkbox"/> Solid Concrete	Contact Customer Service
<input checked="" type="checkbox"/> Cinder Block	Contact Customer Service
<input type="checkbox"/> Metal Stud	Do not attach except with Peerless accessory kit for metal studs; Contact Customer Service for Peerless accessory kit for metal studs.
<input type="checkbox"/> Brick	Contact Customer Service
<input type="checkbox"/> Other or unsure?	Contact Customer Service

Tools Needed for Assembly

- stud finder ("edge to edge" stud finder is recommended)
- 5/16" socket wrench
- drill
- level
- 5/32" drill bit for wood studs
- 5/16" drill bit for concrete

Accessories:

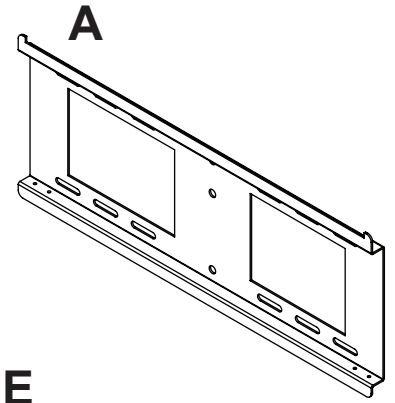
- DS-ACC-LDCM
cable management accessory (optional)
- ACC-DSV240 adapter brackets (optional)
- ACC-DSV329 adapter brackets (optional)
- ACC-DSV499 adapter brackets (optional)
- ACC-DSV503 adapter brackets (optional)
- ACC-DSV745 adapter brackets (optional)

Table of Contents

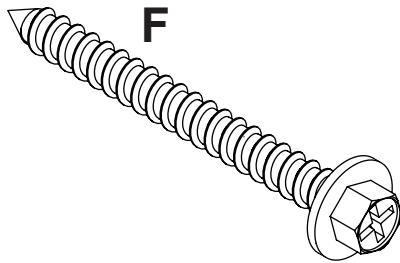
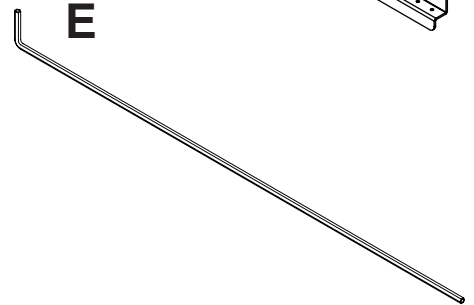
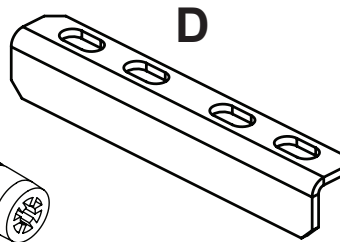
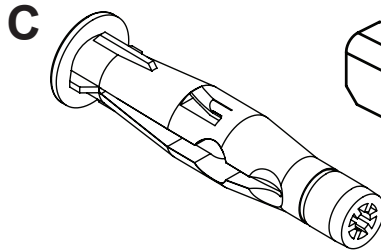
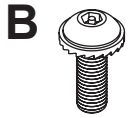
Parts List.....	3
Installation to Wood Stud Wall.....	4
Installation to Solid Concrete/Cinder Block walls	5

Before you begin, make sure all parts shown are included with your product.

PARTS LIST		
Description	Qty.	Part #
A wall plate	1	145-1218
B M4 x 12 mm socket pin serrated washer head screw	8	510-1079
C 8 mm concrete anchor	4	590-0320
D wall plate connector	2	024-1045
E 18" 4 mm allen wrench	1	560-1727
F # 14 x 2.5 hex head wood screw	4	5S1-015-C03



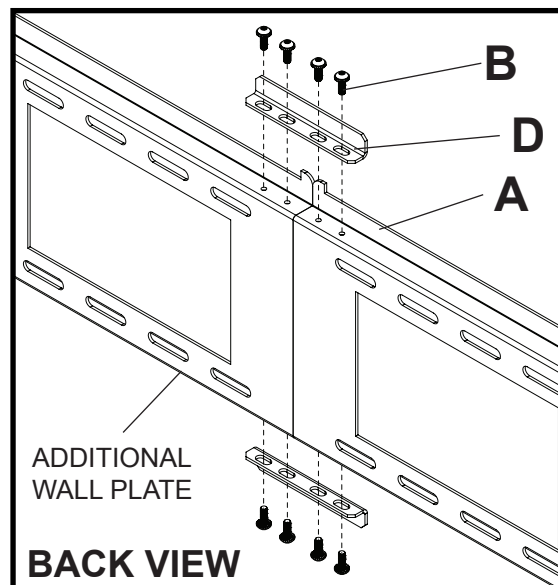
Some parts may appear slightly different than illustrated.



Installing Additional Wall Plates (optional)

- When installing additional wall plates (sold separately), attach two wall plate connectors (D) on either end of wall plate (A) and fasten with eight M4 x 12 serrated washer head socket pin screws (B) as shown below.

Skip to step 2 on page 5 for installation to solid concrete or cinder block walls.



Installation to Double Wood Stud Wall

⚠ WARNING

- Installer must verify that the supporting surface will safely support the combined load of the equipment and all attached hardware and components.
- Tighten wood screws so that wall plate is firmly attached, but do not overtighten. Overtightening can damage the screws, greatly reducing their holding power.
- Never tighten in excess of 80 in. • lb (9 N.M.).
- Make sure that mounting screws are anchored into the center of the stud. The use of an "edge to edge" stud finder is highly recommended.
- Hardware provided is for attachment of mount through standard thickness drywall or plaster into wood studs. Installers are responsible to provide hardware for other types of mounting situations.

- 2** Wall plate (**A**) can be mounted to four studs that are 16" apart. Use a stud finder to locate the edges of the studs. Use of an edge-to-edge stud finder is highly recommended. Based on their edges, draw a vertical line down each stud's center. Place wall plate on wall as a template. Level plate, and mark the center of the four mounting holes. Make sure that the mounting holes are on the stud center lines. Drill four 5/32" (4 mm) dia. holes 2.5" (65 mm) deep. Make sure that the wall plate is level, secure it using four #14 x 2.5" wood screws (**F**) as shown in figure 2.2.

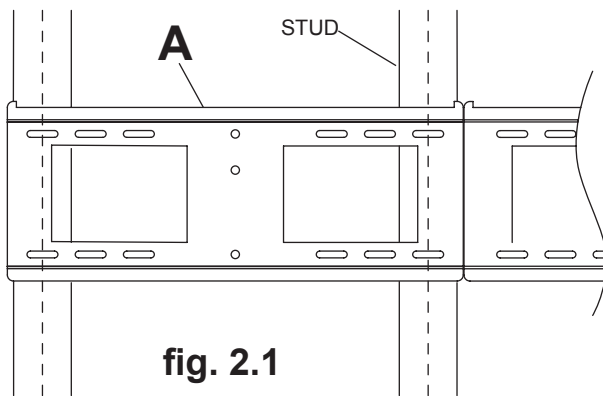


fig. 2.1

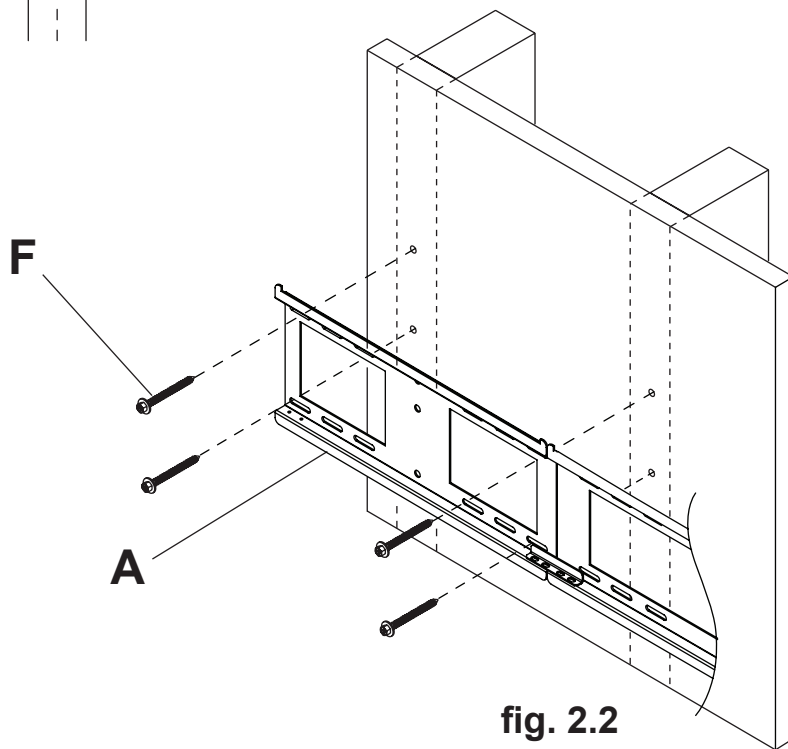


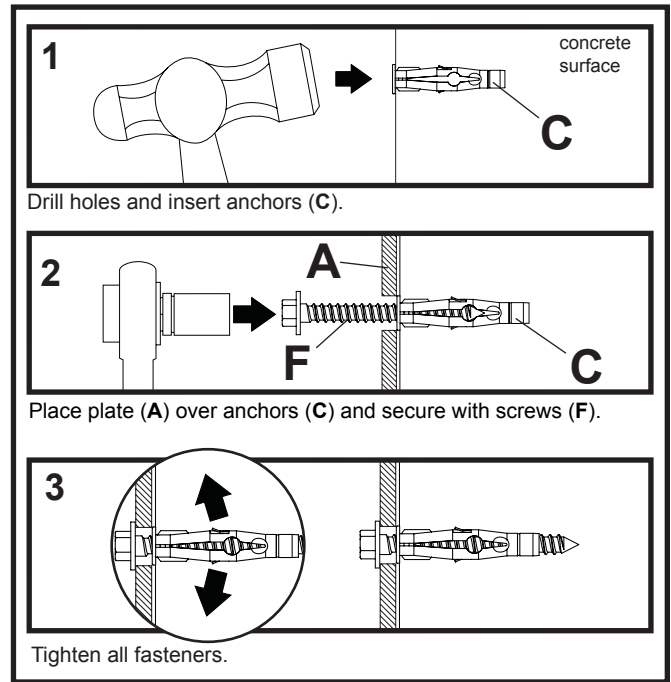
fig. 2.2

Installation to Solid Concrete or Cinder Block

⚠ WARNING

- When installing Peerless wall mounts on cinder block, verify that you have a minimum of 1-3/8" of actual concrete thickness in the hole to be used for the concrete anchors. Do not drill into mortar joints! Be sure to mount in a solid part of the block, generally 1" minimum from the side of the block. Cinder block must meet ASTM C-90 specifications. It is suggested that a standard electric drill on slow setting is used to drill the hole instead of a hammer drill to avoid breaking out the back of the hole when entering a void or cavity.
- Concrete must be 2000 psi density minimum. Lighter density concrete may not hold concrete anchor.
- Make sure that the supporting surface will safely support the combined load of the equipment and all attached hardware and components.

- 2** Make sure that wall plate (A) is level, use it as a template to mark four mounting holes. Drill four 5/16" (8 mm) dia. holes to a minimum depth of 2.5" (64 mm). Insert anchors (C) in holes flush with wall as shown (right). Place wall plate over anchors and secure with #14 x 2.5" screws (F). Level, then tighten all fasteners.

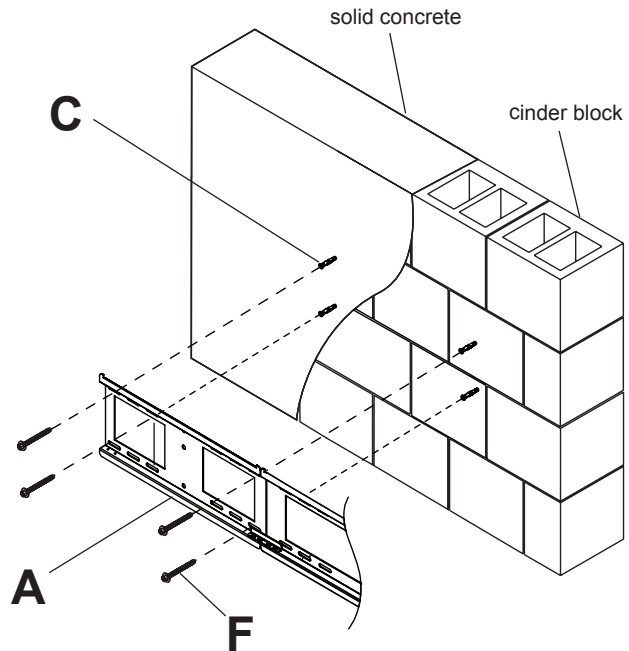
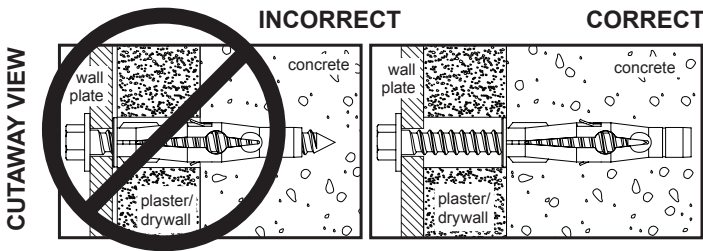


⚠ WARNING

- Tighten screws so that wall plate is firmly attached, but do not overtighten. Overtightening can damage screws, greatly reducing their holding power.
- Never tighten in excess of 80 in. • lb (9 N.M.).

⚠ WARNING

- Always attach concrete anchors directly to load-bearing concrete.
- Never attach concrete anchors to concrete covered with plaster, drywall, or other finishing material. If mounting to concrete surfaces covered with a finishing surface is unavoidable, the finishing surface must be counterbored as shown below. Be sure concrete anchors do not pull away from concrete when tightening screws. If plaster/drywall is thicker than 5/8", custom fasteners must be supplied by installer.



Installing Multiple Wall Plates and Screens (Optional)

3

Install adapter brackets (sold separately) to screens using adapter bracket instructions.

Multiple wall plates and adapter brackets (sold separately) can be used to create multiple screen displays.

