

DS-VW646-2X2



Display size
40"-46"



Max load
600lb (272kg)

SMARTMOUNT.

Flat Video Wall Mount, 2x2 Kit

FOR 40" TO 46" DISPLAYS*

Creating a 2x2 video wall is simple and cost effective with the Peerless-AV® DS-VW646-2X2 video wall kit. The single wall frame design is quickly installed and then you're ready to start hanging displays. Built in horizontal adjustment makes aligning displays easy. Due to the thin design, ADA compliance is a non issue with displays measuring 1.71" (43mm) deep or less.

The convenience of the 2x2 kit in a single sku makes the DS-VW646-2X2 easy to order and manage.



Additional Features

- ✓ 2x2 video wall mounting kit
- ✓ Horizontal adjustment makes mounting and aligning displays quick and easy
- ✓ Compatible with most displays 40"-46"
- ✓ Included security screws deter tampering and theft
- ✓ ADA compliant with displays measuring 1.71" (43mm) deep or less
- ✓ Includes adaptor rail alignment measuring plate to assist in the mounting of the displays
- ✓ Fully VESA® compliant

**A COMPLETE SOLUTION
IN ONE SKU**
2x2 video wall mounting kit



THIN DESIGN
ADA compliant
with screens
measuring 1.71"
deep or less

UNIVERSAL ADAPTOR RAILS
Horizontal adjustment makes
mounting and aligning displays
quick and easy



2x2 Mounting Kit



Profile with display
attached

* Please check compatibility formula with your display dimensions.



info@peerless-av.com
peerless-av.com

peerless-AV®

DS-VW646-2X2 SmartMount® Flat Video Wall Mount. 2x2 Kit for 40" to 46" Displays*

Product Specifications

* Please check compatibility formula with your display dimensions.

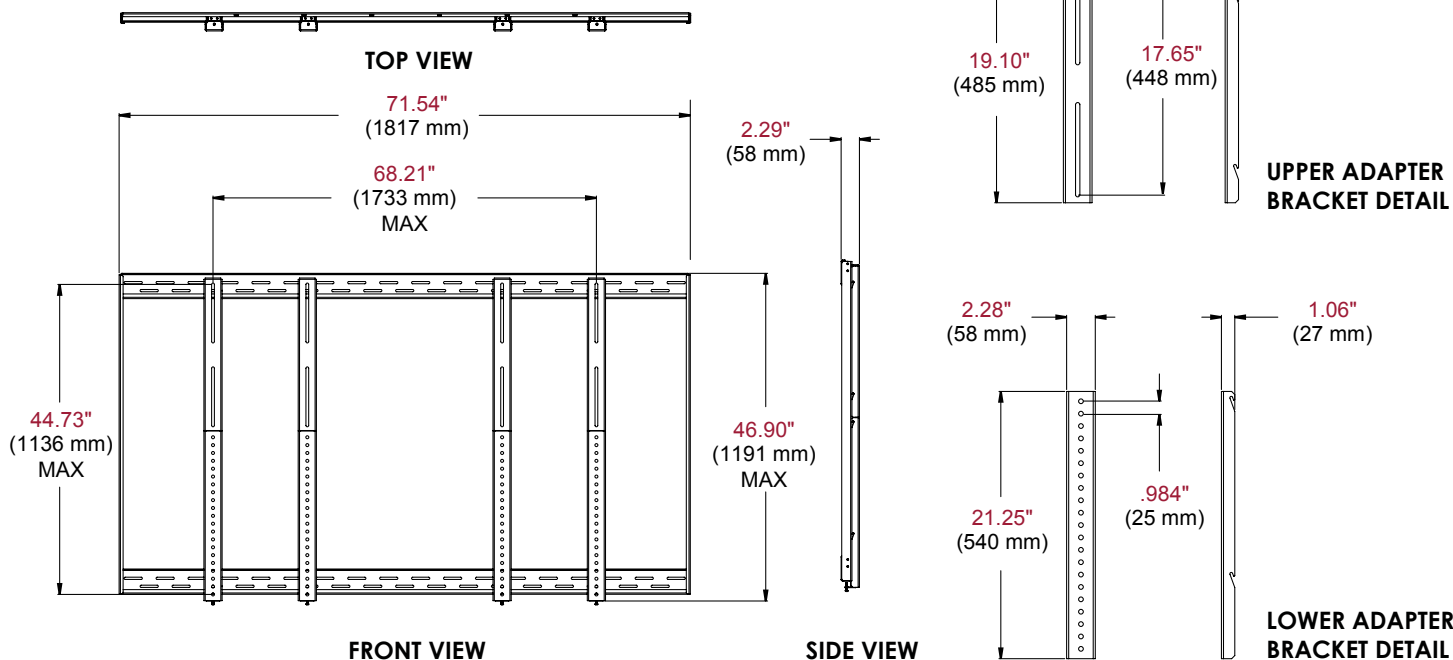
	DIMENSIONS (W x H x D)	PRODUCT WEIGHT	LOAD CAPACITY	FINISH	AVAILABLE COLORS
DS-VW646-2X2	71.54" x 41.54" x 2.29" (1817 x 1055 x 58mm)	55lb (25kg)	600lb (272kg)	Powder Coat	Black

Package Specifications

	PACKAGE SIZE (W x H x D)	PACKAGE SHIP WEIGHT	PACKAGE UPC CODE	PACKAGE CONTENTS	UNITS IN PACKAGE
DS-VW646-2X2	Box 1: 72" x 4" x 4" (1829 x 102 x 102mm) Box 2: 45.75" x 17.125" x 4.25" (1162 x 435 x 108mm)	63lb (28.6kg)	735029281924	Wall frame, adaptor rails, measuring plate and mounting hardware	1

All dimensions = inch (mm)

COMPATIBILITY FORMULA
 Display must be at least 36" wide and 20.75" high
 Width of the display + width of the mounting hole pattern < 1733 mm
 Height of the display + height of the mounting hole pattern < 1136 mm



Architect Specifications

The Smartmount® Flat Video Wall Mount. 2x2 Kit shall be a Peerless-AV model DS-VW646-2X2 and shall be located where indicated on the plans. Assembly and installation shall be done according to instructions provided by the manufacturer.

Visit peerless-av.com to see the complete line of AV solutions from Peerless-AV, including outdoor displays, wireless, kiosks, digital audio, display mounts, projector mounts, carts/stands, and a full assortment of accessories.

Peerless-AV
 2300 White Oak Circle
 Aurora, IL 60502 USA
(800) 865-2112
(630) 375-5100
Fax: (800) 359-6500

Peerless-AV Europe
 Unit 3 Watford Interchange
 Colonial Way, Watford
 Herts, WD24 4WP
 United Kingdom
+44 (0) 1923 200100
Fax: +44 (0) 1923 200101

Peerless-AV de México
 Ave de las Industrias 413
 Parque Industrial Escobedo
 Escobedo, N.L.,
 Mexico 66050
+52 (81) 8384-8300
Fax: +52 (81) 8384-8360

