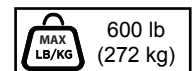
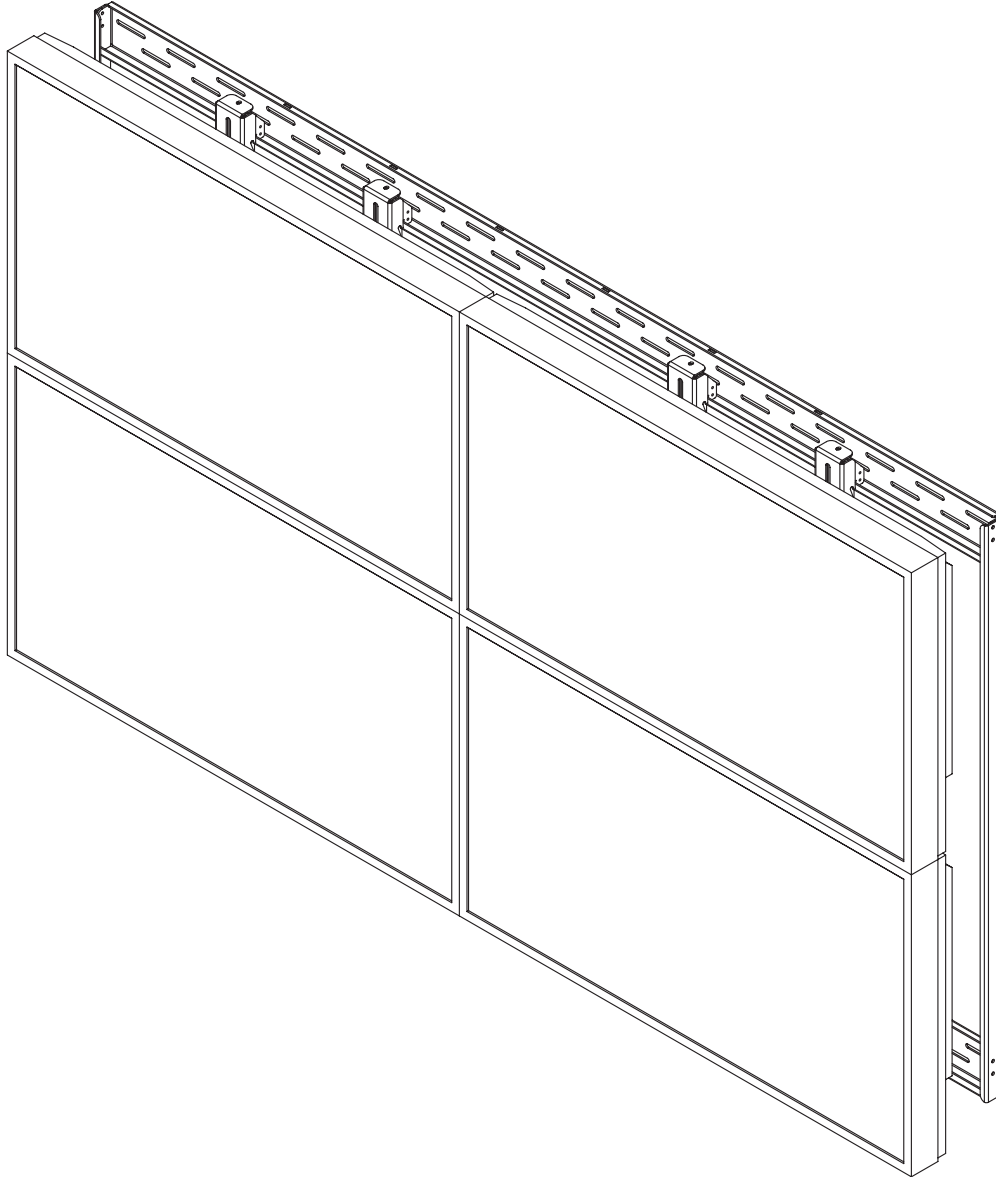


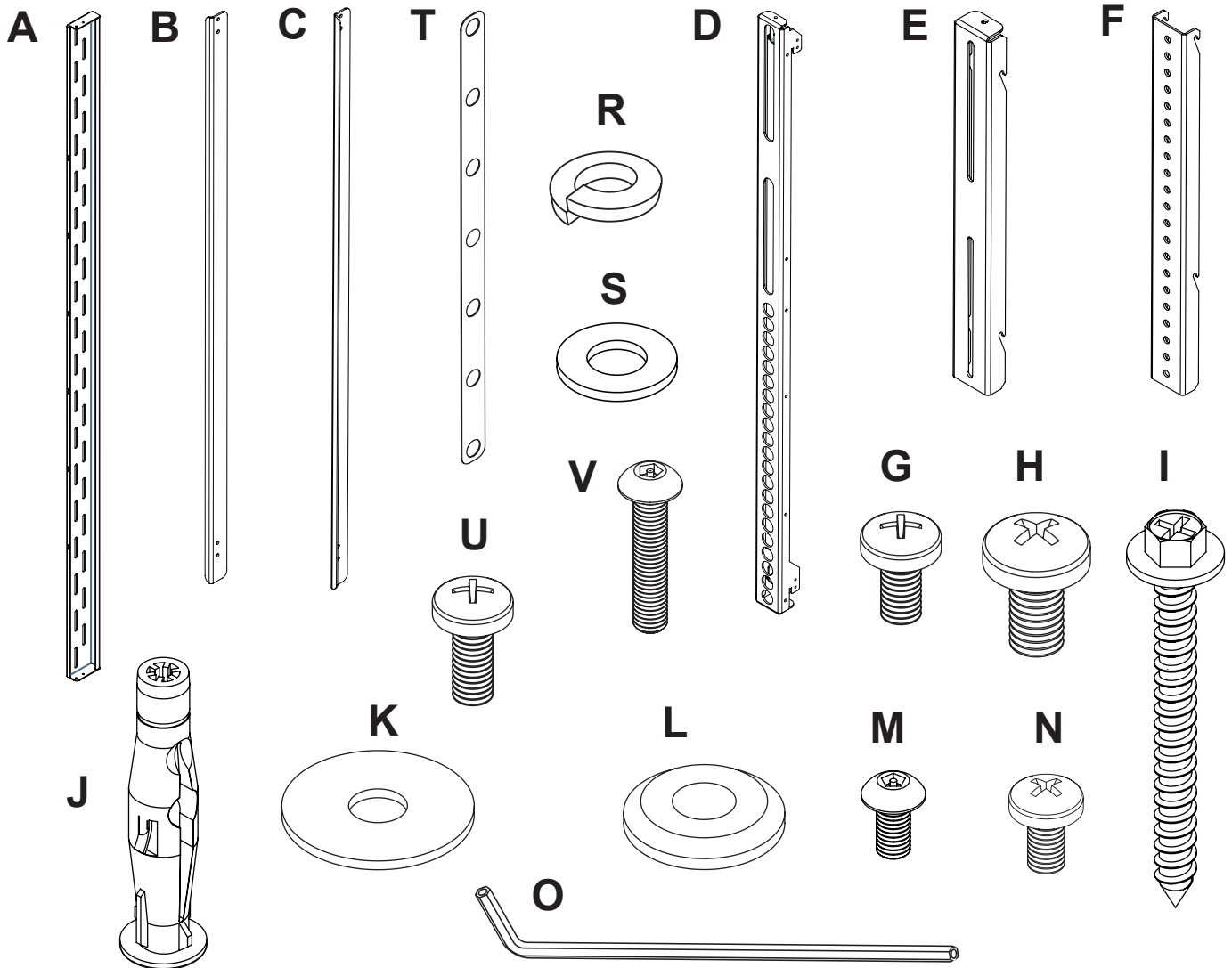
# peerless-AV<sup>®</sup>

## Installation and Assembly: 2 X 2 Wall Matrix

Model: DS-VW646-2X2, DS-VW660-2X2

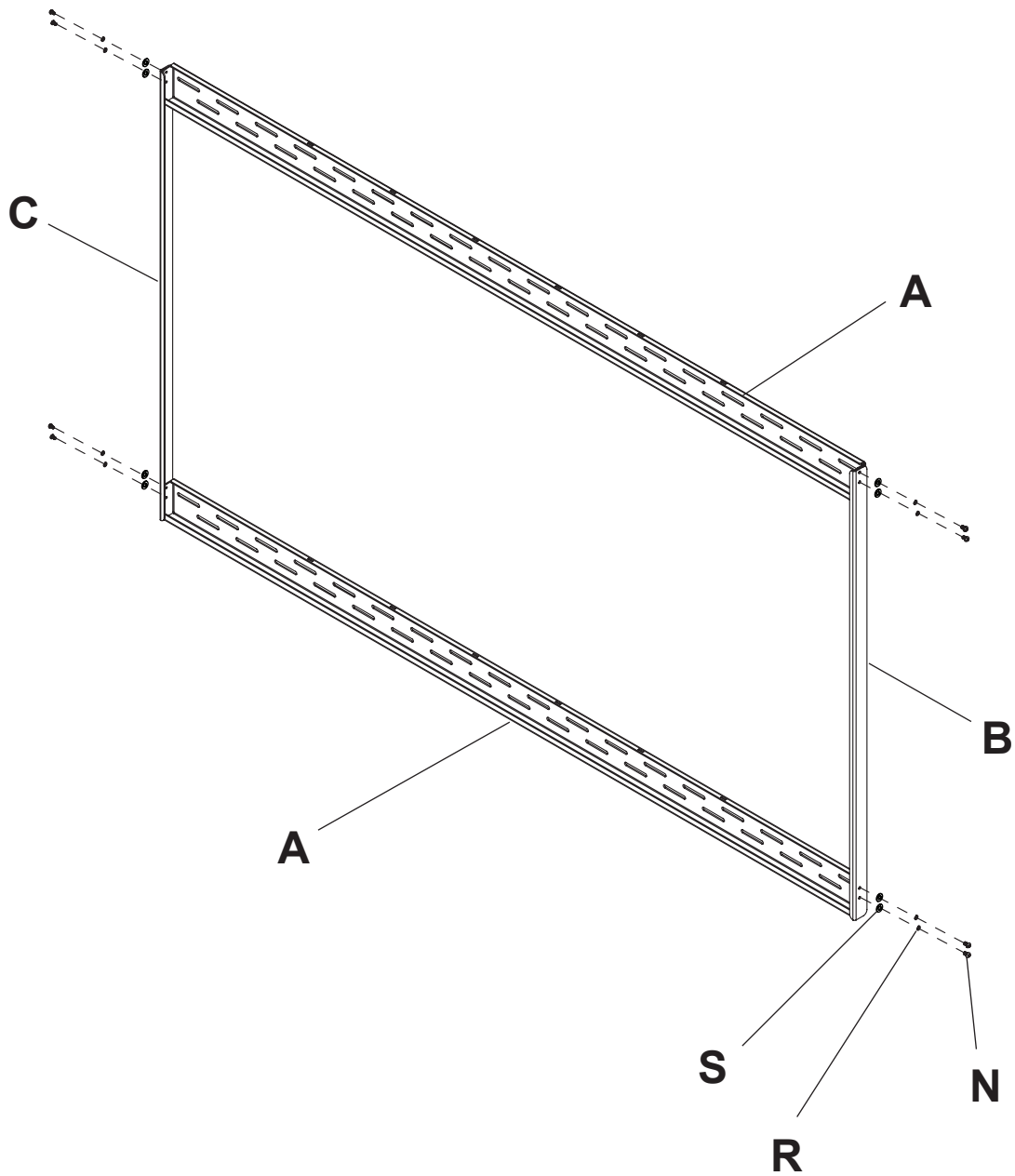


PARTS LIST		DS-VW646-2X2		DS-VW660-2X2	
Description	Qty.	Part #	Qty.	Part #	
A	2	145-1342	2	145-1428	
B	1	145-1345	1	145-1431	
C	1	145-1344	1	145-1430	
D	4	145-1356	4	145-1457	
E	4	145-1347	4	145-1433	
F	4	145-1348	4	145-1434	
G	16	520-1128	16	520-1128	
H	16	520-9257	16	520-9257	
I	8	5S1-015-C03	10	5S1-015-C03	
J	8	590-0320	10	590-0320	
K	16	540-1008	16	540-1008	
L	16	590-2233	16	590-2233	
M	8	520-1164	8	520-1164	
N	40	520-1027	40	520-1027	
O	4	560-9646	4	560-9646	
P	8	560-9711	8	560-9711	
Q	4	600-1014	4	600-1014	
R	8	540-1035	8	540-1035	
S	8	540-9400	8	540-9400	
T	1	145-1349	1	145-1349	
U	16	520-9274	16	520-9274	
V		N/A	4	520-1122	



## WALL PLATE ASSEMBLY

- 1 Attach two wall plates (**A**) together using left and right connection brackets (**B** and **C**) with eight M5 x 12 mm phillips screws (**N**), #10 flat washer (**S**), #10 lock washer (**R**) as shown below.



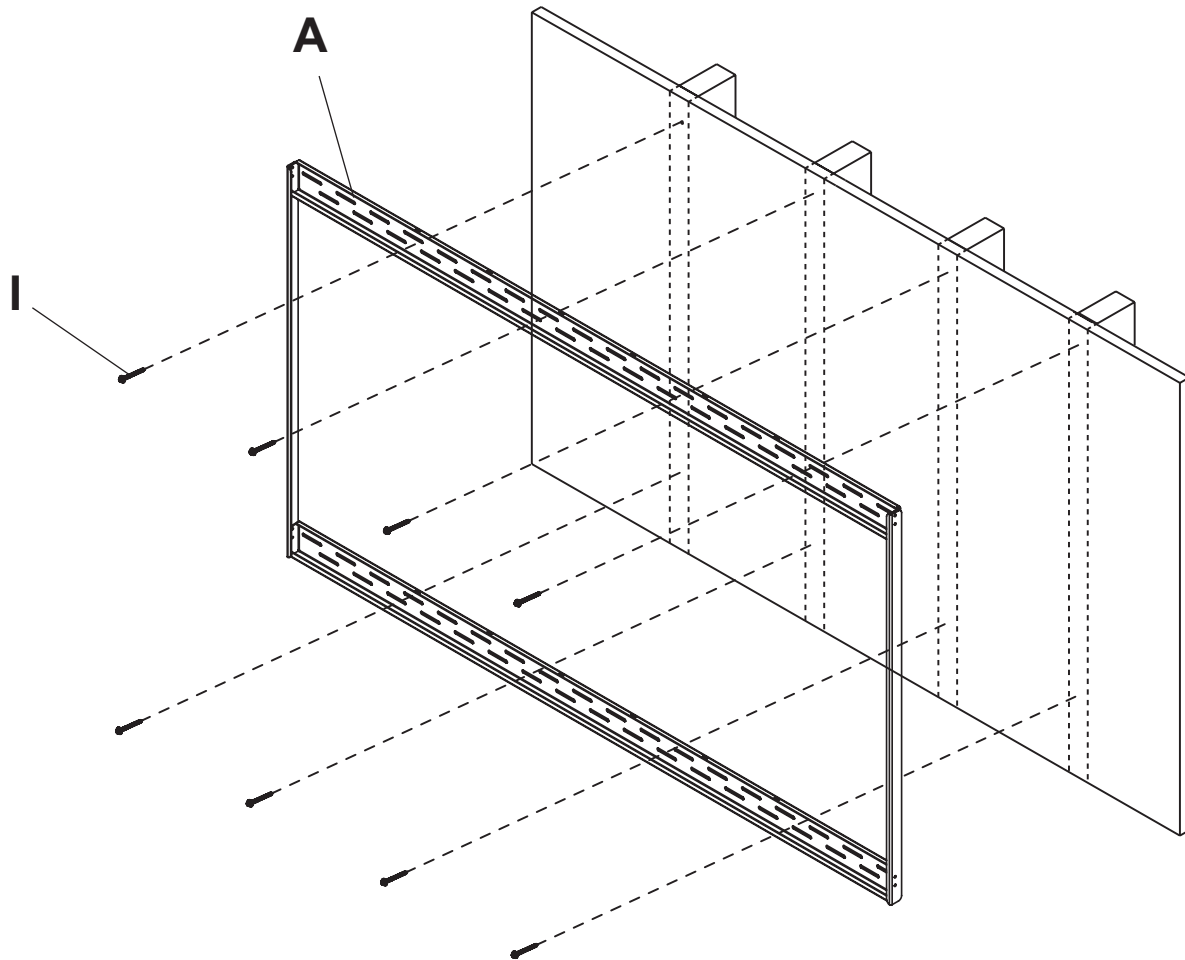
## Installation to Wall Stud

### ⚠ WARNING

- Installer must verify that the supporting surface will safely support the combined load of the equipment and all attached hardware and components.
- Tighten wood screws so that wall plate is firmly attached, but do not overtighten. Overtightening can damage the screws, greatly reducing their holding power.
- Never tighten in excess of 80 in. • lb (9 N.M.).
- Make sure that mounting screws are anchored into the center of the stud. The use of an "edge to edge" stud finder is highly recommended.
- Hardware provided is for attachment of mount through standard thickness drywall or plaster into wood studs. Installers are responsible to provide hardware for other types of mounting situations.

**2** Use a stud finder to locate the edges of the stud. Use of an edge-to-edge stud finder is highly recommended. Based on their edges, draw a vertical line down the stud center. Place wall plate assembly on wall as a template. Level plate, and mark the center of the eight mounting holes. Make sure that the mounting holes are on the stud center line. Drill eight 5/32" (4 mm) dia. holes 2-1/2" (65 mm) deep. Make sure that the wall plate assembly is level, secure it using eight #14 x 2.5" wood screws (**I**) as shown below.

**NOTE:** When installing DS-VW660-2x2 two additional #14 x 2.5" wood screws (**I**) are required.



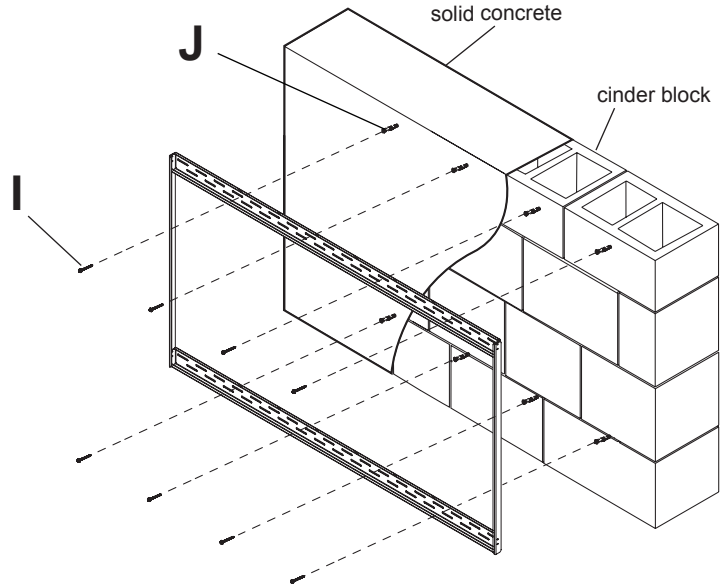
# Installation to Solid Concrete or Cinder Block

## ⚠ WARNING

- When installing Peerless wall mounts on cinder block, verify that you have a minimum of 1-3/8" (35 mm) of actual concrete thickness in the hole to be used for the concrete anchors. Do not drill into mortar joints! Be sure to mount in a solid part of the block, generally 1" (25 mm) minimum from the side of the block. Cinder block must meet ASTM C-90 specifications. It is suggested that a standard electric drill on slow setting is used to drill the hole instead of a hammer drill to avoid breaking out the back of the hole when entering a void or cavity.
- Concrete must be 2000 psi density minimum. Lighter density concrete may not hold concrete anchor.
- Make sure that the wall will safely support four times the combined load of the equipment and all attached hardware and components.

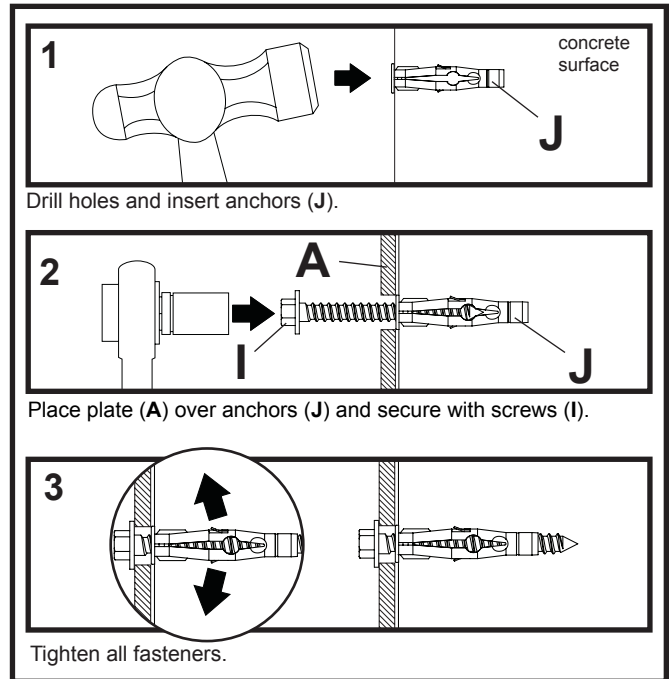
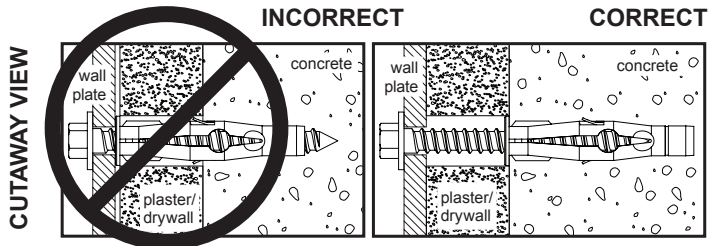
**2** Make sure that wall plate assembly is level, use it as a template to mark four mounting holes. Drill eight 1/4" (6 mm) dia. holes to a minimum depth of 2.5" (64 mm). Insert anchors (J) in holes flush with wall as shown (right). Place wall plate assembly over anchors and secure with eight #14 x 2.5" screws (I). Level, then tighten all fasteners.

**NOTE:** When installing DS-VW660-2x2 two additional #14 x 2.5" wood screws (I) and anchors (J) are required.

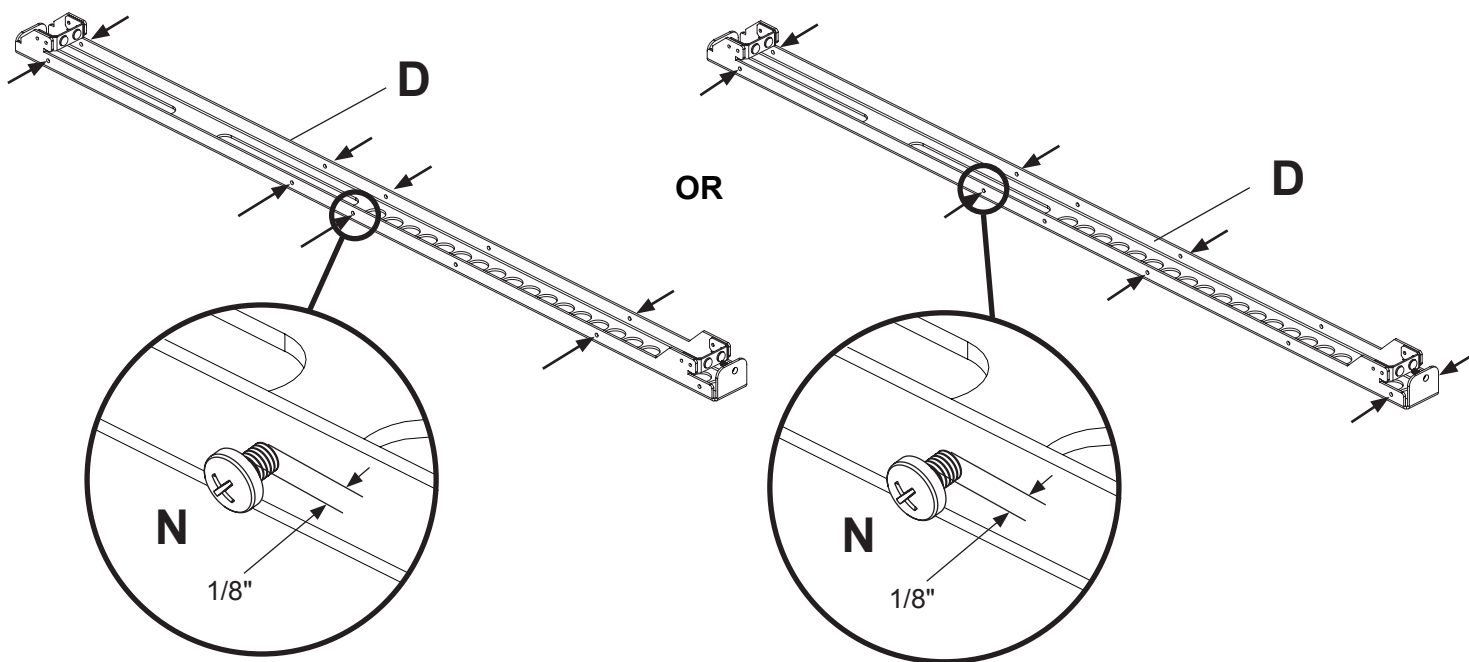


## ⚠ WARNING

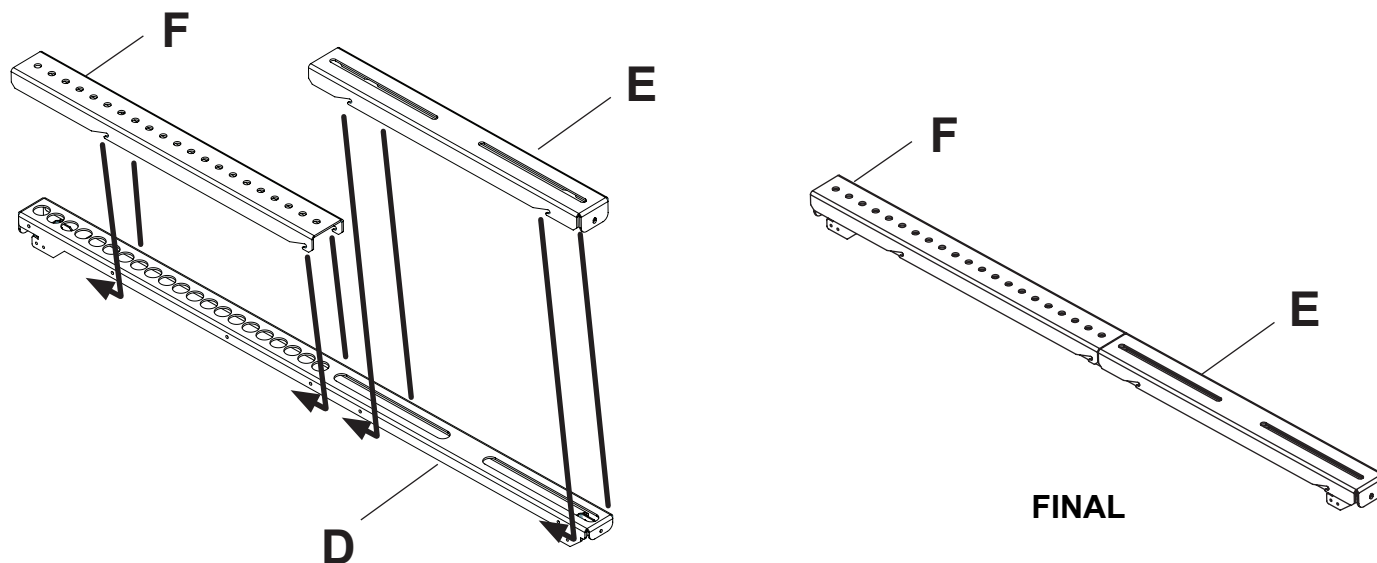
- Tighten screws so that wall plate is firmly attached, but do not overtighten. Overtightening can damage screws, greatly reducing their holding power.
- Never tighten in excess of 80 in. • lb (9 N.M.).
- Always attach concrete expansion anchors directly to load-bearing concrete.
- Never attach concrete expansion anchors to concrete covered with plaster, drywall, or other finishing material. If mounting to concrete surfaces covered with a finishing surface is unavoidable, the finishing surface must be counter bored as shown below. Be sure concrete anchors do not pull away from concrete when tightening screws. If plaster/drywall is thicker than 5/8" (16 mm), custom fasteners must be supplied by installer



- 3** **NOTE:** Determine Display being used and select orientation below.  
Fasten eight M5 x 12 mm phillips screws (**N**) into each hook on bracket (**D**) leaving 1/8" of exposed thread as shown below. Repeat step for all hook on brackets (**D**).

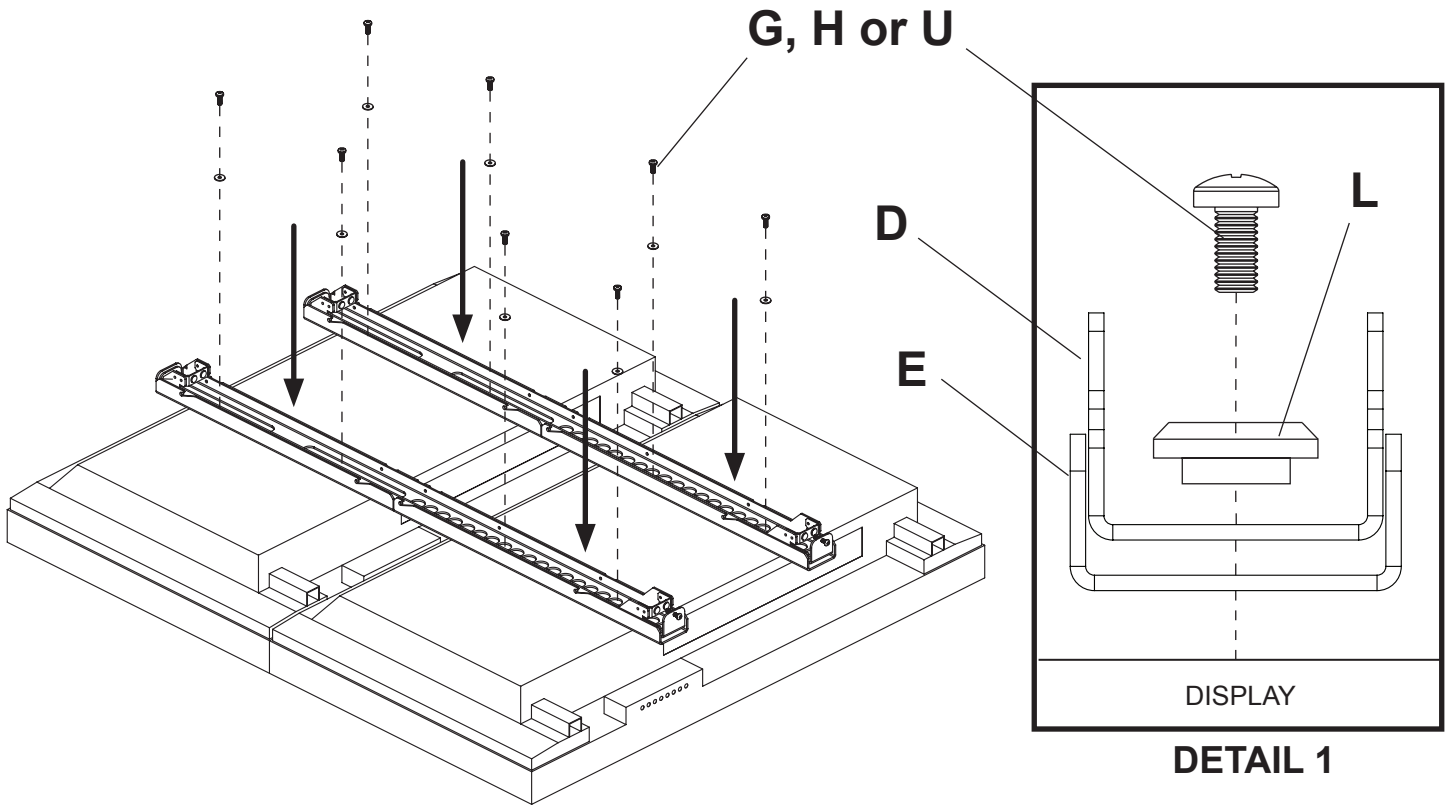


- 4** Hook one bottom adapter bracket (**F**) onto exposed threads on hook on bracket (**D**) as shown below.  
Hook one top adapter bracket (**E**) onto exposed threads on hook on bracket (**D**) as shown below.  
**NOTE:** Do not tighten screws on hook on bracket (**D**).

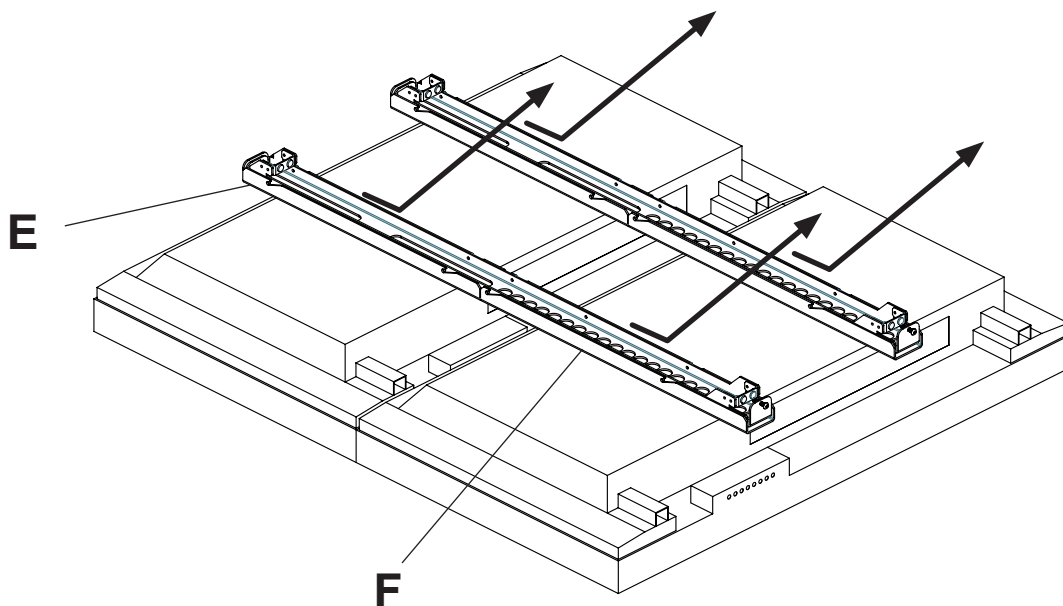


## ATTACHING ADAPTER BRACKETS TO DISPLAYS

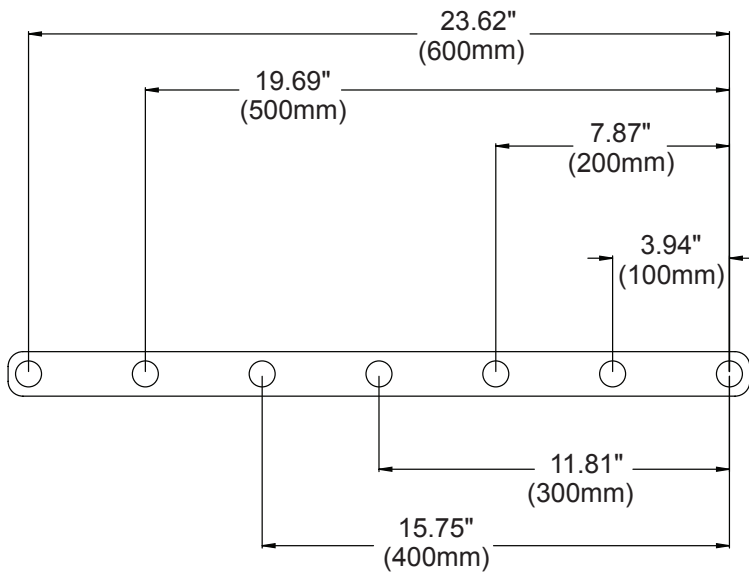
- 5** Attach top and bottom adapter brackets (**E and F**) to back of displays using eight M6 x 12 mm phillips screws (**G**) with nylon shoulder washer (**L**), or eight M8 x 15 mm phillips screws (**H**), or eight M6 x 16 mm phillips screws (**U**) as shown below.  
**NOTE:** Make sure that nylon shoulder washer (**L**) is position as shown in detail 1.



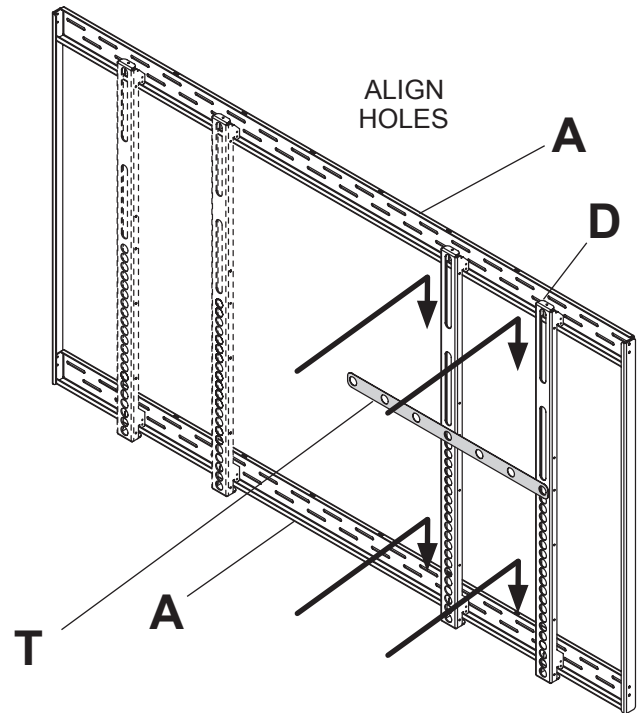
- 6** Un-hook hook on bracket (**D**) from top and bottom adapter brackets (**E and F**) as shown below.



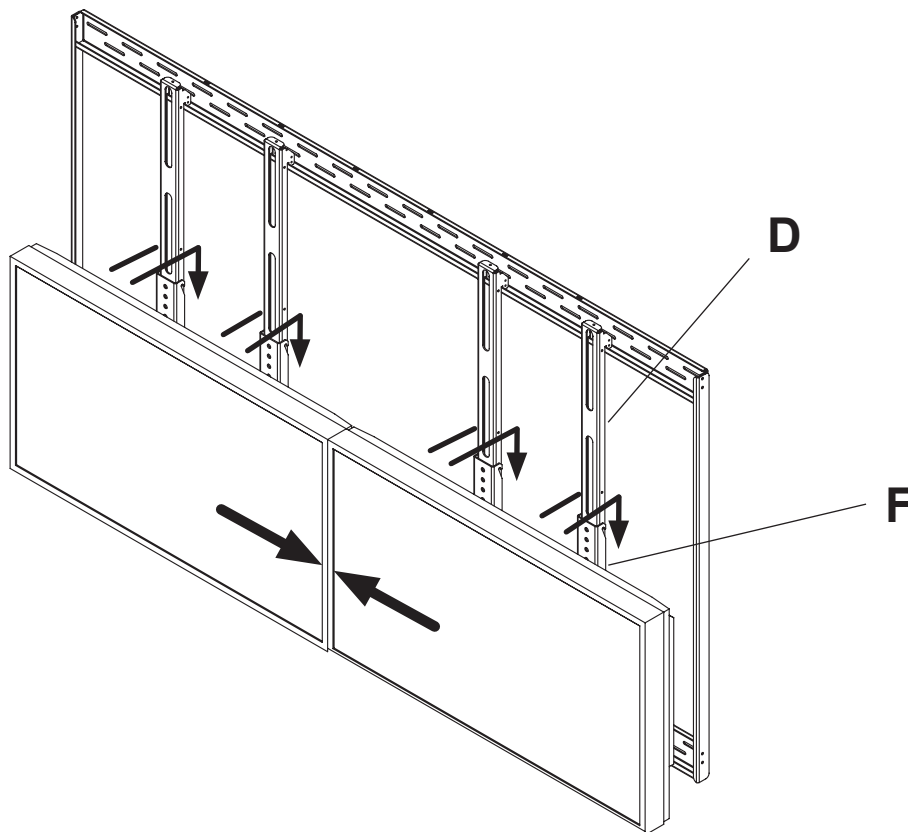
- 7** Attach two hook on brackets (**D**) onto wall plate (**A**) as shown. Determine screen VESA mounting pattern and use measure plate (**T**) to space hook on bracket as show below. Repeat step with remaining two hook on brackets (**D**).



**MEASURE PLATE DETAIL**

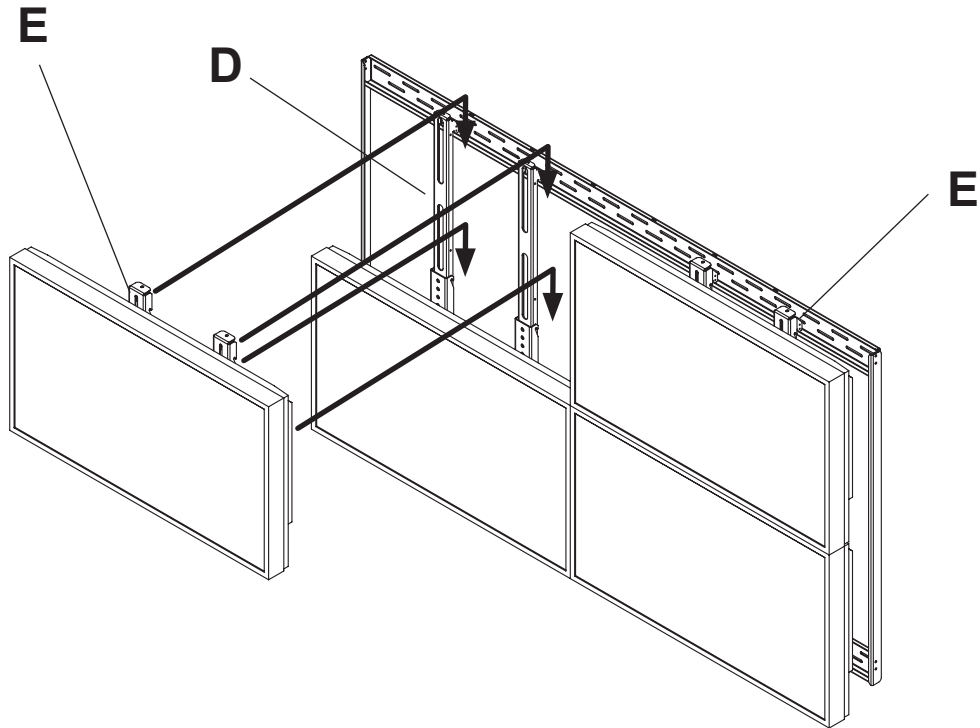


- 8** Hook bottom adapter brackets (**F**) onto exposed threads on hook on bracket (**D**) as shown below. Repeat step with second display. Slide displays together until they are flush with each other.

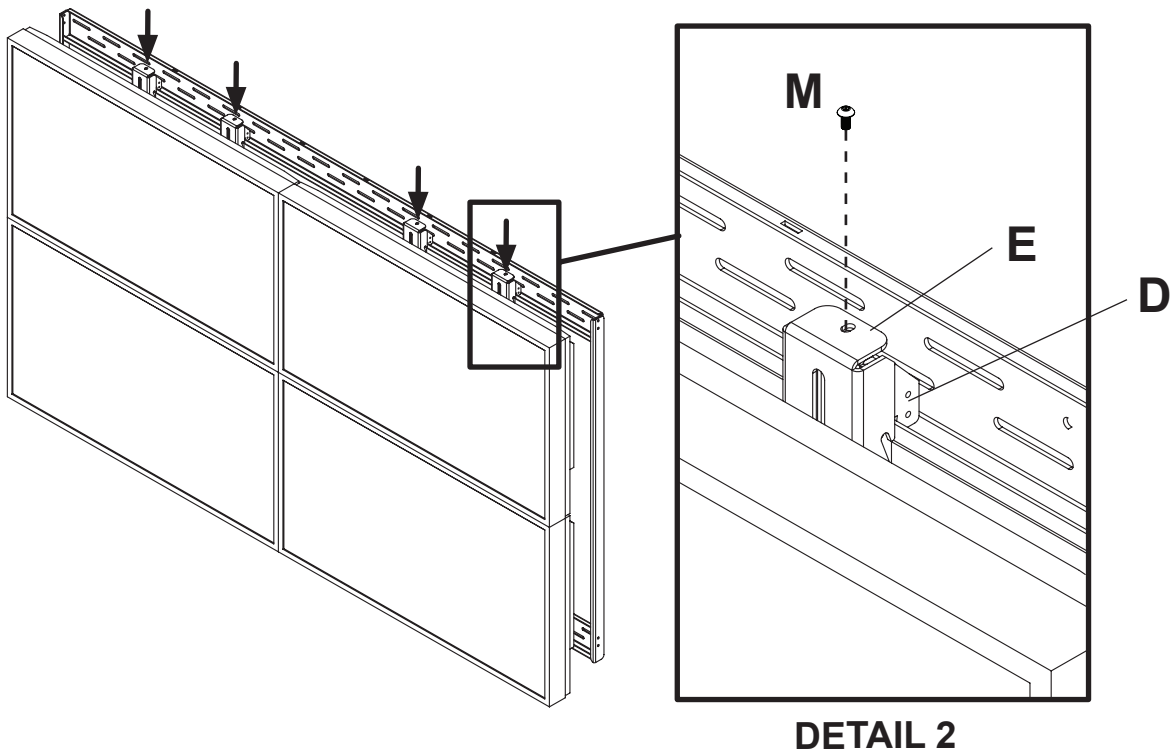




- 9** Hook one top adapter bracket (E) onto exposed threads on hook on bracket (D) as shown below. Repeat step with second display.

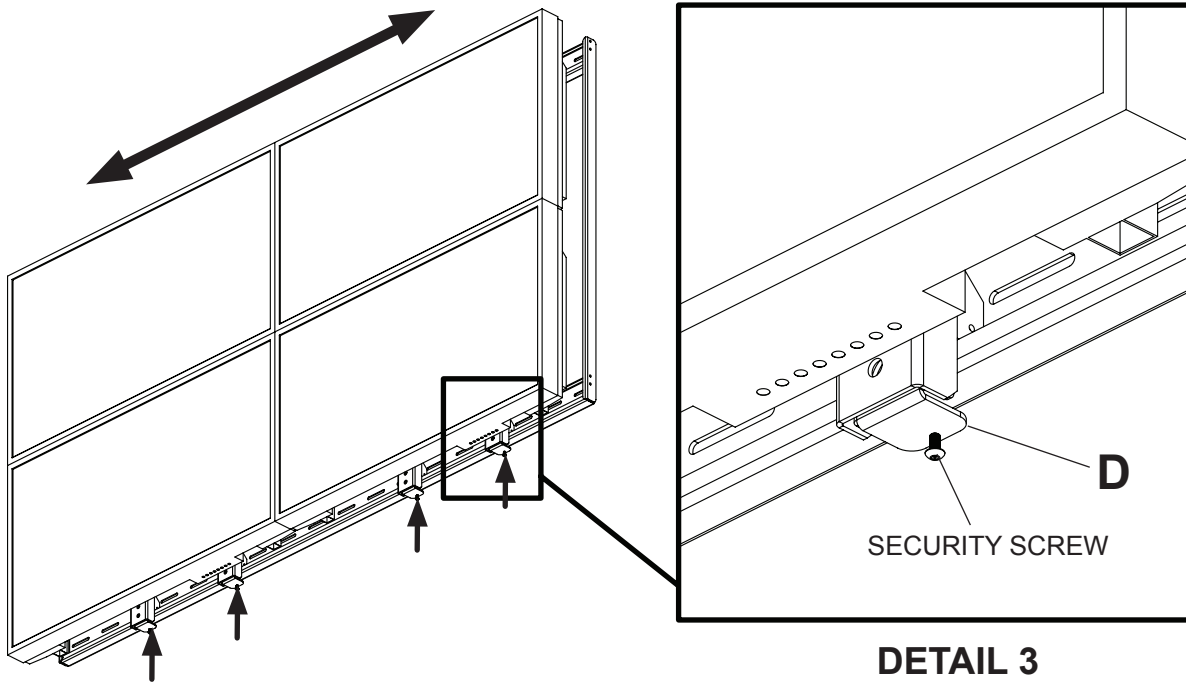


- 10** Secure top adapter brackets (E) to hook on brackets (D) using four M5 x 10 mm socket pin type-F screws (M) in positions as shown below.



## DS-VW646-2X2

- 11** Once displays are in desired position, secure using four security screws located on bottom of hook on brackets (D) as shown in detail 3.



## DS-VW660-2X2

- 11** Fasten four M5 x 25 mm socket pin screw (V) into bottom of hook on brackets (D) as shown in detail 4.

