

DS-VW660-2X2



Display size  
**47"-60"**



Max load  
**600lb (272kg)**

**SMARTMOUNT.**

# Flat Video Wall Mount, 2x2 Kit

FOR 47" TO 60" DISPLAYS\*

Creating a 2x2 video wall is simple and cost effective with the Peerless-AV® DS-VW660-2X2 video wall kit. The single wall frame design is quickly installed and then you're ready to start hanging displays. Built in horizontal adjustment makes aligning displays easy. Due to the thin design, ADA compliance is a non issue with displays measuring 1.71" (43mm) deep or less.

*The convenience of the 2x2 kit in a single sku makes the DS-VW660-2X2 easy to order and manage.*



## Additional Features

- ✓ 2x2 video wall mounting kit
- ✓ Horizontal adjustment makes mounting and aligning displays quick and easy
- ✓ Compatible with most displays 47"-60"
- ✓ Included security screws deter tampering and theft
- ✓ ADA compliant with displays measuring 1.71" (43mm) deep or less
- ✓ Includes adaptor rail alignment measuring plate to assist in the mounting of the displays
- ✓ Fully VESA® compliant

**A COMPLETE SOLUTION IN ONE SKU**  
2x2 video wall mounting kit



**THIN DESIGN**  
ADA compliant with screens measuring 1.71" deep or less

**UNIVERSAL ADAPTOR RAILS**  
Horizontal adjustment makes mounting and aligning displays quick and easy



2x2 Mounting Kit



Profile with display attached

\* Please check compatibility formula with your display dimensions.



info@peerless-av.com  
peerless-av.com

**peerless-AV®**

**DS-VW660-2X2** SmartMount® Flat Video Wall Mount. 2x2 Kit for 47" to 60" Displays\*

**Product Specifications**

\* Please check compatibility formula with your display dimensions.

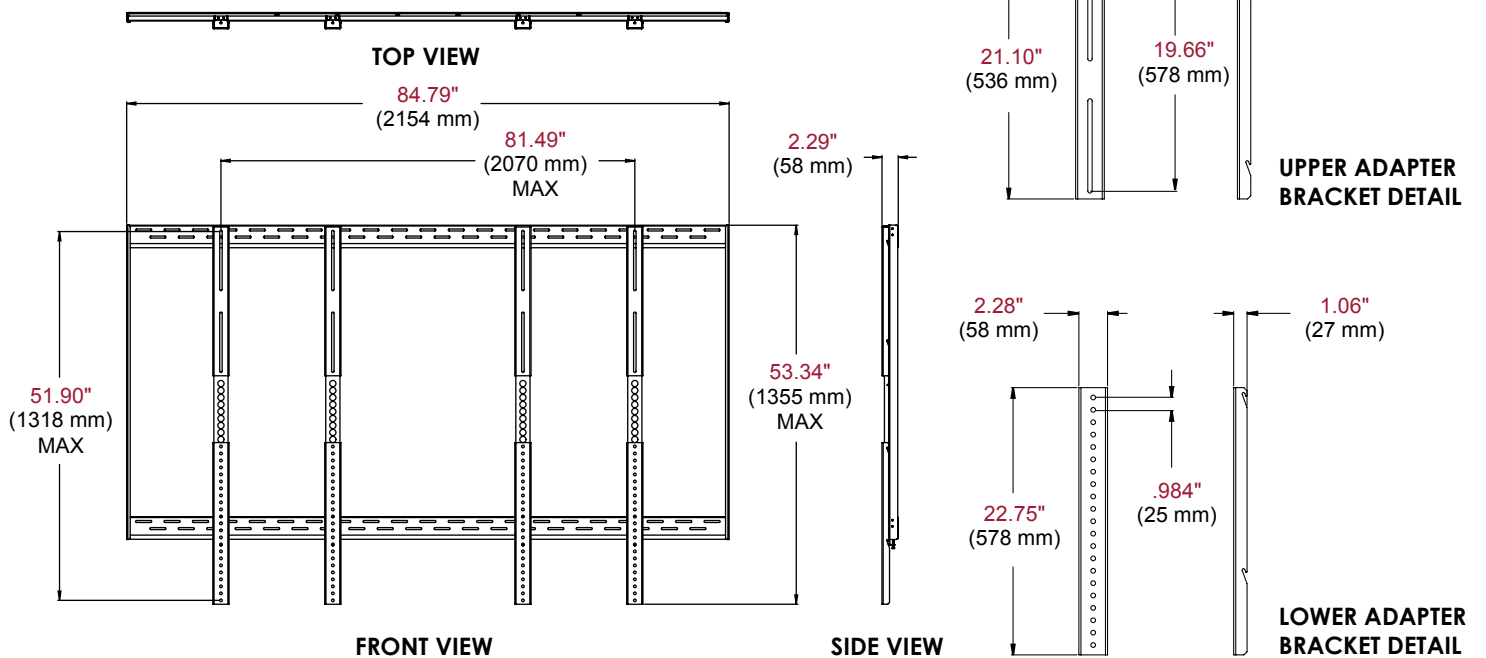
	DIMENSIONS (W x H x D)	PRODUCT WEIGHT	LOAD CAPACITY	FINISH	AVAILABLE COLORS
<b>DS-VW660-2X2</b>	84.79" x 45.53" x 2.29" (2153 x 1156 x 58mm)	60lb (27kg)	600lb (272kg)	Powder Coat	Black

**Package Specifications**

	PACKAGE SIZE (W x H x D)	PACKAGE SHIP WEIGHT	PACKAGE UPC CODE	PACKAGE CONTENTS	UNITS IN PACKAGE
<b>DS-VW660-2X2</b>	Box 1: 96" x 4" x 4" (2438 x 102 x 102mm)  Box 2: 47" x 12" x 3.75" (1194 x 305 x 95mm)	68lb (30.9kg)	735029281931	Wall frame, adaptor rails, measuring plate and mounting hardware	1

All dimensions = inch (mm)

**COMPATIBILITY FORMULA**  
 Display must be at least 42.5" wide and 23" high  
 Width of the display + width of the mounting hole pattern < 2070 mm  
 Height of the display + height of the mounting hole pattern < 1318 mm



**Architect Specifications**

The Smartmount® Flat Video Wall Mount. 2x2 Kit shall be a Peerless-AV model DS-VW660-2X2 and shall be located where indicated on the plans. Assembly and installation shall be done according to instructions provided by the manufacturer.

Visit [peerless-av.com](http://peerless-av.com) to see the complete line of AV solutions from Peerless-AV, including outdoor displays, wireless, kiosks, digital audio, display mounts, projector mounts, carts/stands, and a full assortment of accessories.

**Peerless-AV**  
 2300 White Oak Circle  
 Aurora, IL 60502 USA  
**(800) 865-2112**  
**(630) 375-5100**  
**Fax: (800) 359-6500**

**Peerless-AV Europe**  
 Unit 3 Watford Interchange  
 Colonial Way, Watford  
 Herts, WD24 4WP  
 United Kingdom  
**+44 (0) 1923 200100**  
**Fax: +44 (0) 1923 200101**

**Peerless-AV de México**  
 Ave de las Industrias 413  
 Parque Industrial Escobedo  
 Escobedo, N.L.,  
 Mexico 66050  
**+52 (81) 8384-8300**  
**Fax: +52 (81) 8384-8360**

